

Genesis® nG4, G4, G2LB, Avdelok®/Maxlok® Collar Cropper Instructions for Collar Cropper Attachment



Safety Rules

This technical datasheet must be read with particular attention to the safety rules listed in the appropriate Genesis® nG4, G4 or G2LB Instruction Manual and to the following safety rules, by any person fitting or operating the collar cropper on the Genesis® nG4, G4 or G2LB tools.

- 1 Do not use collar cropper outside the design intent printed below.
- 2 Do not use equipment or tools with this collar cropper other than those recommended and supplied by Avdel UK Limited.
- 3 The tool and collar cropper must be maintained in a safe working condition at all times. The operator must follow the daily and weekly service checks detailed in the Genesis® nG4, G4 or G2LB Instruction Manual.
- 4 The tool and collar cropper shall at all times be operated in accordance with the relevant health and safety legislation. Any question regarding the correct operation of the tool and operator safety should be directed to your local Avdel company or authorized representative.
- 5 Do not operate a tool that is pointed towards any person(s).
- 6 Do not operate the tool if it is not fitted with a complete collar cropper assembly.
- 7 **FINGERS AND ALL BODY PARTS MUST REMAIN CLEAR OF THE COLLAR CROPPER WHEN OPERATING THE TOOL.**
- 8 When using the tool and collar cropper, the wearing of safety glasses is required both by the operator and others in the vicinity to protect against ejection of debris. We recommend wearing gloves if there are sharp edges or corners on the application.
- 9 Take care to avoid entanglement of loose clothes, ties, long hair, cleaning rags etc., in the moving parts of the tool and collar cropper.
- 10 When carrying the tool from place to place keep hands away from the trigger to avoid inadvertent start up.
- 11 **THE AIR SUPPLY MUST BE DISCONNECTED WHEN FITTING OR REMOVING ANY NOSE ASSEMBLY.**

Intent of Use

The collar cropper attachment in combination with the Genesis[®] nG4, G4 or G2LB tool is designed for cutting and removing Avdelok[®] and Maxlok[®] collars from fasteners from 4.8mm (3/16") to 6.4mm (1/4"). The correct collar cropper kit must be selected for each fastener size and type as shown in the table on this page.

I M P O R T A N T

The tool and collar cropper must be used in accordance with the safety rules and fitting instructions contained within this datasheet. The cropping of other fastener sizes or materials not included in the table on this page could have a detrimental impact on the working life of the tool and collar cropper and could invalidate the warranty.

Refer to the assembly drawing in the appropriate tool manual - nG4, G4 or G2LB.

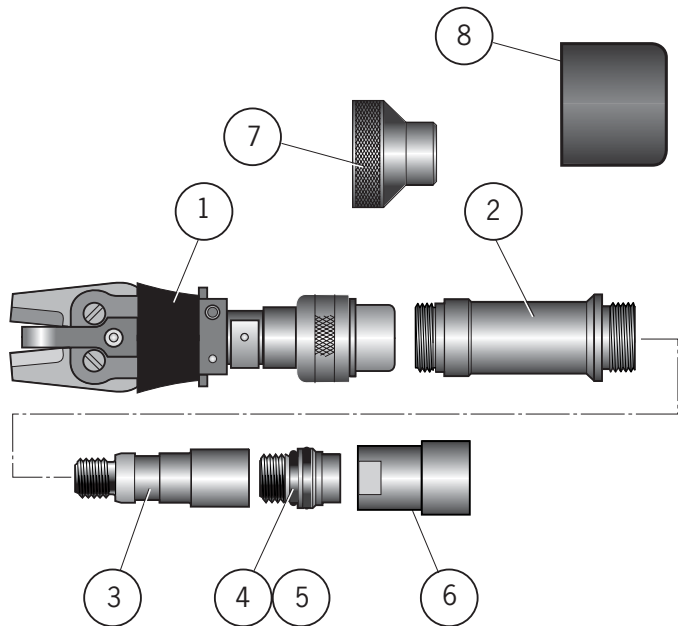
Item numbers in **bold** refer to the parts listed in the table below.

To prepare base tools to accept Collar Cropper equipment

- 1 Unscrew Jaw Spreader Housing 71210-02101, (Chuck Collet Adaptor 07610-00501 for G2LB). Remove Locknut 71210-02105 and Seal Housing 71210-02104. Remove Vacuum Sleeve 71230-02102 (applies to nG4 and G4 only).
- 2 Screw Stop Nut **6** fully onto the Piston by hand. Refit Jaw Spreader Housing 71210-02101, (**4** and **5**) supplied in kit for G2LB), screw fully onto the Piston before tightening Stop Nut **6** against it.
- 3 Remove the Stem Collector Bottle Assembly and replace with Safety Cap **7**. For nG4 tools fitted with Quick Release Collector Bottles remove this and fit Safety Cap **8**.

Fitting the Collar Cropper Assembly

- 1 Screw Collet Adaptor **3** onto Jaw Spreader Housing **4** and **5** and tighten.
- 2 Screw Anvil Adaptor **2** over the Collet Adaptor **3** into the front of the tool and tighten.
- 3 Attach Cropper Assembly **1*** by screwing the Cam Rod of the Assembly onto the Collet Adaptor **3**.
- 4 Complete attachment by screwing the Nose Retaining Nut of the Collar Cropper **1*** assembly onto the Anvil Adaptor **2**.



Collar Cropper Kits

ITEM	71230-20100	3/16 COLLAR CROPPER KIT - AVDELOK [®] / MAXLOK [®]
	71230-20110	1/4 COLLAR CROPPER KIT - AVDELOK [®]
	71230-20120	1/4 COLLAR CROPPER KIT - MAXLOK [®]
	Kits include:	
1*	07500-06800	Collar Cropper Assembly 3/16 Avdelok [®] /Maxlok [®]
1*	07500-06900	Collar Cropper Assembly 1/4 Avdelok [®]
1*	07500-05900	Collar Cropper Assembly 1/4 Maxlok [®]
2	07498-05001	Anvil Adaptor
3	07498-05002	Collet Adaptor
4	71210-02101	Jaw Spreader Housing
5	07003-00277	'O' Ring
6	71233-20300	Stop Nut Assembly - Collar Cropper
7	71210-20201	Safety Cap
8	71213-20201	Safety Cap - Quick Release Bottle
9	07900-00828	Collar Cropper Data Sheet

* Kit includes the specified Collar Cropper Assembly

Notes



Since 1922



Avdel® iForm™

Since 1 936

2010



Our Technology, Your Success

AUSTRALIA

Infastech (Australia) Pty Ltd.

891 Wellington Road
Rowville
Victoria 3178
Tel: +61 3 9765 6400
Fax: +61 3 9765 6445
info@infastech.com.au

CANADA

Avdel Canada Limited

1030 Lorimar Drive
Mississauga
Ontario L5S 1R8
Tel: +1 905 364 0664
Fax: +1 905 364 0678
infoAvdel-Canada@infastech.com

CHINA

Infastech (China) Ltd.

RM 1708, 17/F., Nanyang Plaza,
57 Hung To Rd., Kwun Tong
Hong Kong
Tel: +852 2950 0631
Fax: +852 2950 0022
infochina@infastech.com

FRANCE

Avdel France S.A.S.

33 bis, rue des Ardennes
BP4
75921 Paris Cedex 19
Tel: +33 (0) 1 4040 8000
Fax: +33 (0) 1 4208 2450
AvdelFrance@infastech.com

GERMANY

Avdel Deutschland GmbH

Klusriede 24
30851 Langenhagen
Tel: +49 (0) 511 7288 0
Fax: +49 (0) 511 7288 133
AvdelDeutschland@infastech.com

INDIA

Infastech Fastening Technologies

India Private Limited

Plot No OZ-14, Hi Tech SEZ,
SIPCOT Industrial Growth Center,
Oragadam, Sriperumbudur Taluk,
Kanchipuram District,
602105 Tamilnadu
Tel: +91 44 4711 8001
Fax: +91 44 4711 8009
info-in@infastech.com

ITALY

Avdel Italia S.r.l.

Viale Lombardia 51/53
20047 Brugherio (MI)
Tel: +39 039 289911
Fax: +39 039 2873079
vendite@infastech.com

JAPAN

Infastech Kabushiki Kaisha

Center Minami SKY,
3-1 Chigasaki-Chuo, Tsuzuki-ku,
Yokohama-city,
Kanagawa Prefecture
Japan 224-0032
Tel: +81 45 947 1200
Fax: +81 45 947 1205
info@infastech.co.jp

MALAYSIA

Infastech (Malaysia) Sdn Bhd

Lot 63, Persiaran Bunga Tanjung 1,
Senawang Industrial Park
70400 Seremban
Negeri Sembilan
Tel: +606 676 7168
Fax: +606 676 7101
info-my@infastech.com

SINGAPORE

Infastech (Singapore) Pte Ltd.

31 Kaki Bukit Road 3
#05-03/06 Techlink
Singapore, 417818
Tel: +65 6372 5653
Fax: +65 6744 5643
info-sg@infastech.com

SOUTH KOREA

Infastech (Korea) Ltd.

212-4, Suyang-Ri,
Silchon-Eup, Kwangju-City,
Kyunggi-Do, Korea, 464-874
Tel: +82 31 798 6340
Fax: +82 31 798 6342
info@infastech.co.kr

SPAIN

Avdel Spain S.A.

C/ Puerto de la Morcuera, 14
Poligono Industrial Prado Overa
Ctra. de Toledo, km 7,8
28919 Leganés (Madrid)
Tel: +34 91 3416767
Fax: +34 91 3416740
ventas@infastech.com

TAIWAN

Infastech/Tri-Star Limited

No 269-7, Baodong Rd,
Guanmiao Township,
71841 Tainan County,
Taiwan, R.O.C
Tel: +886 6 596 5798 (ext 201)
Fax: +886 6 596 5758
info-tw@infastech.com

UNITED KINGDOM

Avdel UK Limited

Pacific House
2 Swiftfields
Watchmead Industrial Estate
Welwyn Garden City
Hertfordshire AL7 1LY
Tel: +44 (0) 1707 292000
Fax: +44 (0) 1707 292199
enquiries@infastech.com

USA

Avdel USA LLC

614 NC Highway 200 South
Stanfield, North Carolina 28163
Tel: +1 704 888 7100
Fax: +1 704 888 0258
infoAvdel-USA@infastech.com

Manual No.	Issue	Change Note No.
07900-00828	B	07/044
	B2	07/103
	B3	07/375
	B4	11/018

www.avdel-global.com
www.infastech.com

Autosert® (equipment), Avbolt®, Avdel®, Avdelmate®, Avdel TX2000®, Avdelok®, Avex®, Avibulb®, Avinox®, Avinut™, Avlug®, Avmatic®, Avplas®, Avseal®, Avsert®, Avtainer®, Avtronic®, Briv®, Bulbex®, Chobert®, Eurosert®, Fastriv®, Finsert®, Genesis®, Grovit®, Hemlok®, Hexsert®, Holding your world together®, Hydra®, Interlock®, Klamp-Tite®, KlampTite KTR®, Kvex®, Maxlok®, Monobolt®, Monobulb®, Neobolt®, Nutsert®, Nutsert SQ®, Portariv®, Rivmatic®, Rivscrew®, Speed Fastening®, Squaresert®, Stavex®, Supersert®, Thin Sheet Nutsert®, Titan®, T-Lok®, TLR®, TSN®, TX2000®, Versa-Nut®, Viking® and Viking 360® are trademarks of Avdel UK Limited. Infastech™ and Our Technology, Your Success™ are trademarks of Infastech Intellectual Properties Pte Ltd. The names and logos of other companies mentioned herein may be trademarks of their respective owners. This document is for informational purposes only. Infastech makes no warranties, expressed or implied, in this document. Data shown is subject to change without prior notice as a result of continuous product development and improvement policy. Your local Avdel representative is at your disposal should you need to confirm latest information.