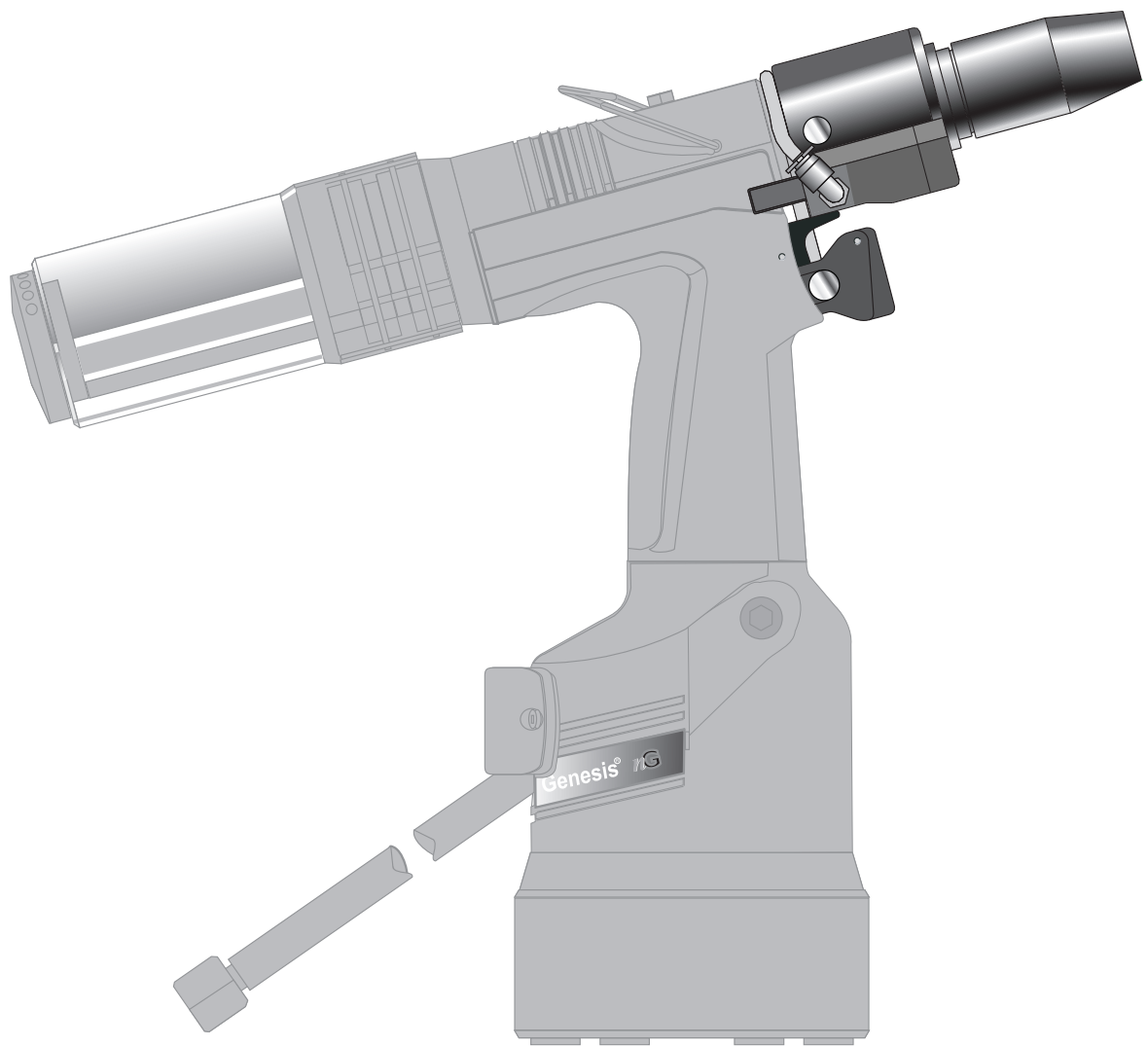




# Sensitive Nose Datasheet



Accessory For Genesis® Range

**71218-03100 & 71218-03200**



# Safety Rules

## Tool Specifications

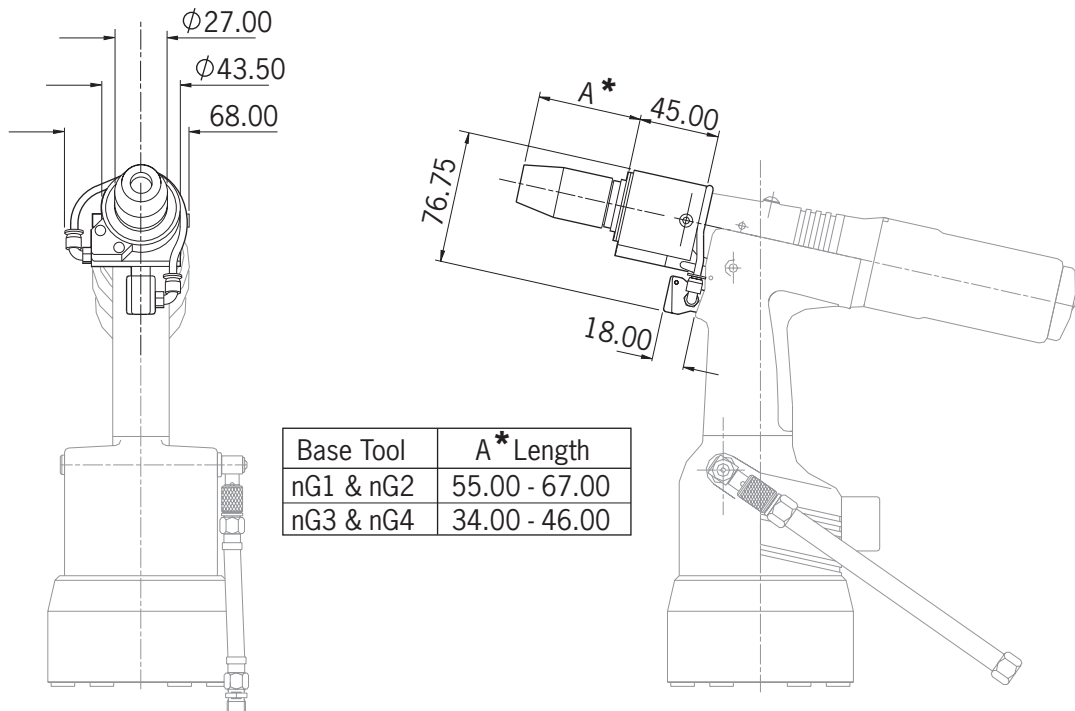
---

**This instruction manual must be read with particular attention to the following safety rules, by any person installing, operating, or servicing this tool.**

- 1** Do not use outside the design intent.
- 2** Do not use equipment with this tool/machine other than that recommended and supplied by Avdel UK Limited.
- 3** Any modification undertaken by the customer to the tool/machine, nose assemblies, accessories or any equipment supplied by Avdel UK Limited, or their representatives, shall be the customer's entire responsibility. Avdel UK Limited will be pleased to advise upon any proposed modification.
- 4** The tool/machine must be maintained in a safe working condition at all times and examined at regular intervals for damage and function by trained competent personnel. Any dismantling procedure shall be undertaken only by personnel trained in Avdel UK Limited procedures. Do not dismantle this tool/machine without prior reference to the maintenance instructions. Please contact Avdel UK Limited with your training requirements.
- 5** The tool/machine shall at all times be operated in accordance with relevant Health and Safety legislation. In the U.K. the "Health and Safety at Work etc. Act 1974" applies. Any question regarding the correct operation of the tool/machine and operator safety should be directed to Avdel UK Limited.
- 6** The precautions to be observed when using this tool/machine must be explained by the customer to all operators.
- 7** Always disconnect the air line from the tool/machine inlet before attempting to adjust, fit or remove a nose assembly.
- 8** Do not operate a tool/machine that is directed towards any person(s) or the operator.
- 9** Always adopt a firm footing or a stable position before operating the tool/machine.
- 10** Ensure that vent holes do not become blocked or covered.
- 11** The operating pressure shall not exceed 7 bar.
- 12** Do not operate the tool if it is not fitted with a complete nose assembly or swivel head unless specifically instructed otherwise.
- 13** Care shall be taken to ensure that spent stems are not allowed to create a hazard.
- 14** If the tool is fitted with a stem collector, it must be emptied when half full.
- 15** If the tool is fitted with a stem deflector, it should be rotated until the aperture is facing away from the operator and other person(s) working in the vicinity.
- 16** When using the tool, the wearing of safety glasses is required both by the operator and others in the vicinity to protect against fastener ejection, should a fastener be placed 'in air'. We recommend wearing gloves if there are sharp edges or corners on the application.
- 17** Take care to avoid entanglement of loose clothes, ties, long hair, cleaning rags etc. in the moving parts of the tool which should be kept dry and clean for best possible grip.
- 18** When carrying the tool from place to place keep hands away from the trigger/lever to avoid inadvertent start up.
- 19** Excessive contact with hydraulic fluid oil should be avoided. To minimize the possibility of rashes, care should be taken to wash thoroughly.
- 20** C.O.S.H.H. data for all hydraulic oils and lubricants is available on request from your tool supplier.

# Intent of Use

## Dimensions



## Intent of Use

The Sensitive Nose accessory is designed to ensure correct placing of fasteners using a Base Tool from the Genesis® range.

The Sensitive Nose accessory is available in two options:-

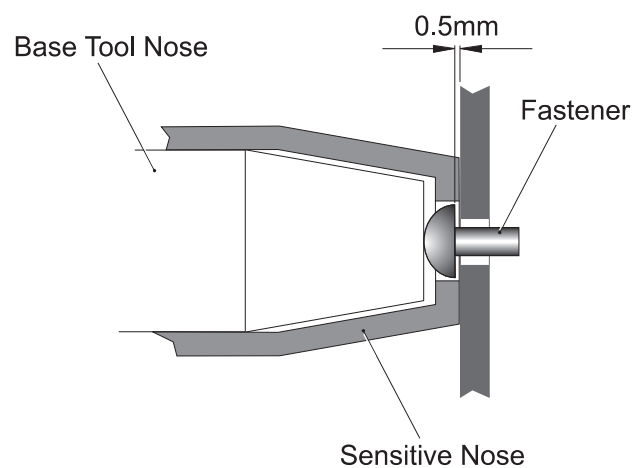
- The Sensitive Nose (71218-03100) requires Nose and Trigger activation to place fasteners.
- The Sensitive Nose with Blanked Trigger (71218-03200) requires Nose activation only to place fasteners.

For Fastener range refer to the Base Tool manual.

## Activation

### IMPORTANT

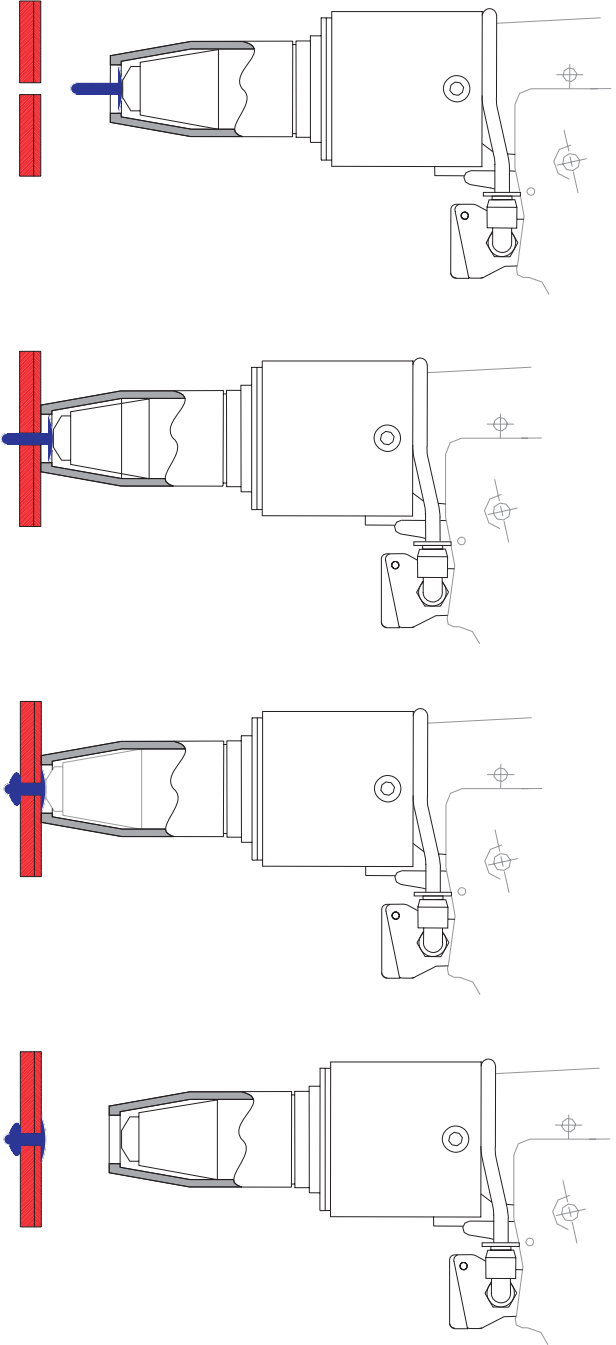
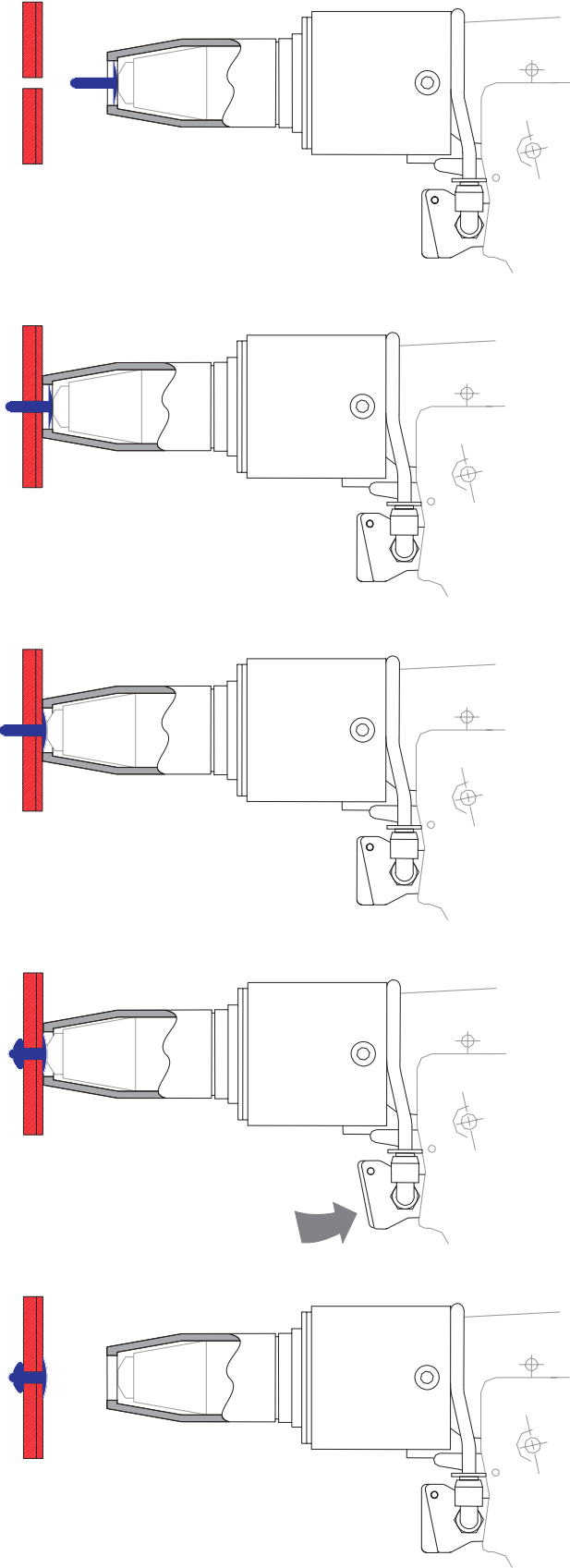
The air supply must be disconnected when fitting or removing nose assemblies.



# Placing Sequence

71218-03100

71218-03200



# Fitting Instructions

## Fitting

---

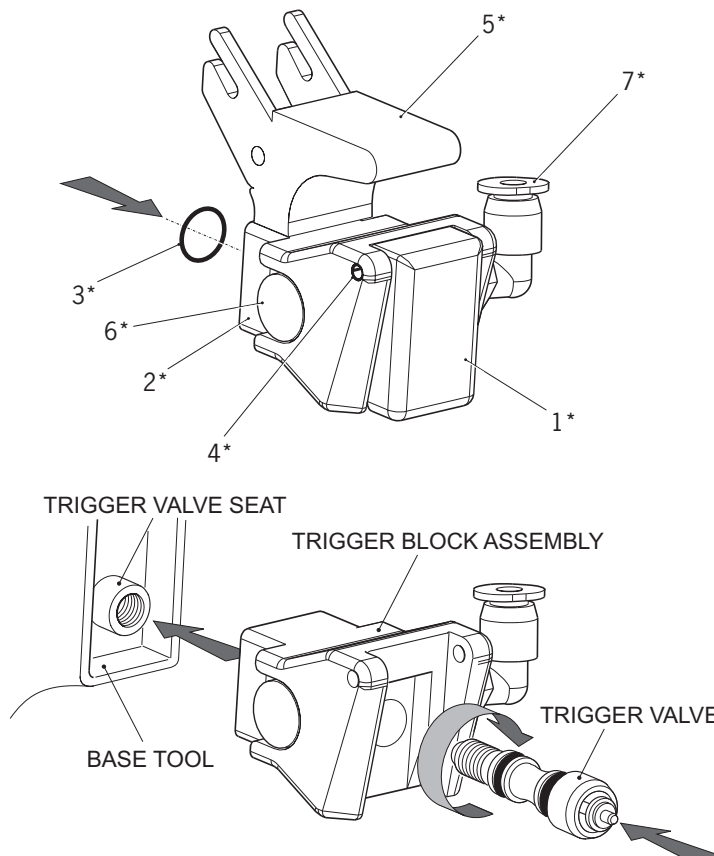
- Ensure the existing nose equipment is fitted correctly to the Base Tool.
- Using a 2mm Pin Punch (07900-00158) drive the Trigger Pin (71210-02024) out.
- Remove Trigger from the Base Tool.
- Remove the Trigger Valve (07005-00088) using the Trigger Valve Extractor (07900-00692).
- Fit the Modified Trigger (**5\***) into the Base Tool and insert the Trigger Pin (71210-02024) to retain the Modified Trigger.
- Using a 2mm Pin Punch (07900-00158), drive the Extended Trigger Pin (**4\***) out and remove the Trigger (**1\***).
- Fit 'O' Ring (**3\***) into Trigger Block (**2\***) and fit the Trigger Block Assembly into the trigger recess on the Base Tool.
- For **71218-03100** wind Trigger Valve (**23**) into the Trigger Valve Seat (71210-02002) on the Base Tool using the Trigger Valve Installation Adaptor (**24**).
- For **71218-03200** wind Blanked Trigger (**23**) into the Trigger Valve Seat (71210-02002) on the Base Tool using the Trigger Valve Installation Adaptor (**24**).
- Fit Trigger (**1\***) into the Trigger Block and insert the Extended Trigger Pin (**4\***) to retain the Trigger.
- If the base tool is an nG1 or nG2, fit the longer Nose Casing **2**, with Locking Ring **3**, into the Adjustment Arm **9**.
- If the base tool is an nG3 or nG4, fit the shorter Nose Casing **25**, with Locking Ring **3**, into the Adjustment Arm **9**.
- Fit the Nose Assembly onto the head of the Base Tool, ensuring the orientation of the location sections on the Housing (**5**) fit either side of the handle moulding.
- Fit the Connection Tube (**19**) between the Connector (**7\***) on the Trigger Block Assembly and the Connector (**21**) on the Sensitive Nose Assembly.

Items in **bold** refer to Sensitive Nose Assembly and parts List on page 10.

Items in **bold\*** refer to illustration below.

## Trigger Assembly

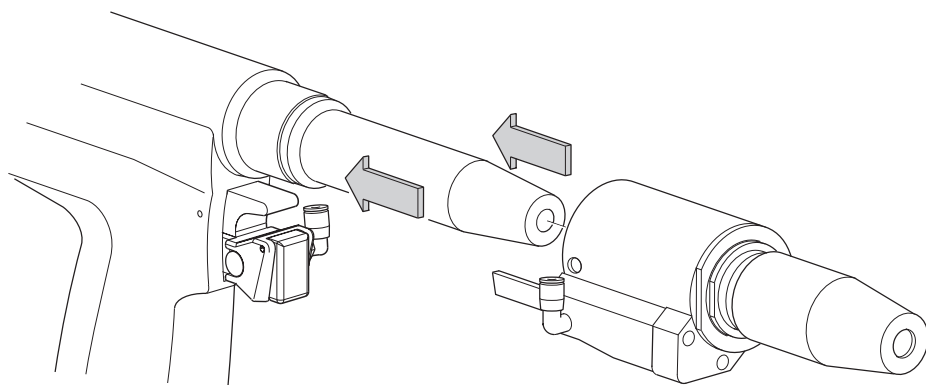
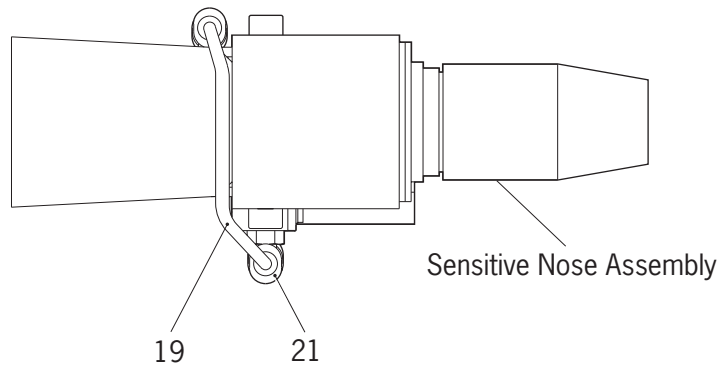
---



# Fitting Instructions

## Sensitive Nose

---

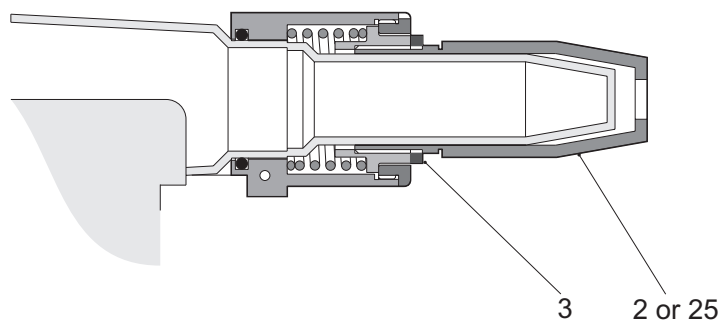


# Setting Instructions

## Coarse Adjustment

---

- To set the coarse adjustment, undo the Locking Ring (**3**) and adjust the Nose Casing (**2** or **25**) as necessary.
- For fasteners with increased head thickness, wind the Nose Casing (**2** or **25**) out.
- For fasteners with reduced head thickness, wind the Nose Casing (**2** or **25**) in.
- When the adjustment is set correctly, tighten the Locking Ring (**3**).



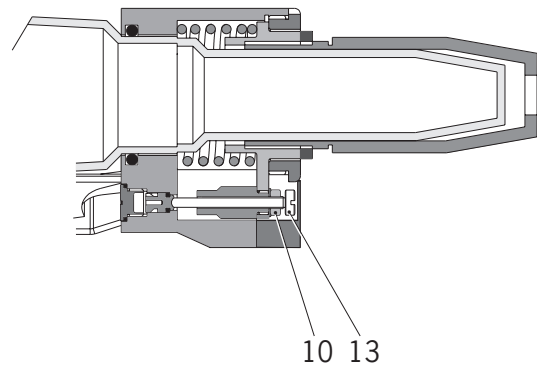
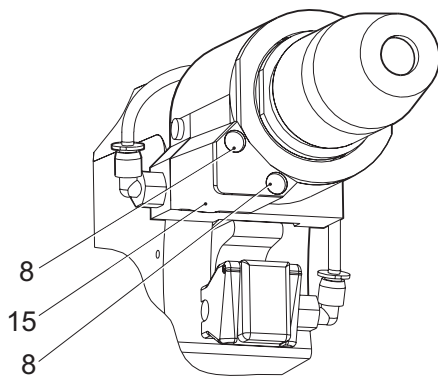
In the case of fitting an alternative Nose Casing, the activation point will need to be reset.

# Setting Instructions

## Fine Adjustment

---

- Remove the two Cover Retaining Screws (**8**) and take off Cover (**15**).
- To set the fine adjustment, undo the M3 Nut (**10**) and adjust the Plunger (**13**) as necessary.
  - For fasteners with increased head thickness, adjust the Plunger out.
  - For fasteners with reduced head thickness, adjust the Plunger in.
  - Note the Plunger should be set so that the tool actuates when the Nose Casing (**2** or **25**) is almost flush (less than 0.5mm gap) with the fastener (See page 5).
- When the adjustment is set correctly, tighten the Lock Nut (**10**).



In the case of fitting an alternative Nose Casing, the activation point will need to be reset.

## Testing

---

- Turn on the air supply.
- Insert the fastener stem into the nose of the tool. The fastener should remain held in by the vacuum system.
- The fastener should only be placed when the head is flush with the application. If this is not the case, adjust the trigger point as described previously.

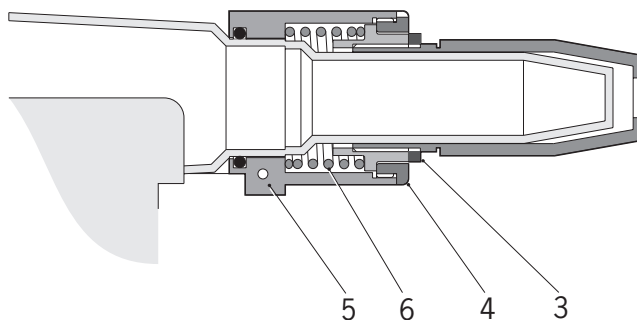
## Spring Preload

---

The force needed to activate the tool can be increased by preloading the Spring. Preload Spacers (71218-03120) are supplied separately.

These Preload Spacers are fitted as follows;

- Unscrew the Locking Ring (**4**) and remove the Nose Assembly and Spring (**6**).
- Fit the required number of of Preload Spacers (71218-03120) into the bore of the Housing (**5**).  
*Note: No more than three Preload Spacers should be fitted.*
- Refit Spring (**6**) and the Nose Assembly. Tighten the Locking Ring (**4**).



# Procedures

## Operating

---

- Insert the fastener stem into the nose of the tool. The fastener should remain held in by the vacuum system.
- Bring the tool with the fastener to the application so that the protruding fastener enters squarely into the hole in the application.

For **71218-03100** Trigger and Nose activation:-

- Depress the nose against the application until the fastener is fully located into the application.
- Fully actuate the Trigger. The tool cycle will broach the fastener and the broken stem will be projected to the rear of the tool into the collector bottle.

For **71218-03200** Nose activation only:-

- Depress the nose against the application until the fastener is fully located into the application.
- The tool will actuate automatically when the fastener is positioned correctly in the application. The tool cycle will broach the fastener and the broken stem will be projected to the rear of the tool into the collector bottle.

## Maintenance

---

Every 500,000 cycles the assembly should be completely dismantled and new components should be used where worn, damaged or recommended. All 'O' Rings should be renewed and lubricated with Molykote® 55M grease before assembling.

**I M P O R T A N T**  
**Read the Safety Instructions on page 2 carefully.**

The airline must be disconnected before any servicing or dismantling is attempted unless specifically instructed otherwise.

It is recommended that any dismantling operation be carried out in clean conditions.

To service the Nose Equipment on the Base Tool:-

- Disconnect the Connection Tube (**19**) from the Connector (**7\***).
- Undo the Retaining Screws (**22**).
- Remove the Sensitive Nose Assembly from the Base Tool.

*Refer to the Base Tool manual for Nose Equipment Servicing and Safety Instructions.*

Item numbers in **bold** refer to the illustrations on page 10.

Items in **bold\*** refer to the illustrations on page 5.



# Servicing Instructions

## Daily

---

- Check for air leaks. If any parts are damaged, replace.
- Check the stroke of the nose is correct to place the selected fastener.

**I M P O R T A N T**  
**Read the Safety Instructions on page 2 carefully.**

## Sensitive Nose Assembly

---

### Dismantling

- Disconnect the Connection Tube (**19**) from the Connector (**21**).
- Remove the Sensitive Nose Assembly from the Base Tool.
- Unscrew the Cover Retaining Screws (**8**) and remove the Cover (**15**).
- Loosen the Locking Nut (**10**), unscrew the Plunger (**13**) and remove the Washer (**12**).
- Loosen the Locking Ring (**3**), unscrew the Nose Casing (**2** or **25**) and remove.
- Unscrew the Locking Ring (**4**) and remove.
- Remove the Adjustment Arm (**9**).
- Remove the Spring (**6**) and any Preload Spacers (71218-03120) fitted.
- Unscrew Connector (**21**) and Blanking Plug (**20**).
- Remove 'O' Ring (**7**) from the Housing (**5**).
- Unscrew the Sealing Screw (**14**) and remove the 'O' Ring (**17**).
- Remove the Piston Stop (**16**) and 'O' Ring (**18**).

### Assembly

- Assemble in the reverse order to dismantling.
- Ensure that the Sealing Screw (**14**) is assembled into the Housing (**5**) using Loctite® 574. Ensure that the Cover Retaining Screws (**8**) are assembled into the Housing (**5**) using Loctite® 222.
- Seals should be checked for damage and replaced if necessary, lubricated with Molykote® 55M grease.

## Sensitive Trigger Assembly

---

### Dismantling

- Using a 2mm Pin Punch drive the Extended Trigger Pin (**4\***) out.
- Remove the Trigger (**1\***).
- For **71218-03100** unscrew the Trigger Valve (**23**) using the Trigger Valve Installation Adaptor (**24**) and remove the Trigger Block (**2\***).
- For **71218-03200** unscrew the Blanked Trigger (**23**) using the Trigger Valve Installation Adaptor (**24**) and remove the Trigger Block (**2\***).
- Remove the Trigger Block (**2\***) from the Base Tool.
- Remove the 'O' Ring (**3\***) from the Trigger Block (**2\***).
- Unscrew the Connector (**7\***) and Blanking Plug (**6\***).

### Assembly

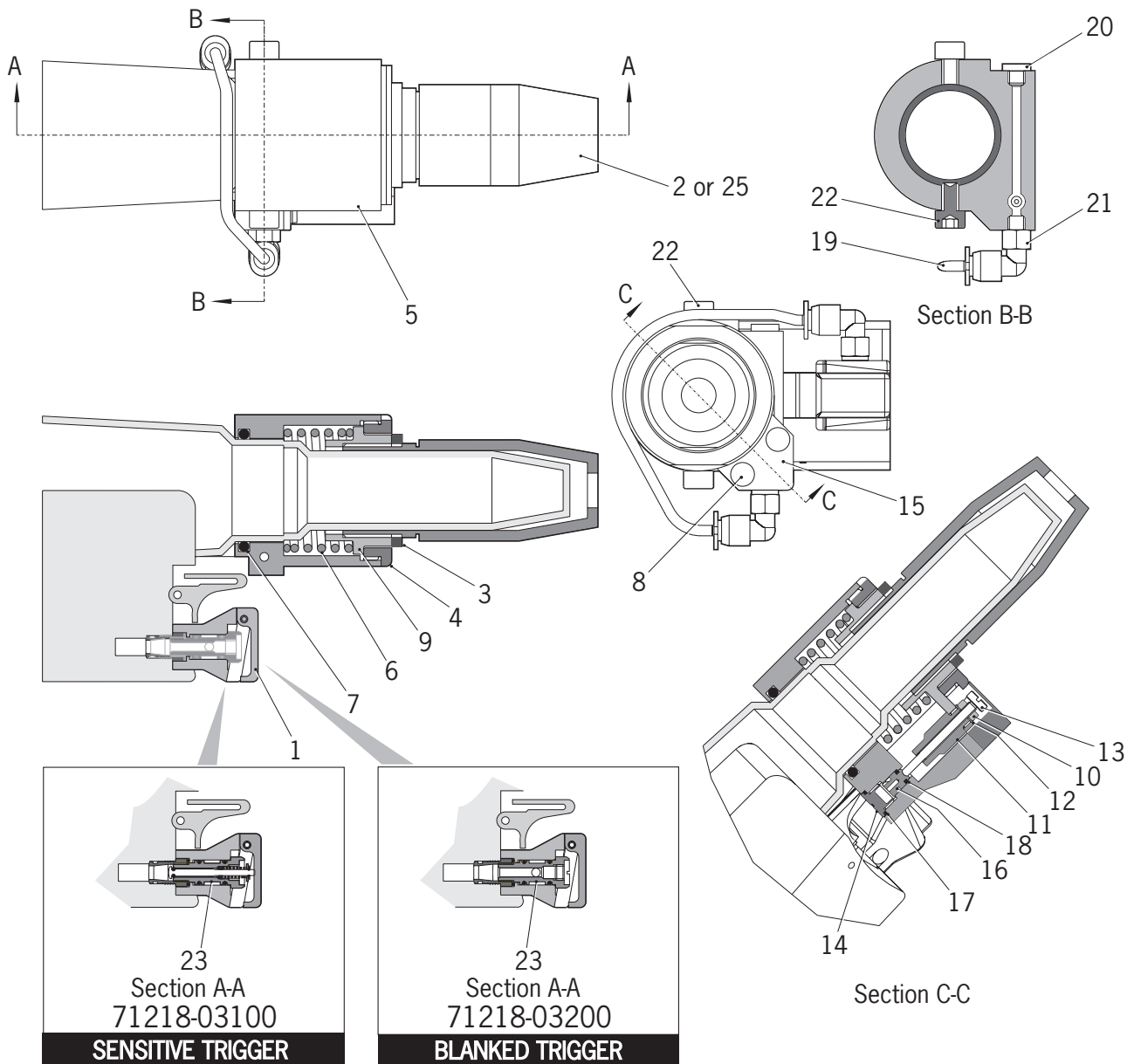
- Assemble in the reverse order to dismantling.
- Seals should be checked for damage and replaced as necessary, lubricated with Molykote® 55m grease.
- For **71218-03100** if necessary, renew Trigger Valve (**23**) (71218-03150).
- For **71218-03200** if necessary, renew Blanked Trigger (**23**) (71218-03250).

Items in **bold** refer to Sensitive Nose Assembly and parts List on page 10.

Items in **bold\*** refer to Trigger Block Assembly and parts List on page 11.

# Sensitive Nose Assemblies and Parts List

**71218-03100 and 71218-03200**



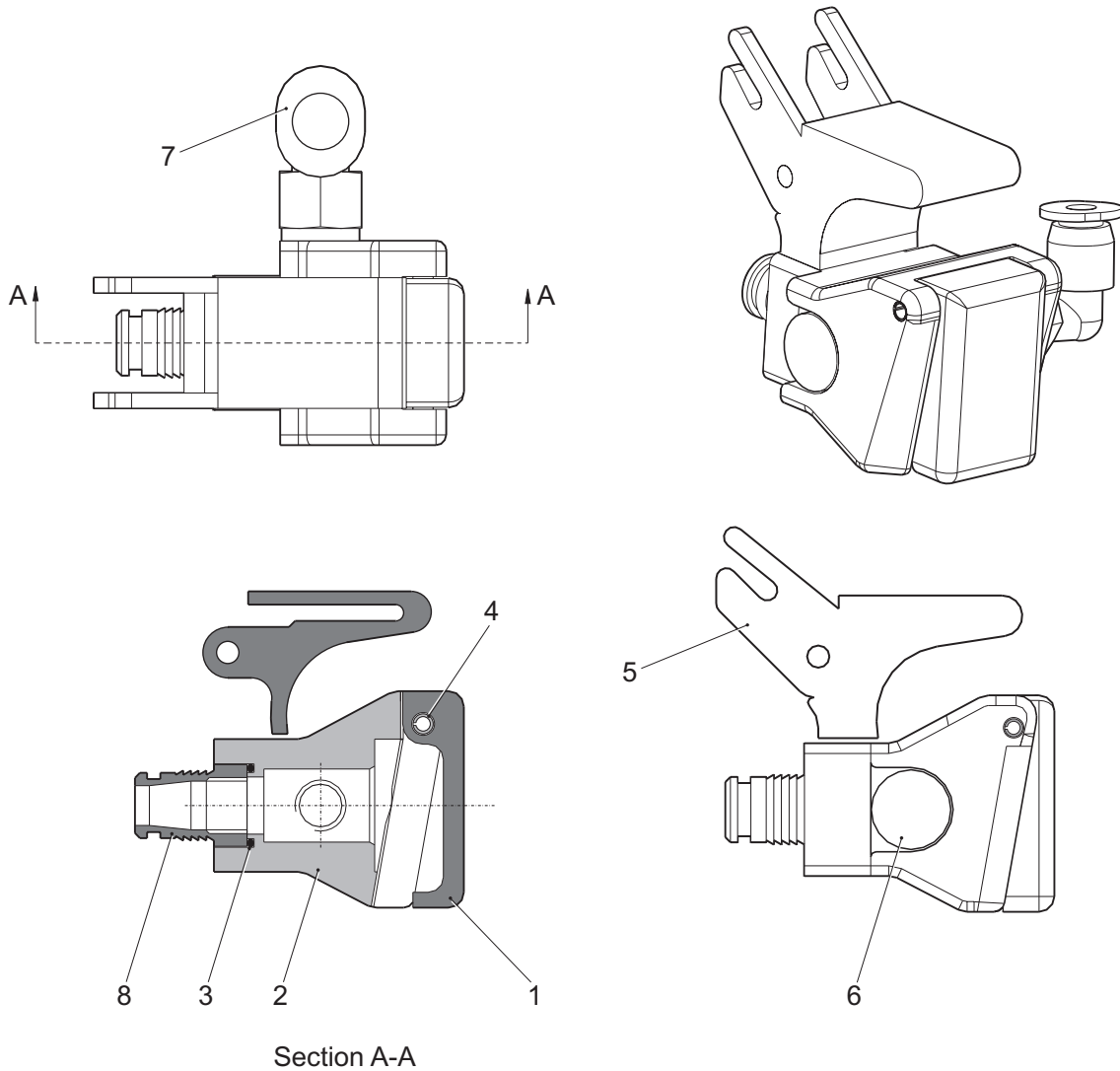
71218-03100 and 71218-03200 PARTS LIST									
ITEM	PART N°	DESCRIPTION	QTY	SPARES	ITEM	PART N°	DESCRIPTION	QTY	SPARES
1	71218-03130	TRIGGER BLOCK ASSEMBLY	1	-	14	71218-03108	SEALING SCREW	1	-
2	71218-03105	NOSE CASING** (nG1 & nG2)	1	-	15	71218-03109	COVER	1	-
3	71218-03103	LOCKING RING INNER	1	-	16	07534-00303	PISTON STOP	1	-
4	71218-03102	LOCKING RING	1	-	17	07003-00421	'O' RING	1	-
5	71218-03101	HOUSING	1	-	18	07003-00397	'O' RING	1	-
6	07007-02070	SPRING	1	-	19	07005-01084	CONNECTION TUBE	1	-
7	07003-00420	'O' RING	1	-	20	07001-00681	BLANKING PLUG	1	-
8	07001-00452	COVER RETAINING SCREW	2	-	21	07005-10102	CONNECTOR	1	-
9	71218-03104	ADJUSTMENT ARM	1	-	22	71218-03110	RETAINING SCREW	2	-
10	07002-00051	M3 NUT	1	-	23	71218-03150	TRIGGER VALVE (71218-03100)	1	-
11	71218-03107	GUIDE PLUNGER	1	-	23	71218-03250	BLANKED TRIGGER (71218-03200)	1	-
12	07002-00165	WASHER	1	-	24	71218-03310	INSTALLATION ADAPTOR	1	-
13	71218-03106	PLUNGER	1	-	25	71218-03111	NOSE CASING** (nG3 & nG4)	1	-

\*\* Alternative Nose Casings available. Contact Avdel® for further information.

(ITEM 24 & 25 NOT SHOWN)

# Trigger Block Assembly and Parts List

**71218-03130**



## 71218-03130 PARTS LIST

ITEM	PART N°	DESCRIPTION	QTY	SPARES	ITEM	PART N°	DESCRIPTION	QTY	SPARES
1	71218-03132	TRIGGER	1	-	5	71218-03134	MODIFIED TRIGGER	1	-
2	71218-03131	TRIGGER BLOCK	1	-	6	07001-00681	BLANKING PLUG	1	-
3	07003-00423	'O' RING	1	-	7	07005-10102	CONNECTOR	1	-
4	71218-03133	EXTENDED TRIGGER PIN	1	-	8	71210-02002	TRIGGER VALVE SEAT (ref only)	1	-



Since 1922



Avdel®



2010



Our Technology, Your Success

**AUSTRALIA****Infastech (Australia) Pty Ltd.**

891 Wellington Road  
Rowville  
Victoria 3178  
Tel: +61 3 9765 6400  
Fax: +61 3 9765 6445  
info@infastech.com.au

**CANADA****Avdel Canada Limited**

1030 Lorimar Drive  
Mississauga  
Ontario L5S 1R8  
Tel: +1 905 364 0664  
Fax: +1 905 364 0678  
infoAvdel-Canada@infastech.com

**CHINA****Infastech (China) Ltd.**

RM 1708, 17/F., Nanyang Plaza,  
57 Hung To Rd., Kwun Tong  
Hong Kong  
Tel: +852 2950 0631  
Fax: +852 2950 0022  
infochina@infastech.com

**FRANCE****Avdel France S.A.S.**

33 bis, rue des Ardennes  
BP4  
75921 Paris Cedex 19  
Tel: +33 (0) 1 4040 8000  
Fax: +33 (0) 1 4208 2450  
AvdelFrance@infastech.com

**GERMANY****Avdel Deutschland GmbH**

Klusriede 24  
30851 Langenhagen  
Tel: +49 (0) 511 7288 0  
Fax: +49 (0) 511 7288 133  
AvdelDeutschland@infastech.com

**INDIA****Infastech Fastening Technologies****India Private Limited**

Plot No OZ-14, Hi Tech SEZ,  
SIPCOT Industrial Growth Center,  
Oragadam, Sriperumbudur Taluk,  
Kanchipuram District,  
602105 Tamilnadu  
Tel: +91 44 4711 8001  
Fax: +91 44 4711 8009  
info-in@infastech.com

**ITALY****Avdel Italia S.r.l.**

Viale Lombardia 51/53  
20047 Brugherio (MI)  
Tel: +39 039 289911  
Fax: +39 039 2873079  
vendite@infastech.com

**JAPAN****Infastech Kabushiki Kaisha**

Center Minami SKY,  
3-1 Chigasaki-Chuo, Tsuzuki-ku,  
Yokohama-city,  
Kanagawa Prefecture  
Japan 224-0032  
Tel: +81 45 947 1200  
Fax: +81 45 947 1205  
info@infastech.co.jp

**MALAYSIA****Infastech (Malaysia) Sdn Bhd**

Lot 63, Persiaran Bunga Tanjung 1,  
Senawang Industrial Park  
70400 Seremban  
Negeri Sembilan  
Tel: +606 676 7168  
Fax: +606 676 7101  
info-my@infastech.com

**SINGAPORE****Infastech (Singapore) Pte Ltd.**

31 Kaki Bukit Road 3  
#05-03/06 Techlink  
Singapore, 417818  
Tel: +65 6372 5653  
Fax: +65 6744 5643  
info-sg@infastech.com

**SOUTH KOREA****Infastech (Korea) Ltd.**

212-4, Suyang-Ri,  
Silchon-Eup, Kwangju-City,  
Kyunggi-Do, Korea, 464-874  
Tel: +82 31 798 6340  
Fax: +82 31 798 6342  
info@infastech.co.kr

**SPAIN****Avdel Spain S.A.**

C/ Puerto de la Morcuera, 14  
Poligono Industrial Prado Overa  
Ctra. de Toledo, km 7,8  
28919 Leganés (Madrid)  
Tel: +34 91 3416767  
Fax: +34 91 3416740  
ventas@infastech.com

**TAIWAN****Infastech/Tri-Star Limited**

No 269-7, Baodong Rd,  
Guanmiao Township,  
71841 Tainan County,  
Taiwan, R.O.C  
Tel: +886 6 596 5798 (ext 201)  
Fax: +886 6 596 5758  
info-tw@infastech.com

**UNITED KINGDOM****Avdel UK Limited**

Pacific House  
2 Swiftfields  
Watchmead Industrial Estate  
Welwyn Garden City  
Hertfordshire AL7 1LY  
Tel: +44 (0) 1707 292000  
Fax: +44 (0) 1707 292199  
enquiries@infastech.com

**USA****Avdel USA LLC**

614 NC Highway 200 South  
Stanfield, North Carolina 28163  
Tel: +1 704 888 7100  
Fax: +1 704 888 0258  
infoAvdel-USA@infastech.com

Manual No.	Issue	Change Note No.	Date
07900-00861	B2	07/103	MAR 07
	B3	07/315	OCT 07
	B4	07/399	JAN 08
	B5	11/018	MAR 11

[www.avdel-global.com](http://www.avdel-global.com)  
[www.infastech.com](http://www.infastech.com)

Autosert® (equipment), Avbolt®, Avdel®, Avdelmate®, Avdel TX2000®, Avdelok®, Avex®, Avibulb®, Avinox®, Avinut™, Avlug®, Avmatic®, Avplas®, Avseal®, Avsert®, Avtainer®, Avtronic®, Briv®, Bulbex®, Chobert®, Eurosert®, Fastriv®, Finsert®, Genesis®, Grovit®, Hemlok®, Hexsert®, Holding your world together®, Hydra®, Interlock®, Klamp-Tite®, Klampite KTR®, Kvex®, Maxlok®, Monobolt®, Monobulb®, Neobolt®, Nutsert®, Nutsert SQ®, Portariv®, Rivmatic®, Rivscrew®, Speed Fastening®, Squaresert®, Stavex®, Supersert®, Thin Sheet Nutsert®, Titan®, T-Lok®, TLR®, TSN®, TX2000®, Versa-Nut®, Viking® and Viking 360® are trademarks of Avdel UK Limited. Infastech™ and Our Technology, Your Success™ are trademarks of Infastech Intellectual Properties Pte Ltd. The names and logos of other companies mentioned herein may be trademarks of their respective owners. This document is for informational purposes only. Infastech makes no warranties, expressed or implied, in this document. Data shown is subject to change without prior notice as a result of continuous product development and improvement policy. Your local Avdel representative is at your disposal should you need to confirm latest information.