

Suspension Kit with Remote Stem Collection for Genesis® Tools

Genesis® Suspension Kit Option

The Suspension Kit is available to supplement the Genesis® tool range.

Where the usage would benefit from the tools being suspended for vertical down operation and remote stem collection, the following Suspension Kit options are available:

- For nG2, G2 Kit No. **71213-99910**.
- For nG3, G3, nG4, & G4 Kit No. **71223-99910**.

Tool Preparation

THE TOOL AIR SUPPLY MUST BE DISCONNECTED BEFORE ANY DISMANTLING IS ATTEMPTED

To prepare tools for fitting the Suspension kit:

Genesis® nG tools fitted with a quick release stem Collector Bottles must be fitted with the following replacement parts:-

- End Cap Assembly 71403-02120 (71231-02001 for nG4).
- Bottle Adaptor Assembly 71403-02110.
- Seal 71210-02029.
- Tools fitted with 'Fixed' Stem Collector Bottles need only the Bottle Assembly 71210-20400 to be removed.

The following Trigger components must also be removed:

- 71210-02024 Trigger Pin.
- 71213-02008 Trigger.
- 07005-00088 Trigger Valve.

Note: For Genesis® nG Tools; before removing trigger components 'lift' trigger to effect the air cut-off to the vacuum system.

Additional part to be removed:

- 'T' Adaptor 71210-02024 - nG2.
- Jaw Spreader Housing 71210-02101 – nG3/nG4.

Assembly Procedure

Item numbers in **BOLD** refer to parts list below.

- Assemble bracket assembly items **1**, **5** and **7 (24)** using screws **4**.
- Remove On/Off Valve Assembly 71210-03700 and Plug 07005-01274. Reassemble clamping Bracket **7 (24)** in position.
- Clamp Head Attachment Plate **1** onto rear of tool using Tube Adaptor **3 (23)**.
- Screw Elbow Connector **15** into trigger port in tool handle using Loctite® 574 and lightly tighten.
- Fit Elbow Connector **15** into Handle Assembly **18**.
- Assemble Inner Extension **16** onto tool head piston.
- Assemble Bearing Spacer **19** and Handle Assembly **18** onto Outer Extension **17** and screw into tool head casting.

Note: Handle will be free to rotate. This can be clamped if required utilising clamp screw in Handle Assembly **18**.

- Screw Locknut **20** onto Inner Extension **16**.
- Refit nG2 'T' Adaptor 71213-02020 (Jaw Spreader Housing 71210-02101 for nG3/4) onto Inner Extension **16** and tighten against Locknut **20**.
- Fit nose equipment for appropriate fastener to the Inner and Outer Extensions **16** and **17**.
- Fit 4mm Tubing **14** into Elbow Connectors **15**.
- Fit Male Connector **11** into Regulator and Gauge **10** and assemble to Vacuum Injector Assembly **13**.
- Fit push-in Fittings **2 (22)** into Tube Adaptor **3 (23)** and Vacuum Injector Assembly **13**.
- Fit Tubing **9 (25)** into push-in Fittings **2 (22)**.
- Attach Suspension Ring **6** onto Suspension Arm **5**. Position ring so as to achieve the required tool operating attitude.
- Suspend Spring Balance **8** from suitable elevated position and attach to Suspension Ring **6**. Adjust balancer to suit.

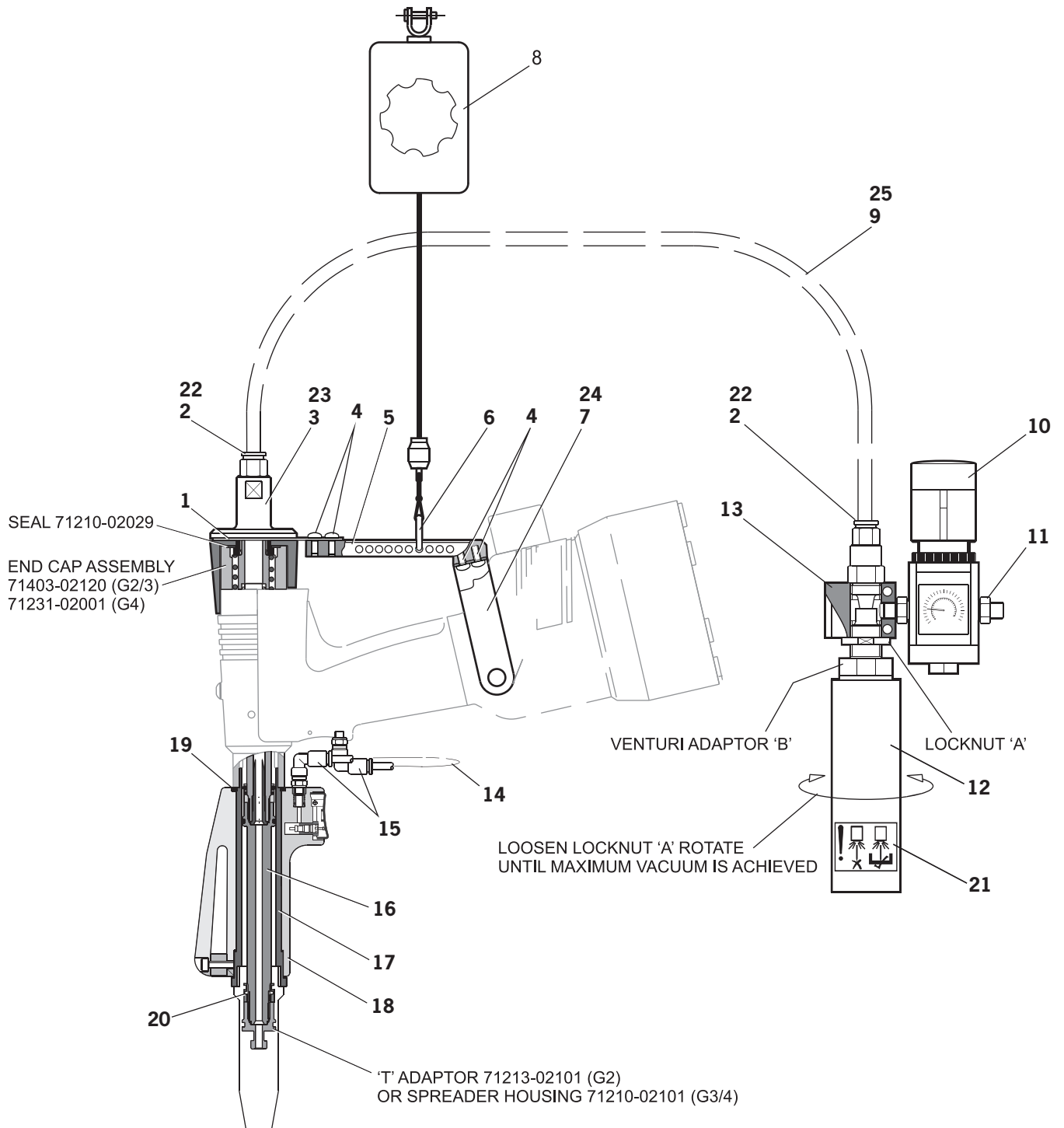
Vacuum Adjustment

- Assemble Silencer **12** to Vacuum Injector Assembly **13**.
- Connect separate air supply to Regulator and Gauge **10** via Male Connector **11** and adjust pressure to approximately 3.5 bar.
- Loosen Locknut 'A' and rotate Venturi Adaptor 'B' (together with Silencer **12**) until maximum vacuum is achieved at nose tip. Fine tune as necessary.
- Tighten Locknut 'A'.

Parts List

ITEM	PART No	DESCRIPTION	QTY
1	71213-99914	HEAD ATTACHMENT PLATE	1
2	07005-10115	1/4 BSP-10mm FITTING (FIESTO)	2
3	71213-99911	TUBE ADAPTOR - nG2	1
4	07001-00677	M4 x 6 BUTTON HEAD SCREW	4
5	71213-99912	SUSPENSION ARM	1
6	07265-03021	SUSPENSION RING	1
7	71213-99913	G2 BRACKET	1
8	07007-02036	SPRING BALANCE	1
9	07005-10114	SMC COAXIAL TUBE	2.5M
10	07005-10111	REGULATOR & GAUGE (FESTO)	1
11	07005-00567	1/4 NPT - 1/8 NPT MALE CONNECTOR	1
12	07005-10075	SILENCER (PIAB)	1
13	71213-99925	VACUUM INJECTOR ASSEMBLY	1
14	07005-01700	4mm TUBING	10CM
15	07005-10108	ELBOW CONNECTOR (FESTO)	2
16	71213-99921	INNER EXTENSION	1
17	71213-99922	OUTER EXTENSION	1
18	71213-99920	HANDLE ASSEMBLY	1
19	71213-99923	BEARING SPACER	1
20	71210-02103	LOCKNUT	1
21	71213-99928	CAUTION LABEL	1
PARTS SUBSTITUTED IN nG3/4 KIT			
22	07005-10110	1/4 BSP - 8mm FITTING (FESTO) - nG3/4	2
23	71223-99911	TUBE ADAPTOR - nG3/4	1
24	71223-99913	G3/4 BRACKET - nG3/4	1
25	07005-01514	8mm SEMI RIGID NYLON TUBE - nG3/4	2.5M

General Assembly





Since 1922

**Avdel® iForm™**

Since 1936

2010



Our Technology, Your Success

AUSTRALIA**Infastech (Australia) Pty Ltd.**

891 Wellington Road
Rowville
Victoria 3178
Tel: +61 3 9765 6400
Fax: +61 3 9765 6445
info@infastech.com.au

CANADA**Avdel Canada Limited**

1030 Lorimar Drive
Mississauga
Ontario L5S 1R8
Tel: +1 905 364 0664
Fax: +1 905 364 0678
infoAvdel-Canada@infastech.com

CHINA**Infastech (China) Ltd.**

RM 1708, 17/F., Nanyang Plaza,
57 Hung To Rd., Kwun Tong
Hong Kong
Tel: +852 2950 0631
Fax: +852 2950 0022
infochina@infastech.com

FRANCE**Avdel France S.A.S.**

33 bis, rue des Ardennes
BP4
75921 Paris Cedex 19
Tel: +33 (0) 1 4040 8000
Fax: +33 (0) 1 4208 2450
AvdelFrance@infastech.com

GERMANY**Avdel Deutschland GmbH**

Klusriede 24
30851 Langenhagen
Tel: +49 (0) 511 7288 0
Fax: +49 (0) 511 7288 133
AvdelDeutschland@infastech.com

INDIA**Infastech Fastening Technologies****India Private Limited**

Plot No OZ-14, Hi Tech SEZ,
SIPCOT Industrial Growth Center,
Oragadam, Sriperumbudur Taluk,
Kanchipuram District,
602105 Tamilnadu
Tel: +91 44 4711 8001
Fax: +91 44 4711 8009
info-in@infastech.com

ITALY**Avdel Italia S.r.l.**

Viale Lombardia 51/53
20047 Brugherio (MI)
Tel: +39 039 289911
Fax: +39 039 2873079
vendite@infastech.com

JAPAN**Infastech Kabushiki Kaisha**

Center Minami SKY,
3-1 Chigasaki-Chuo, Tsuzuki-ku,
Yokohama-city,
Kanagawa Prefecture
Japan 224-0032
Tel: +81 45 947 1200
Fax: +81 45 947 1205
info@infastech.co.jp

MALAYSIA**Infastech (Malaysia) Sdn Bhd**

Lot 63, Persiaran Bunga Tanjung 1,
Senawang Industrial Park
70400 Seremban
Negeri Sembilan
Tel: +606 676 7168
Fax: +606 676 7101
info-my@infastech.com

SINGAPORE**Infastech (Singapore) Pte Ltd.**

31 Kaki Bukit Road 3
#05-03/06 Techlink
Singapore, 417818
Tel: +65 6372 5653
Fax: +65 6744 5643
info-sg@infastech.com

SOUTH KOREA**Infastech (Korea) Ltd.**

212-4, Suyang-Ri,
Silchon-Eup, Kwangju-City,
Kyunggi-Do, Korea, 464-874
Tel: +82 31 798 6340
Fax: +82 31 798 6342
info@infastech.co.kr

SPAIN**Avdel Spain S.A.**

C/ Puerto de la Morcuera, 14
Poligono Industrial Prado Overa
Ctra. de Toledo, km 7,8
28919 Leganés (Madrid)
Tel: +34 91 3416767
Fax: +34 91 3416740
ventas@infastech.com

TAIWAN**Infastech/Tri-Star Limited**

No 269-7, Baodong Rd,
Guanmiao Township,
71841 Tainan County,
Taiwan, R.O.C
Tel: +886 6 596 5798 (ext 201)
Fax: +886 6 596 5758
info-tw@infastech.com

UNITED KINGDOM**Avdel UK Limited**

Pacific House
2 Swiftfields
Watchmead Industrial Estate
Welwyn Garden City
Hertfordshire AL7 1LY
Tel: +44 (0) 1707 292000
Fax: +44 (0) 1707 292199
enquiries@infastech.com

USA**Avdel USA LLC**

614 NC Highway 200 South
Stanfield, North Carolina 28163
Tel: +1 704 888 7100
Fax: +1 704 888 0258
infoAvdel-USA@infastech.com

Data Sheet No.	Issue	Change Note No.
07900-00906	A	08/014
	A2	11/018

www.avdel-global.com
www.infastech.com

Autosert® (equipment), Avbolt®, Avdel®, Avdelmate®, Avdel TX2000®, Avdelok®, Avex®, Avibulb®, Avinox®, Avinut™, Avlug®, Avmatic®, Avplas®, Avseal®, Avsert®, Avtainer®, Avtronic®, Briv®, Bulbex®, Chobert®, Eurosert®, Fastriv®, Finsert®, Genesis®, Grovit®, Hemlok®, Hexsert®, Holding your world together®, Hydra®, Interlock®, Klamp-Tite®, KlampTite KTR®, Kvex®, Maxlok®, Monobolt®, Monobulb®, Neobolt®, Nutsert®, Nutsert SQ®, Portariv®, Rivmatic®, Rivscrew®, Speed Fastening®, Squaresert®, Stavex®, Supersert®, Thin Sheet Nutsert®, Titan®, T-Lok®, TLR®, TSN®, TX2000®, Versa-Nut®, Viking® and Viking 360® are trademarks of Avdel UK Limited. Infastech™ and Our Technology, Your Success™ are trademarks of Infastech Intellectual Properties Pte Ltd. The names and logos of other companies mentioned herein may be trademarks of their respective owners. This document is for informational purposes only. Infastech makes no warranties, expressed or implied, in this document. Data shown is subject to change without prior notice as a result of continuous product development and improvement policy. Your local Avdel representative is at your disposal should you need to confirm latest information.