



Avbolt® Nose Assembly Instructions

07220, 07267, 07287, AV™ 10, AV™ 15 and AV™ 30 Tools

Safety Rules

This technical datasheet must be read with particular attention to the safety rules and operating instructions listed in associated placing tool Instruction Manuals, by any person fitting or operating the Avbolt® nose assemblies and hand tools.

Intent of Use

The Avbolt® nose assemblies in combination with the 07220, 07267, 07287, AV™ 10, AV™ 15 and AV™ 30 tools are designed for placing Avdel® Avbolt® structural fasteners only. The correct placing tool and nose assembly must be selected for each fastener size as shown in Tables 1a and 1b below.

IMPORTANT

The tools and nose assemblies must be used in accordance with the safety rules and fitting instructions contained within this datasheet and the tool instruction manual. The placing of fasteners not included in this datasheet could have a detrimental impact on the working life of the tool and nose assemblies and could invalidate the warranty.

Tables 1a and 1b provide a full list of part numbers, nose assemblies and base tools required to place each Avbolt® size. This table should be used to select and order the correct placing equipment.

Please note that there are various nose assembly options available to fit either Avdel®, Avlock or Huck® hand tools. For the fitting and servicing instructions for each nose assembly refer to the page number provided in Table 1.

Table 1a: Nose Equipment Part Numbers					
AVBOLT SIZE	NOSE ASSEMBLY		JAWS	BASE TOOL	
	PART N°	REF. PAGE	PART N°	MODEL	PART N°
3/16"	07220-08100	3	07220-08103	7220	07220-00200
				7267	07267-00200
				7287	07287-00200
	07220-08200	3	07220-08103	HUCK® 256	-
1/4"	07220-07500	5	07220-07502	7220	07220-00200
				7267	07267-00200
				7287	07287-00200
	07220-07600	5	07220-07502	HUCK® 256	-
5/16"	07220-07700*	7	73411-03303	7220*	07220-00200*
				7267*	07267-00200*
				7287	07287-00200
	07220-07800	7	73411-03303	HUCK® 256, 2503, 2580	-
	73411-03300	9	73411-03303	AVLOCK T10	-
	73411-03400	9	73411-03303	HUCK® 2600	-
73430-03300	9	73411-03303	AV™ 10	73430-02000	
3/8"	73411-03200	11	73411-03203	AVLOCK T10	-
	73411-03500	11	73411-03203	HUCK® 2600	-
	73430-03200	11	73411-03203	AV™ 10	73430-02000

* Please note: The 7220 and 7267 tools require a minimum air supply pressure of 6.5 bar to enable consistent high volume placement of 5/16" Avbolt®.

Table 1b: Nose Equipment Part Numbers					
AVBOLT SIZE	NOSE ASSEMBLY		JAWS	BASE TOOL	
	PART N°	REF. PAGE	PART N°	MODEL	PART N°
1/2"	73412-03600	13	73412-03603	AV™ 30	73434-02000
				AVLOCK T30 & T40	-
	73412-03700	15	73412-03603	HUCK® 2620	-
	73432-03100	17	73432-03103	AV™ 15	73432-02000
	73433-03100	13	73412-03603	AV™ 15	73432-02000
5/8"	73412-03400	19	73412-03403	AV™ 30	73434-02000
				AVLOCK T30 & T40	-
	73412-03500	21	73412-03403	HUCK® 2628	-

3/16" Avbolt® Nose Assemblies - 07220-08100 and 07220-08200

IMPORTANT

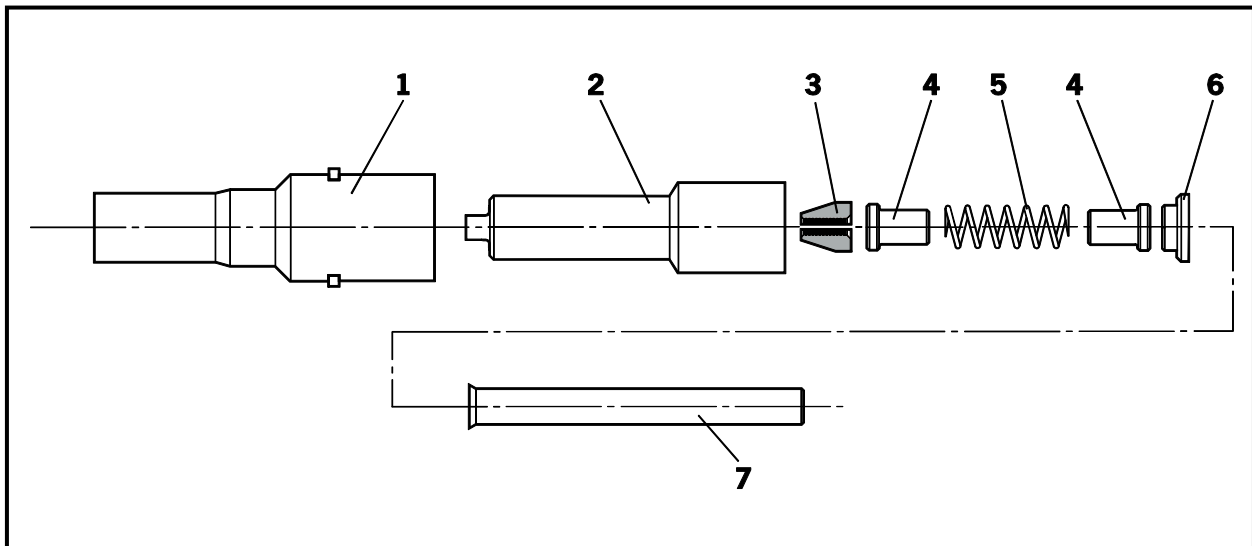
The air supply must be disconnected when fitting or removing nose assemblies.

NOSE ASSEMBLY for Avdel® 07220 tool Part No. 07220-08100

ITEM	DESCRIPTION	PART No
1	ANVIL	07220-08101
2	COLLET	07220-08102
3	JAWS	07220-08103
4	SPRING GUIDE	07220-08104
5	SPRING	07220-02103
6	SPACER	07220-08105
7	PINTAIL TUBE	07220-07505

NOSE ASSEMBLY for Huck® 256 tool Part No. 07220-08200

ITEM	DESCRIPTION	PART No
1	ANVIL	07220-08101
2	COLLET	07220-08102
3	JAWS	07220-08103
4	SPRING GUIDE	07220-08104
5	SPRING	07220-02103
6	SPACER-HUCK®	07220-08201
7	PINTAIL TUBE	07220-07505



Fitting Instructions

Item numbers in **bold** refer to nose assembly components in the tables and illustration above.

- Lightly coat Jaws **3** with Moly Lithium grease.
- Assemble Spring Guide **4** and Spring **5** and stand on end on a flat even surface.
- Balance the three Jaws **3** on the upper Spring Guide **4**.
- Carefully lower Collet **2** over the assembled components.
- Holding the assembled collet pointing downwards insert Spacer **6** behind the rear Spring Guide **4**.
- Insert Pintail Tube **7** into the tool head piston bore.
- Holding the tool pointing down, screw the assembled collet fully onto the tool head piston and tighten with a suitable spanner.

3/16" Avbolt® Nose Assemblies - 07220-08100 and 07220-08200

Fitting Instructions

07220 Tool:

- Place Anvil **1** over Collet **2** and onto the tool, ensuring that the lugs on the body enter the slots in the head extension of the tool.
- Turn the reducing adaptor body through 90° then turn the head extension ring until it springs into its position in the slots of the head extension.

Huck® 256 Tool:

- Place Anvil **1** over Collet **2** and into the tool. Slide the retainer nut over Anvil **1**, screw fully onto the tool and tighten by hand.

Servicing Instructions

Nose assemblies should be serviced at weekly intervals. You should hold some stock of all internal components of the nose assembly as they will need regular replacement.

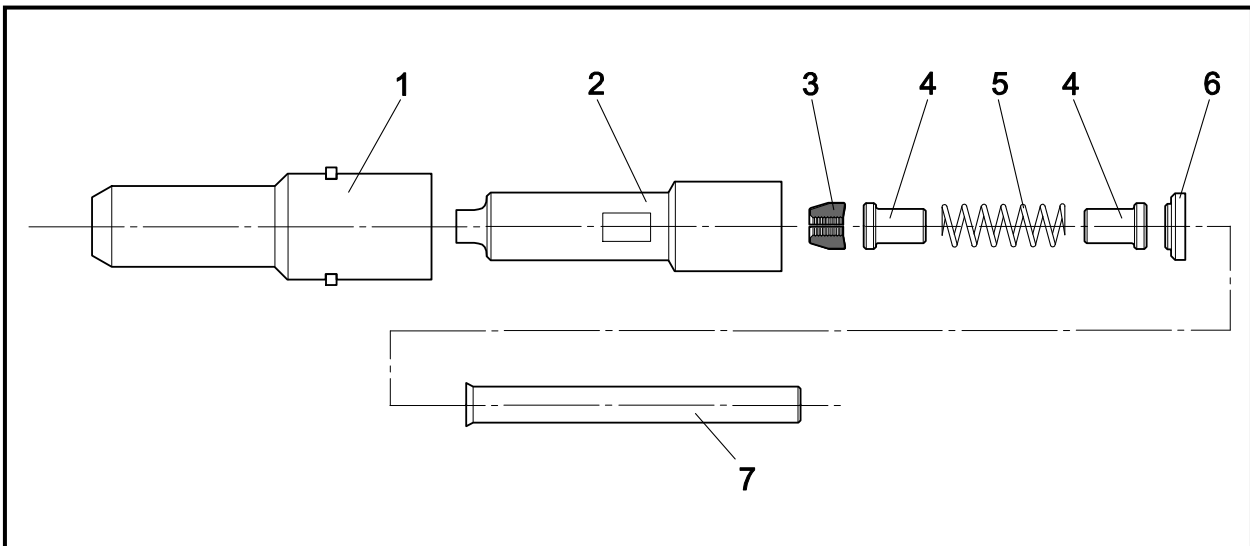
- Remove the nose assembly using the reverse procedure to the 'Fitting Instructions'.
- Any worn or damaged part should be replaced.
- Clean and check wear on Jaws 3.
- Check that Spring 5 and Spring Guides 4 are not distorted.
- Clean and inspect components, renewing worn or damaged items.
- Assemble according to the 'Fitting Instructions'.

1/4" Avbolt® Nose Assemblies - 07220-07500 and 07220-07600

IMPORTANT
The air supply must be disconnected when fitting or removing nose assemblies.

NOSE ASSEMBLY for Avdel® 07220 tool Part No. 07220-07500		
ITEM	DESCRIPTION	PART No
1	ANVIL	07220-07501
2	COLLET	07220-07503
3	JAWS	07220-07502
4	SPRING GUIDE	07220-02104
5	SPRING	07220-02103
6	SPACER	07220-07504
7	PINTAIL TUBE	07220-07505

NOSE ASSEMBLY for Huck® 256 tool Part No. 07220-07600		
ITEM	DESCRIPTION	PART No
1	ANVIL	07220-07501
2	COLLET	07220-07503
3	JAWS	07220-07502
4	SPRING GUIDE	07220-02104
5	SPRING	07220-02103
6	SPACER-HUCK®	07220-07601
7	PINTAIL TUBE	07220-07505



Fitting Instructions

Item numbers in **bold** refer to nose assembly components in the tables and illustration above.

- Lightly coat Jaws **3** with Moly Lithium grease.
- Assemble Spring Guide **4** and Spring **5** and stand on end on a flat even surface.
- Balance the three Jaws **3** on the upper Spring Guide **4**.
- Carefully lower Collet **2** over the assembled components.
- Holding the assembled collet pointing downwards insert Spacer **6** behind the rear Spring Guide **4**.
- Insert Pintail Tube **7** into the tool head piston bore.
- Holding the tool pointing down, screw the assembled collet fully onto the tool head piston and tighten with a suitable spanner.

1/4" Avbolt® Nose Assemblies - 07220-07500 and 07220-07600

Fitting Instructions

07220 Tool:

- Place Anvil **1** over Collet **2** and onto the tool, ensuring that the lugs on the body enter the slots in the head extension of the tool.
- Turn the reducing adaptor body through 90° then turn the head extension ring until it springs into its position in the slots of the head extension.

Huck® 256 Tool:

- Place Anvil **1** over Collet **2** and into the tool. Slide the retainer nut over Anvil **1**, screw fully onto the tool and tighten by hand.

Servicing Instructions

Nose assemblies should be serviced at weekly intervals. You should hold some stock of all internal components of the nose assembly as they will need regular replacement.

- Remove the nose assembly using the reverse procedure to the 'Fitting Instructions'.
- Any worn or damaged part should be replaced.
- Clean and check wear on Jaws **3**.
- Check that Spring **5** and Spring Guides **4** are not distorted.
- Clean and inspect components, renewing worn or damaged items.
- Assemble according to the 'Fitting Instructions'.

5/16" Avbolt® Nose Assemblies - 07220-07700 and 07220-07800

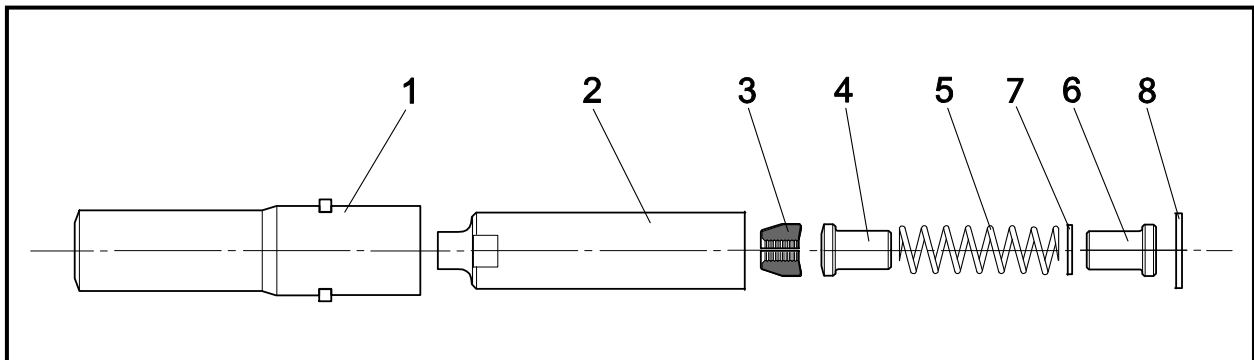
IMPORTANT

The air supply must be disconnected when fitting or removing nose assemblies.

Please note: The 7220 and 7267 tools require a minimum air supply pressure of 6.5 bar to enable consistent high volume placement of 5/16" Avbolt®.

NOSE ASSEMBLY for Avdel® 07220 tool Part No. 07220-07700		
ITEM	DESCRIPTION	PART No
1	ANVIL	07220-07701
2	COLLET	07220-07702
3	JAWS	73411-03303
4	FOLLOWER	07220-07703
5	SPRING	07220-06305
6	SPRING GUIDE	07220-07704

NOSE ASSEMBLY for Huck® 256 tool Part No. 07220-07800		
ITEM	DESCRIPTION	PART No
1	ANVIL	07220-07701
2	COLLET	07220-07702
3	JAWS	73411-03303
4	FOLLOWER	07220-07703
5	SPRING	07220-06305
6	SPRING GUIDE	07220-07704
7	SHIM	07220-07801
8	SHIM	07220-07802



Fitting Instructions

Item numbers in **bold** refer to nose assembly components in the tables and illustration above.

Avdel® 07220, 07267 and 07287 Tools:

- Lightly coat Jaws **3** with Moly Lithium grease.
- Assemble Spring Guide **6**, Spring **5** and Follower **4** and stand on end on a flat even surface.
- Balance the three Jaws **3** on Follower **4**.
- Carefully lower Collet **2** over the assembled components.
- Holding the tool pointing down, screw the assembled collet fully onto the tool head piston and tighten with a suitable spanner.
- Place Anvil **1** over Collet **2** and onto the tool, ensuring that the lugs on the body enter the slots in the head extension of the tool.
- Turn the reducing adaptor body through 90° then turn the head extension ring until it springs into its position in the slots of the head extension.

5/16" Avbolt® Nose Assemblies - 07220-07700 and 07220-07800

Fitting Instructions

Huck® 256 Tool:

- Lightly coat Jaws **3** with Moly Lithium grease.
- Assemble Spring Guide **6**, Shim **7**, Spring **5** and Follower **4** and stand on end on a flat even surface.
- Balance the three Jaws **3** on Follower **4**.
- Carefully lower Collet **2** over the assembled components.
- Holding the assembled collet pointing downwards, insert the Shim **8** behind the Spring Guide **6**.
- Holding the tool pointing down, screw the assembled collet fully onto the tool head piston and tighten with a suitable spanner.
- Place Anvil **1** over Collet **2** and into the tool. Slide the retainer nut over Anvil **1**, screw fully onto the tool and tighten by hand.

Servicing Instructions

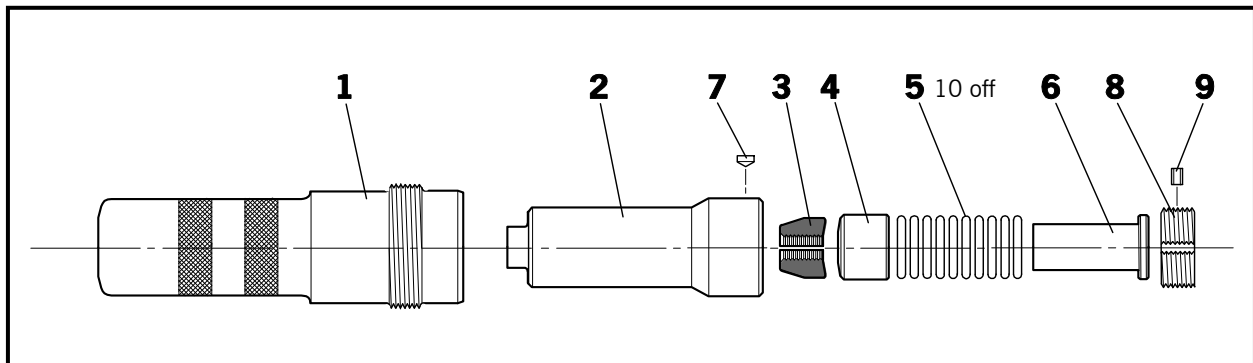
Nose assemblies should be serviced at weekly intervals. You should hold some stock of all internal components of the nose assembly as they will need regular replacement.

- Remove the nose assembly using the reverse procedure to the 'Fitting Instructions'.
- Any worn or damaged part should be replaced.
- Clean and check wear on Jaws **3**.
- Check that Spring 5, Follower 4 and Spring Guide 6 are not distorted.
- Clean and inspect components, renewing worn or damaged items.
- Assemble according to the 'Fitting Instructions'.

5/16" Avbolt® Nose Assemblies - 73411-03300, 73411-03400 and 73430-03300

IMPORTANT
Be sure the tool power supply is turned off before fitting or removing the nose assembly.

NOSE ASSEMBLY for Avlock T10 tool Part No. 73411-03300			NOSE ASSEMBLY for Huck® 2600 tool Part No. 73411-03400			NOSE ASSEMBLY for Avdel® AV™ 10 tool Part No. 73430-03300		
ITEM	DESCRIPTION	PART No	ITEM	DESCRIPTION	PART No	ITEM	DESCRIPTION	PART No
1	ANVIL	73411-03301	1	ANVIL	73411-03401	1	ANVIL	73430-03301
2	COLLET	73411-03302	2	COLLET	73411-03402	2	COLLET	73430-03302
3	JAWS	73411-03303	3	JAWS	73411-03303	3	JAWS	73411-03303
4	FOLLOWER	73411-03304	4	FOLLOWER	73411-03304	4	FOLLOWER	73411-03304
5	'O'-RINGS	07003-00426	5	'O'-RINGS	07003-00426	5	'O'-RINGS	07003-00426
6	SLEEVE	73411-03305	6	SLEEVE	73411-03305	6	SLEEVE	73411-03305
7	COLLET LOCK	73411-05004	7	COLLET LOCK	73411-05004	7	COLLET LOCK	73430-05004
8	COLLET ADAPTER	73411-03206						
9	PLUG	73411-03207						



Fitting Instructions

Item numbers in **bold** refer to nose assembly components in the tables and illustration above.

- Lightly coat Jaws **3** with Moly Lithium grease.
- On a flat work surface, assemble the Sleeve **6**, 'O' Rings **5**, Follower **4** and Jaws **3** by stacking vertically in that order.
- Place the Collet **2** over the assembled stack, slide to the end of the work surface and with a finger push the stack fully inside the Collet **2**.

Avlock T10 Tool:

- Screw Collet Adapter **8** onto the piston rod until it is flush with the end of the piston.
- Insert the Plug **9** into the Collet Adapter **8**. Rotate the Collet Adapter **8** on the piston rod in either direction until the Plug **9** slots into the groove on the piston rod. The Plug **9** must sit below the exterior surface of the Collet Adapter **8**.
- Holding the tool pointing down, screw the assembled collet fully onto the piston rod until it is flush with the end of the collet adaptor.

5/16" Avbolt® Nose Assemblies - 73411-03300, 73411-03400 and 73430-03300

Fitting Instructions

- Insert Collet Lock **7** into Collet **2**. Rotate Collet **2** on the piston rod in either direction until Collet Lock **7** slots into the nearest groove in the collet adaptor. The Collet Lock **7** should be flush with the exterior of Collet **2**.
- Slide Anvil **1** over the Collet **2** and screw into the anvil adaptor until it is firm.
- There is a locking 'O' Ring which will create a resistance to the final few turns of the Anvil **1**. It is imperative that the Anvil **1** be hand tightened up against the rear locking face.

Huck® 2600 Tool:

- Holding the tool pointing down, screw the assembled collet onto the piston rod until it bottoms out.
- Insert Collet Lock **7** into Collet **2**. Rotate Collet **2** on the piston rod in either direction until Collet Lock **7** slots into the nearest groove on the piston rod. The Collet Lock **7** should be flush with the exterior of Collet **2**.
- Place Anvil **1** over Collet **2** and into the tool. Slide the retainer nut over the Anvil **1**, screw fully onto the tool and tighten by hand.

Avdel AV™ 10 Tool:

- The Collet **2** will be supplied pre-assembled with a ball type Collet Lock **7** and not with the loose brass pin type as illustrated above.
- Holding the tool pointing down, screw the assembled Collet **2** onto the piston rod until the Collet Lock **7** lines up with one of the four counter bores on the piston thread. Rotate Collet **2** on the piston rod in either direction until Collet Lock **7** slots into the nearest counter bore.
- The Collet Lock **7** should be flush with the exterior of Collet **2**.
- Slide Anvil **1** over Collet **2** and screw into the body of the placing tool until it is firm.
- There is a locking 'O' Ring which will create a resistance to the final few turns of the Anvil **1**. It is imperative that the Anvil **1** be hand tightened up against the rear locking face.

Servicing Instructions

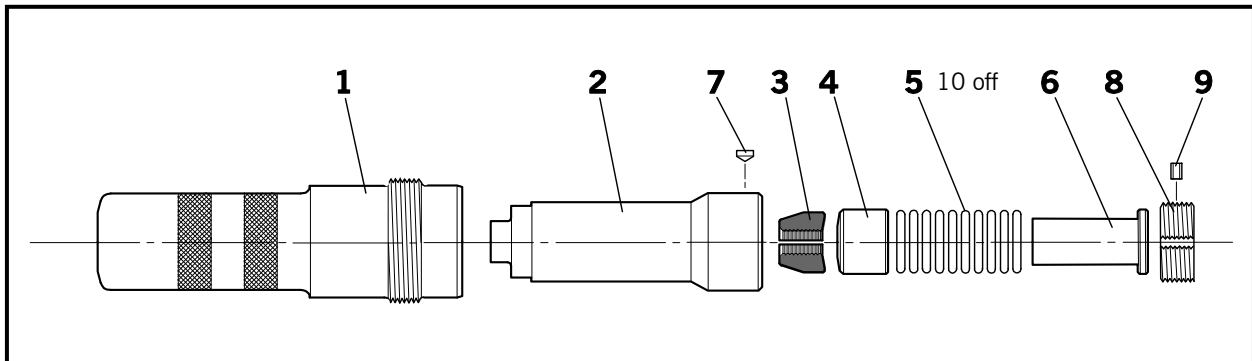
Nose assemblies should be serviced at weekly intervals. You should hold some stock of all internal components of the nose assembly as they will need regular replacement.

- Remove the nose assembly using the reverse procedure to the 'Fitting Instructions'.
- Any worn or damaged part should be replaced.
- Clean and check wear on Jaws **3**.
- Check that Spring **5** and Spring Guides **4** are not distorted.
- Clean and inspect components, renewing worn or damaged items.
- Assemble according to the 'Fitting Instructions'.

3/8" Avbolt® Nose Assemblies - 73411-03200, 73411-03500 and 73430-03200

IMPORTANT
Be sure the tool power supply is turned off before fitting or removing the nose assembly.

NOSE ASSEMBLY for Avlock T10 tool Part No. 73411-03200			NOSE ASSEMBLY for Huck® 2600 tool Part No. 73411-03500			NOSE ASSEMBLY for Avdel® AV™ 10 tool Part No. 73430-03200		
ITEM	DESCRIPTION	PART No	ITEM	DESCRIPTION	PART No	ITEM	DESCRIPTION	PART No
1	ANVIL	73411-03201	1	ANVIL	73411-03501	1	ANVIL	73430-03201
2	COLLET	73411-03202	2	COLLET	73411-03502	2	COLLET	73430-03202
3	JAWS	73411-03203	3	JAWS	73411-03203	3	JAWS	73411-03203
4	FOLLOWER	73411-03204	4	FOLLOWER	73411-03204	4	FOLLOWER	73411-03204
5	'O'-RINGS	07003-00426	5	'O'-RINGS	07003-00426	5	'O'-RINGS	07003-00426
6	SLEEVE	73411-03205	6	SLEEVE	73411-03205	6	SLEEVE	73411-03205
7	COLLET LOCK	73411-05004	7	COLLET LOCK	73411-05004	7	COLLET LOCK	73430-05004
8	COLLET ADAPTER	73411-03206						
9	PLUG	73411-03207						



Fitting Instructions

Item numbers in **bold** refer to nose assembly components in the tables and illustration above.

- Lightly coat Jaws **3** with Moly Lithium grease.
- On a flat work surface, assemble the Sleeve **6**, 'O' Rings **5**, Follower **4** and Jaws **3** by stacking vertically in that order.
- Place the Collet **2** over the assembled stack, slide to the end of the work surface and with a finger push the stack fully inside the Collet **2**.

Avlock T10 Tool:

- Screw Collet Adapter **8** onto the piston rod until it is flush with the end of the piston.
- Insert the Plug **9** into the Collet Adapter **8**. Rotate the Collet Adapter **8** on the piston rod in either direction until the Plug **9** slots into the groove on the piston rod. The Plug **9** must sit below the exterior surface of the Collet Adapter **8**.

3/8" Avbolt® Nose Assemblies 73411-03200, 73411-03500 and 73430-03200

Fitting Instructions

- Holding the tool pointing down, screw the assembled collet fully onto the piston rod until it is flush with the end of the collet adaptor.
- Insert Collet Lock **7** into Collet **2**. Rotate Collet **2** on the piston rod in either direction until Collet Lock **7** slots into the nearest groove in the collet adaptor. The Collet Lock **7** should be flush with the exterior of Collet **2**.
- Slide Anvil **1** over the Collet **2** and screw into the anvil adaptor until it is firm.
- There is a locking 'O' Ring which will create a resistance to the final few turns of the Anvil **1**. It is imperative that the Anvil **1** be hand tightened up against the rear locking face.

Huck® 2600 Tool:

- Holding the tool pointing down, screw the assembled collet onto the piston rod until it bottoms out.
- Insert Collet Lock **7** into Collet **2**. Rotate Collet **2** on the piston rod in either direction until Collet Lock **7** slots into the nearest groove on the piston rod. The Collet Lock **7** should be flush with the exterior of Collet **2**.
- Place Anvil **1** over Collet **2** and into the tool. Slide the retainer nut over the Anvil **1**, screw fully onto the tool and tighten by hand.

Avdel AV™ 10 Tool:

- The Collet **2** will be supplied pre-assembled with a ball type Collet Lock **7** and not with the loose brass pin type as illustrated above.
- Holding the tool pointing down, screw the assembled Collet **2** onto the piston rod until the Collet Lock **7** lines up with one of the four counter bores on the piston thread. Rotate Collet **2** on the piston rod in either direction until Collet Lock **7** slots into the nearest counter bore.
- The Collet Lock **7** should be flush with the exterior of Collet **2**.
- Slide Anvil **1** over Collet **2** and screw into the body of the placing tool until it is firm.
- There is a locking 'O' Ring which will create a resistance to the final few turns of the Anvil **1**. It is imperative that the Anvil **1** be hand tightened up against the rear locking face.

Servicing Instructions

Nose assemblies should be serviced at weekly intervals. You should hold some stock of all internal components of the nose assembly as they will need regular replacement.

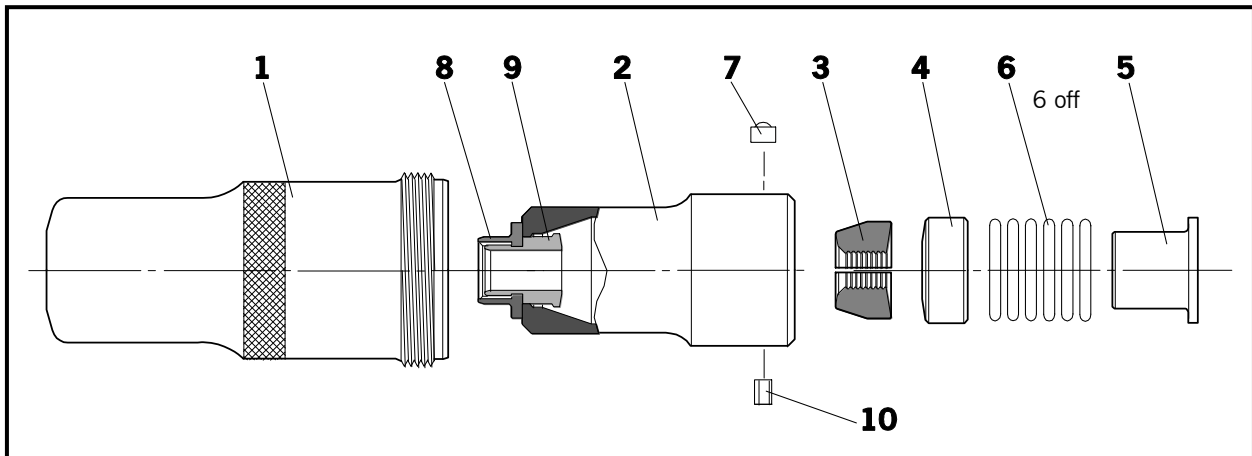
- Remove the nose assembly using the reverse procedure to the 'Fitting Instructions'.
- Any worn or damaged part should be replaced.
- Clean and check wear on Jaws **3**.
- Check that Follower **4**, Sleeve **6** and 'O' Rings **5** are not distorted.
- Assemble according to the 'Fitting Instructions'.

1/2" Avbolt® Nose Assemblies - 73412-03600 and 73433-03100

IMPORTANT
Be sure the tool power supply is turned off before fitting or removing the nose assembly.

NOSE ASSEMBLY for Avdel® AV™ 30 tool Part No. 73412-03600		
ITEM	DESCRIPTION	PART No
1	ANVIL	73412-03601
2	COLLET	73412-03602
3	JAW SET	73412-03603
4	FOLLOWER	73412-03604
5	SLEEVE	73412-03605
6	'O'-RINGS	73412-03607
7	COLLET LOCK	73412-03407
8	COLLAR EJECTOR	73412-03608
9	JAW RELEASE	73412-03606
10	SET SCREW	07001-00685

NOSE ASSEMBLY For Avdel® AV™ 15 tool Part No. 73433-03100		
ITEM	DESCRIPTION	PART No
1	ANVIL	73432-03101
2	COLLET	73433-03102
3	JAW SET	73412-03603
4	FOLLOWER	73412-03604
5	SLEEVE	73432-03104
6	'O'-RINGS	73412-03607
7	COLLET LOCK	73430-05004
8	COLLAR EJECTOR	73412-03608
9	JAW RELEASE	73412-03606



Fitting Instructions

Item numbers in **bold** refer to nose assembly components in the table and illustration above.

- Lightly coat Jaw Set **3** with Moly Lithium grease.
- On a flat work surface, assemble Sleeve **5**, 'O' Rings **6**, Follower **4** and Jaw Set **3** by stacking vertically in that order.
- The Collet **2** will be supplied pre-assembled with Collar Ejector **8** and Jaw Release **9** as shown.
- Place Collet **2** over the assembled stack, slide to the end of the work surface and with a finger push the stack fully inside Collet **2**.
- Holding the tool pointing down, screw the assembled collet onto the piston rod until it is flush with the end of the Collet Adaptor.
- Rotate Collet **2** on the piston rod in either direction until Collet Lock **7** slots into the nearest groove on the Collet Adaptor. The Collet Lock **7** should be flush with the exterior of Collet **2**. Lock in position by tightening Socket Set Screw **10**.

1/2" Avbolt® Nose Assemblies - 73412-03600 and 73433-03100

Fitting Instructions

- Slide Anvil **1** over Collet **2** and screw into the body of the tool until it is firm.
- There is a locking 'O' Ring which will create a resistance to the final few turns of the Anvil **1**. It is imperative that the Anvil **1** be hand tightened up against the rear locking face.
- Correct installation of the nose assembly can be gauged by the free movement of the correct size pintail through the assembled jaws in the nose.

Servicing Instructions

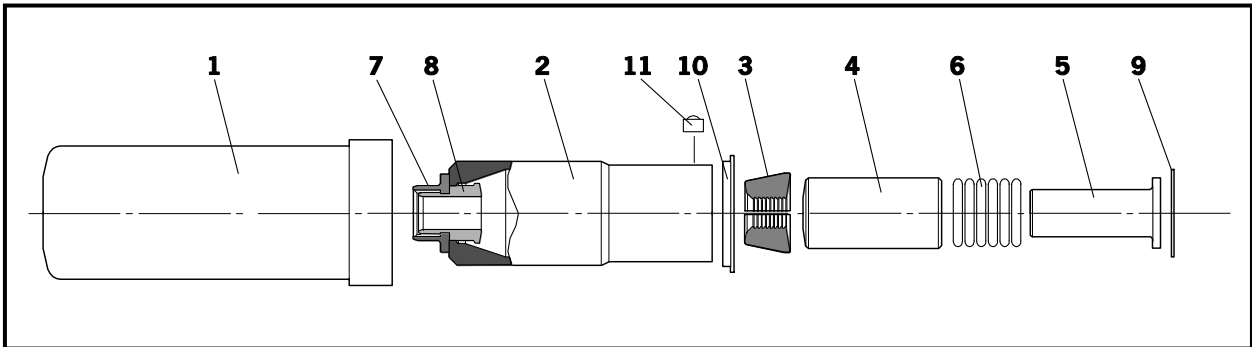
Nose assemblies should be serviced at weekly intervals. You should hold some stock of all internal components of the nose assembly as they will need regular replacement.

- Remove the nose assembly using the reverse procedure to the 'Fitting Instructions'.
- Any worn or damaged part should be replaced.
- Clean and check wear on Jaw Set **3**.
- Check that Collar Ejector **8**, Collet **2**, Sleeve **5** and 'O' Rings **6** are not distorted.
- To remove a damaged or worn Collar Ejector **8**, slide the Collar Ejector **8** out of Collet **2** as far as possible. Cut through Jaw Release **9** between the flange of Collar Ejector **8** and the front face of Collet **2**. Invert Collet **2** and push out the remains of Jaw release **9**.
- When assembling a new Collar Ejector **8** and Jaw Release **9** in Collet **2**, first ensure that the threads are clean, before applying Loctite® 243 and screwing the two parts together within Collet **2**.
- Assemble according to the 'Fitting Instructions'.

1/2" Avbolt® Nose Assembly - 73412-03700

IMPORTANT
Be sure the tool power supply is turned off before fitting or removing the nose assembly.

NOSE ASSEMBLY for Huck® 2620 tool Part No. 73412-03700		
ITEM	DESCRIPTION	PART No
1	ANVIL - HUCK®	73412-03701
2	COLLET - HUCK®	73412-03702
3	JAW SET	73412-03603
4	FOLLOWER	73412-03703
5	SLEEVE	73412-03704
6	'O'-RINGS	73412-03706
7	COLLAR EJECTOR	07003-03608
8	JAW RELEASE	73412-03606
9	CIRCLIP	07004-00110
10	RETAINER	73412-03705
11	COLLET LOCK	73430-05004



Fitting Instructions

Item numbers in **bold** refer to nose assembly components in the table and illustration above.

- Lightly coat Jaw Set **3** with Moly Lithium grease.
- On a flat work surface, assemble Sleeve **5**, 'O' Rings **6**, Follower **4** and Jaw Set **3** by stacking vertically in that order.
- The Collet **2** will be supplied pre-assembled with Collar Ejector **7** and Jaw Release **8** positioned as shown.
- Place Collet **2** over the assembled stack, slide to the end of the work surface and with a finger push the stack fully inside Collet **2**. Retain in position with Circlip **9**.
- Assemble Retainer **10** over Collet **2** and screw fully onto piston. Rotate Collet **2** until Collet Lock **11** locates in the groove on the piston rod.
- Slide Anvil **1** over Collet **2**, place split rings over Anvil **1** and secure with retainer. (Note: The split rings and retainer are part of the Huck® 2620 base tool).

1/2" Avbolt® Nose Assembly - 73412-03700

Servicing Instructions

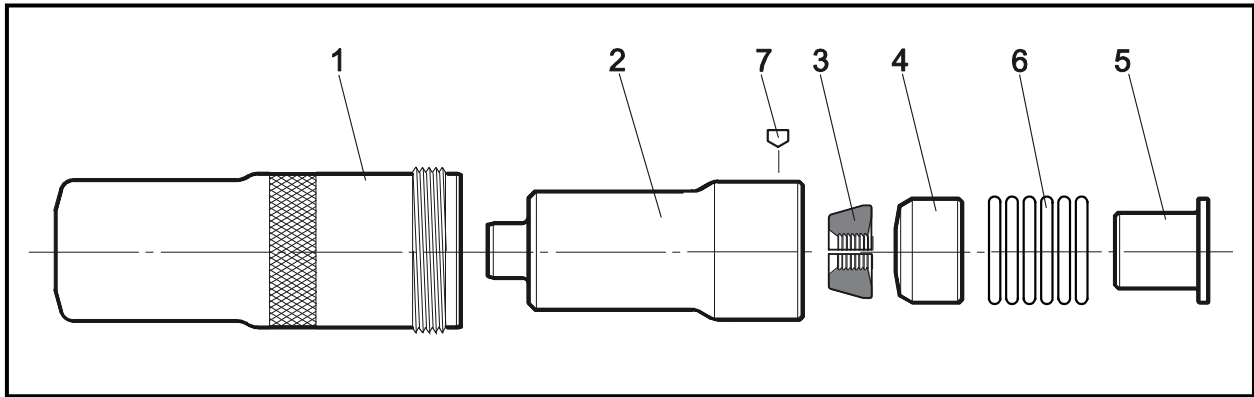
Nose assemblies should be serviced at weekly intervals. You should hold some stock of all internal components of the nose assembly as they will need regular replacement.

- Remove the nose assembly using the reverse procedure to the 'Fitting Instructions'.
- Any worn or damaged part should be replaced.
- Clean and check wear on Jaw Set **3**.
- Check that Collar Ejector **11**, Collet **2**, Sleeve **5** and 'O' Rings **6** are not distorted.
- To remove a damaged or worn Collar Ejector **11**, slide the Collar Ejector **11** out of Collet **2** as far as possible. Cut through Jaw Release **12** between the flange of Collar Ejector **11** and the front face of Collet **2**. Invert Collet **2** and push out the remains of Jaw release **12**.
- When assembling a new Collar Ejector **11** and Jaw Release **12** in Collet **2**, first ensure that the threads are clean, before applying Loctite® 243 and screwing the two parts together within Collet **2**.
- Assemble according to the 'Fitting Instructions'.

1/2" Avbolt® Nose Assemblies - 73432-03100 for Avdel® AV™ 15

IMPORTANT
Be sure the tool power supply is turned off before fitting or removing the nose assembly.

NOSE ASSEMBLY for Avdel® AV™ 15 tool Part No. 73432-03100		
ITEM	DESCRIPTION	PART No
1	ANVIL	73432-03101
2	COLLET	73432-03102
3	JAW SET	73432-03103
4	FOLLOWER	73412-03604
5	SLEEVE	73432-03104
6	'O'-RINGS	73412-03607
7	COLLET LOCK	73430-05004



Fitting Instructions

Item numbers in **bold** refer to nose assembly components in the tables and diagram above.

- Lightly coat Jaws **3** with Moly Lithium grease.
- On a flat work surface, assemble the Sleeve **5**, 'O' rings **6**, Follower **4** and Jaws **3** by stacking vertically in that order.
- Place the Collet **2** over the assembly stack, slide to the end of the work surface and with a finger push the stack fully inside the Collet.
- The Collet **2** will be supplied pre-assembled with a ball type Collet Lock **7**.
- Holding tool pointing down, screw the assembled Collet **2** onto the piston rod until it is flush with the rear face of the collet adaptor.
- Rotate the Collet **2** on the collet adaptor in either direction until the Collet Lock **7** ball slots into the nearest indent on the collet adaptor. The Collet Lock should be flush with the exterior of the Collet.
- Slide the Anvil **1** over the Collet **2** and screw into the body of the tool until it is firm.
- There is a locking 'O' Ring which will create a resistance to the final few turns of the Anvil **1**. It is imperative that the Anvil **1** be hand tightened up against the rear locking face.

1/2" Avbolt® Nose Assemblies - 73432-03100 for Avdel® AV™ 15

Servicing Instructions

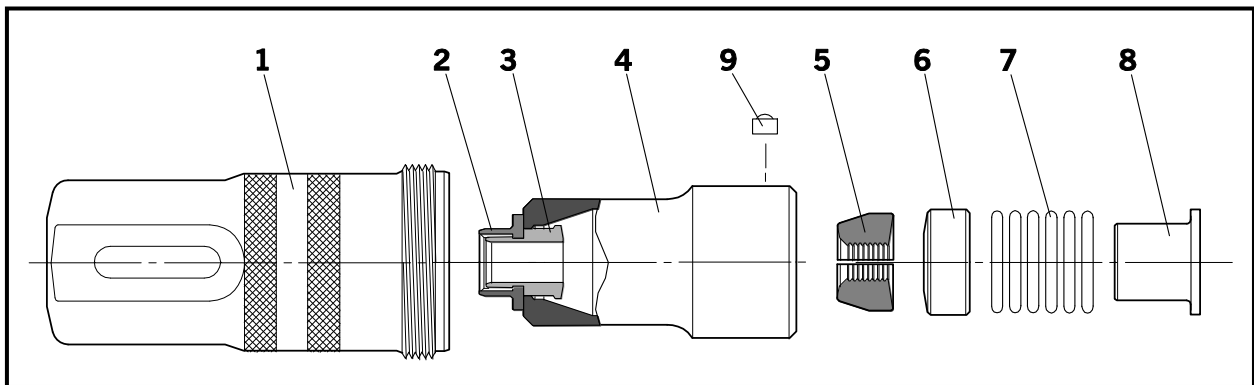
Nose assemblies should be serviced at weekly intervals. You should hold some stock of all internal components of the nose assembly as they will need regular replacement.

- Remove the nose assembly using the reverse procedure to the 'Fitting instructions'.
- Any worn or damaged part should be replaced.
- Clean and check wear on Jaws **3**.
- Check that the Follower **4**, Sleeve **5** and 'O' rings **6** are not distorted.
- Assemble according to fitting instructions.

5/8" Avbolt® Nose Assembly - 73412-03400

IMPORTANT
Be sure the tool power supply is turned off before fitting or removing the nose assembly.

NOSE ASSEMBLY for Avdel® AV™30 tool Part No. 73412-03400		
ITEM	DESCRIPTION	PART No
1	ANVIL	73412-03401
2	COLLAR EJECTOR	73412-03408
3	JAW RELEASE	73412-03406
4	COLLET	73412-03402
5	JAWS	73412-03403
6	FOLLOWER	73412-03404
7	'O' RINGS	07003-00427
8	SLEEVE	73412-03405
9	COLLET LOCK	73412-03407



Fitting Instructions

Item numbers in **bold** refer to nose assembly components in the table and illustration above.

- Lightly coat Jaws **5** with Moly Lithium grease.
- On a flat work surface, assemble Sleeve **8**, 'O' Rings **7**, Follower **6** and Jaws **5** by stacking vertically in that order.
- The Collet **4** will be supplied pre-assembled with Collar Ejector **2** and Jaw Release **3** as shown.
- Place Collet **4** over the assembled stack, slide to the end of the work surface and with a finger push the stack fully inside Collet **4**.
- Holding the tool pointing down, screw the assembled collet onto the piston rod until it is flush with the end of the collet adaptor.
- Rotate Collet **4** on the piston rod in either direction until Collet Lock **9** slots into the nearest groove on the collet adaptor. The Collet Lock **9** should be flush with the exterior of Collet **4**.
- Slide Anvil **1** over Collet **4** and screw into the tool body until it is firm.

5/8" Avbolt® Nose Assembly - 73412-03400

Fitting Instructions

- There is a locking 'O' Ring which will create a resistance to the final few turns of the Anvil **1**. It is imperative that the Anvil **1** be hand tightened up against the rear locking face.
- Correct installation of the nose assembly can be gauged by the free movement of the correct size pintail through the assembled jaws in the nose.

Servicing Instructions

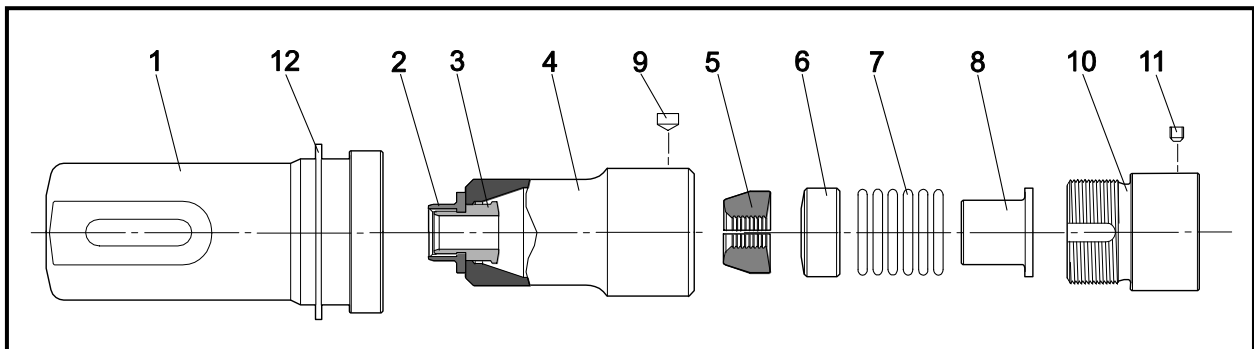
Nose assemblies should be serviced at weekly intervals. You should hold some stock of all internal components of the nose assembly as they will need regular replacement.

- Remove the nose assembly using the reverse procedure to the 'Fitting Instructions'.
- Any worn or damaged part should be replaced.
- Clean and check wear on Jaws **5**.
- Check that Collar Ejector **2**, Follower **6**, Sleeve and 'O' Rings **7** are not distorted.
- To remove a damaged or worn Collar Ejector **2**, slide the Collar Ejector **2** out of Collet **4** as far as possible. Cut through Jaw Release **3** between the flange of Collar Ejector **2** and the front face of Collet **4**. Invert Collet **4** and push out the remains of Jaw release **3**.
- When assembling a new Collar Ejector **2** and Jaw Release **3** in Collet **4**, first ensure that the threads are clean, before applying Loctite® 243 and screwing the two parts together within Collet **4**.
- Assemble according to the 'Fitting Instructions'.

5/8" Avbolt® Nose Assembly - 73412-03500

IMPORTANT
Be sure the tool power supply is turned off before fitting or removing the nose assembly.

NOSE ASSEMBLY for Huck® 2628 tool Part No. 73412-03500		
ITEM	DESCRIPTION	PART No
1	ANVIL - HUCK®	73412-03501
2	COLLAR EJECTOR	73412-03408
3	JAW RELEASE	73412-03406
4	COLLET - HUCK®	73412-03502
5	JAWS	73412-03403
6	FOLLOWER	73412-03404
7	'O' RINGS	07003-00427
8	SLEEVE	73412-03405
9	COLLET LOCK	73412-03507
10	COLLET ADAPTER	73412-03508
11	LOCKING SCREW	07001-00481
12	CIRCLIP	07004-00107



Fitting Instructions

Item numbers in **bold** refer to nose assembly components in the table and illustration above.

- Lightly coat Jaws **5** with Moly Lithium grease.
- On a flat work surface, assemble Sleeve **8**, 'O' Rings **7**, Follower **6** and Jaws **5** by stacking vertically in that order.
- The Collet **4** will be supplied pre-assembled with Collar Ejector **2** and Jaw Release **3** positioned as shown.
- Place Collet **4** over the assembled stack, slide to the end of the work surface and with a finger push the stack fully inside Collet **4**.
- Screw Collet Adapter **10** fully into the collet assembly. The shoulder of Collet Adapter **10** should come into contact with the rear of Collet **4**.
- Insert Collet Lock **9** into Collet **4**. Unscrew Collet Adapter **10** until Collet Lock **9** slots into the nearest groove. The Collet Lock **9** should be flush with the exterior of Collet **4**.

5/8" Avbolt® Nose Assembly - 73412-03500

Fitting Instructions

- Screw the assembled Collet Adaptor **10** onto the piston rod until the rear face of Collet Adaptor **10** extends approximately 5mm beyond the front face of the tool adapter.
- Apply Loctite® 243 to Locking Screw **11** and insert into Collet Adapter **10**. Rotate Collet **4** on the piston rod in either direction until Locking Screw **11** can slot into the nearest groove on the piston rod. The Locking Screw **11** should then be inserted so it is flush with the exterior of Collet Adapter **10**.
- Place the split rings over Anvil **1** and adapter of the tool. Push Anvil **1** over Collet **4** and into the tool to assist in seating the split rings.
- Slide the sleeve or retainer over the split rings and then install Circlip **12** on Anvil **1**.
- Correct installation of the nose assembly can be gauged by the free movement of the correct size pintail through the assembled jaws in the nose.

Servicing Instructions

Nose assemblies should be serviced at weekly intervals. You should hold some stock of all internal components of the nose assembly as they will need regular replacement.

- Remove the nose assembly using the reverse procedure to the 'Fitting Instructions'.
- Any worn or damaged part should be replaced.
- Clean and check wear on Jaws **5**.
- Check that Collar Ejector **2**, Follower **6**, Sleeve **8** and 'O' Rings **7** are not distorted.
- To remove a damaged or worn Collar Ejector **2** cut at a point between the flange of the ejector and the end of Collet **4**. The Collar Ejector **2** and Jaw Release **3** can then be separated and removed from Collet **4**.
- When assembling a new Collar Ejector **2** and Jaw Release **3** in Collet **4**, first ensure that the threads are clean, before applying Loctite® 243 and screwing the two parts together within Collet **4**.
- Assemble according to the 'Fitting Instructions'.

AUSTRALIA
Infastech (Australia) Pty Ltd.
 891 Wellington Road
 Rowville
 Victoria 3178
 Tel: +61 3 9765 6400
 Fax: +61 3 9765 6445
 info@infastech.com.au

CANADA
Avdel Canada Limited
 1030 Lorimar Drive
 Mississauga
 Ontario L5S 1R8
 Tel: +1 905 364 0664
 +800 268 9947
 Fax: +1 905 364 0678
 +800 594 7661
 infoAvdel-Canada@infastech.com

CHINA
Infastech (China) Ltd.
 RM 1708, 17/F.,
 Nanyang Plaza,
 57 Hung To Rd., Kwun Tong
 Hong Kong
 Tel: +852 2950 0631
 Fax: +852 2950 0022
 infochina@infastech.com

FRANCE
Avdel France S.A.S.
 Bat. Le Monet Paris Nord 2
 9 Allée des Impressionistes
 CS 59328 Villepinte
 95941 Roissy CDG Cedex
 Tel: +33 (0) 149 909500
 Fax: +33 (0) 149 909550
 AvdelFrance@infastech.com

GERMANY
Avdel Deutschland GmbH
 Rotenburger Str. 28
 30659 Hannover
 Tel: +49 (0)511 7288 0
 Fax: +49 (0)511 7288 133
 AvdelDeutschland@infastech.co
 m

INDIA
**Infastech Fastening Technologies
 India Private Limited**
 Plot No OZ-14, Hi Tech SEZ,
 SIPCOT Industrial Growth Center,
 Oragadam, Sriperumbudur Taluk,
 Kanchipuram District,
 602105 Tamilnadu
 Tel: +91 44 4711 8001
 Fax: +91 44 4711 8009
 info-in@infastech.com

ITALY
Avdel Italia S.r.l.
 Viale Lombardia 51/53
 20861 Brugherio (MB)
 Tel: +39 039 289911
 Fax: +39 039 2873079
 vendite@infastech.com

JAPAN
Infastech Kabushiki Kaisha
 Center Minami SKY,
 3-1 Chigasaki-Chuo, Tsuzuki-ku,
 Yokohama-city,
 Kanagawa Prefecture
 Japan 224-0032
 Tel: +81 45 947 1200
 Fax: +81 45 947 1205
 info@infastech.co.jp

MALAYSIA
Infastech (Malaysia) Sdn Bhd
 Lot 63, Persiaran Bunga
 Tanjung 1,
 Senawang Industrial Park
 70400 Seremban
 Negeri Sembilan
 Tel: +606 676 7168
 Fax: +606 676 7101
 info-my@infastech.com

SINGAPORE
Infastech (Singapore) Pte Ltd.
 31 Kaki Bukit Road 3
 #05-03/06 Techlink
 Singapore, 417818
 Tel: +65 6372 5653
 Fax: +65 6744 5643
 info-sg@infastech.com

SOUTH KOREA
Infastech (Korea) Ltd.
 32-9, Jik-dong,
 Gwangju-si, Gyeonggi-do,
 Korea, 464-090
 Tel: +82 1661 6342
 +82 31 798 6340
 Fax: +82 31 798 6342
 info@infastech.co.kr

SPAIN
Avdel Spain S.A.
 C/ Puerto de la
 Morcuera, 14
 Poligono Industrial Prado
 Overa
 Ctra. de Toledo, km 7,8
 28919 Leganés (Madrid)
 Tel: +34 91 3416767
 Fax: +34 91 3416740
 ventas@infastech.com

TAIWAN
Infastech/Tri-Star Limited
 No 269-7, Baodong Rd,
 Guanmiao Dist.
 Tainan City
 Taiwan, R.O.C. 71841
 Tel: +886 6 596 5798 (ext 201)
 Fax: +886 6 596 5758
 info-tw@infastech.com

THAILAND
Infastech Thal Co., Ltd
 64/132 Moo 4 Tambon
 Pluakdaeng
 Amphur Pluakdaeng Rayong
 21140 Thailand
 Tel: +66 (0) 38 656360
 Fax: +66 (0) 38 656346
 info-th@infastech.com

UNITED KINGDOM
Avdel UK Limited
 Pacific House
 2 Swiftfields
 Watchmead Industrial Estate
 Welwyn Garden City
 Hertfordshire AL7 1LY
 Tel: +44 (0) 1707 292000
 Fax: +44 (0) 1707 292199
 enquiries@infastech.com

USA
Avdel USA LLC
 614 NC Highway 200 South
 Stanfield, North Carolina 28163
 Tel: +1 704 888 7100
 Fax: +1 704 888 0258
 infoAvdel-USA@infastech.com

Infastech (Decorah) LLC
 1304 Kerr Drive
 Decorah, IA 52101
 Tel: +1 563 382 4216
 Fax: +1 563 387 3540

Manual No.	Issue	Change Note No.
07900-00905	D	12/153

www.avdel-global.com

www.infastech.com

AV™, Autosert® (equipment), Avbolt®, Avdel®, Avdelmate®, Avdel TX2000®, Avdelok®, Avex®, Avibulb®, Avinox®, Avinut®, Avlug®, Avmatic®, Avplas®, Avseal®, Avsert®, Avtainer®, Avtronic®, Briv®, Bulbex®, Chobert®, Eurosert®, Fastriv®, Finsert®, Genesis®, Grovit®, Hemlok®, Hexsert®, Holding your world together®, Hydra®, Infalok®, Interlock®, Klamp-Tite®, KlampTite KTR®, Kvex®, Maxlok®, Monobolt®, Monobulb®, Neobolt®, Nutsert®, Nutsert SQ®, Portariv®, Rivmatic®, Rivscrew®, Speed Fastening®, Squaresert®, Stavex®, Supersert®, Thin Sheet Nutsert®, Titan®, T-Lok®, TLR®, TSN®, TX2000®, Versa-Nut®, Viking® and Viking 360® are trademarks of Avdel UK Limited. eRiv™, Infastech®, NeoSpeed® and Our Technology, Your Success™ are trademarks of Infastech Intellectual Properties Pte Ltd. The names and logos of other companies mentioned herein may be trademarks of their respective owners.

This document is for informational purposes only. Infastech makes no warranties, expressed or implied, in this document. Data shown is subject to change without prior notice as a result of continuous product development and improvement policy. Your local Avdel representative is at your disposal should you need to confirm latest information.