

## 74100 & 74101 Threaded Insert Power Tool Nose Assembly Fitting Instructions

### IMPORTANT

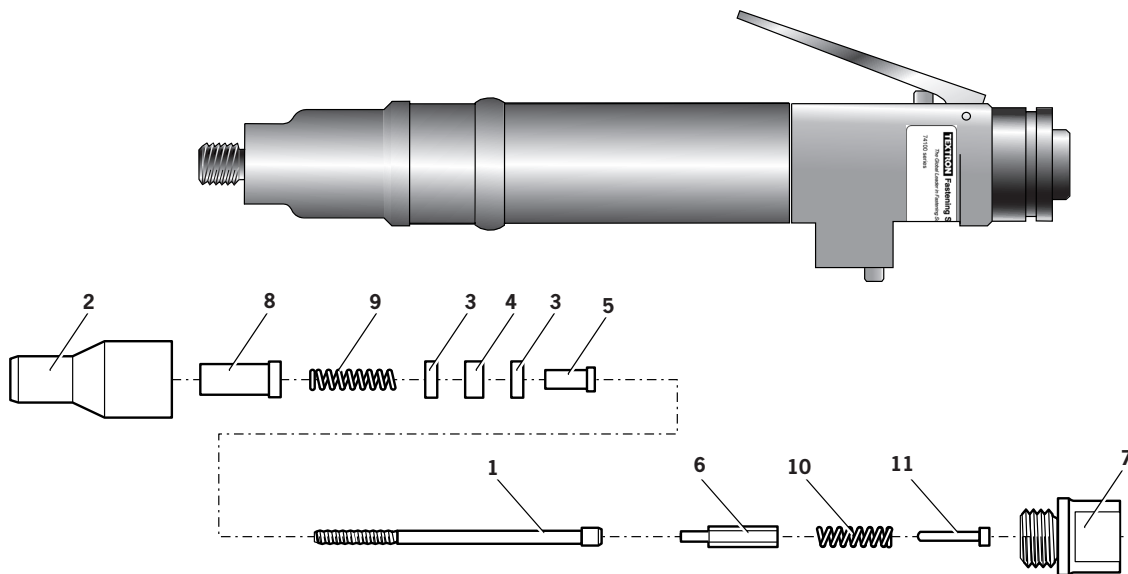
The air supply must be disconnected when fitting or removing nose assemblies unless specifically instructed otherwise.

### Fitting Instructions

**Note:** Before fitting the nose equipment, ensure the clutch on the tool is set to the correct torque for the insert being placed. It is also essential that the correct Nose Assembly is fitted prior to operating the tool. Torque Values and complete Nose Assembly part numbers can be found in the 74100 & 74101 Instruction Manual sections Tool Selection and Nose Assemblies respectively.

Item numbers in **bold** refer to illustration below:

- Where applicable, insert Sleeve **8** and Thrust Spring **9** into Nose Housing **2**.
- Coat Thrust Washers **3** and Thrust Bearing **4** with high pressure grease (eg. Shell Alvania E.P.I.) and locate them in the order shown below into the Nose Housing **2**.
- Where applicable, fit Spacer **5** through Thrust Washers and Thrust Bearing.
- Insert Drive Screw **1** through the above assembly.
- Fit Drive Shaft **6** into the hexagonal hole in the Drive Screw head.
- Insert Stop **11** and Spring **10** into the front of the Base Tool.
- Screw Adaptor **7** into Clutch Housing of the Base Tool (left hand thread).
- Offer up the Nose Assembly to the Adaptor. It will be necessary to rotate the Drive Screw by hand to locate the hexagon on the Drive Shaft with the hexagonal hole in the front jaw of the Base Tool.
- Screw the Nose Housing onto the Adaptor and tighten with a suitable spanner (left hand thread).



### Servicing Instructions

Nose assemblies should be serviced at weekly intervals.

- Remove complete Nose Assembly using the reverse procedure to the 'Fitting Instructions'.
- Any worn or damaged part should be replaced.
- Particularly check wear on Drive Screw, Thrust Washers and Thrust Bearing.
- Lubricate Thrust Washers and Thrust Bearing with high pressure grease (eg Shell Alvania E.P.I.).
- Check Springs are not distorted. Replace if necessary.
- Reassemble according to fitting instructions.

## 74110 Threaded Insert Power Tool Nose Assembly Fitting Instructions

### IMPORTANT

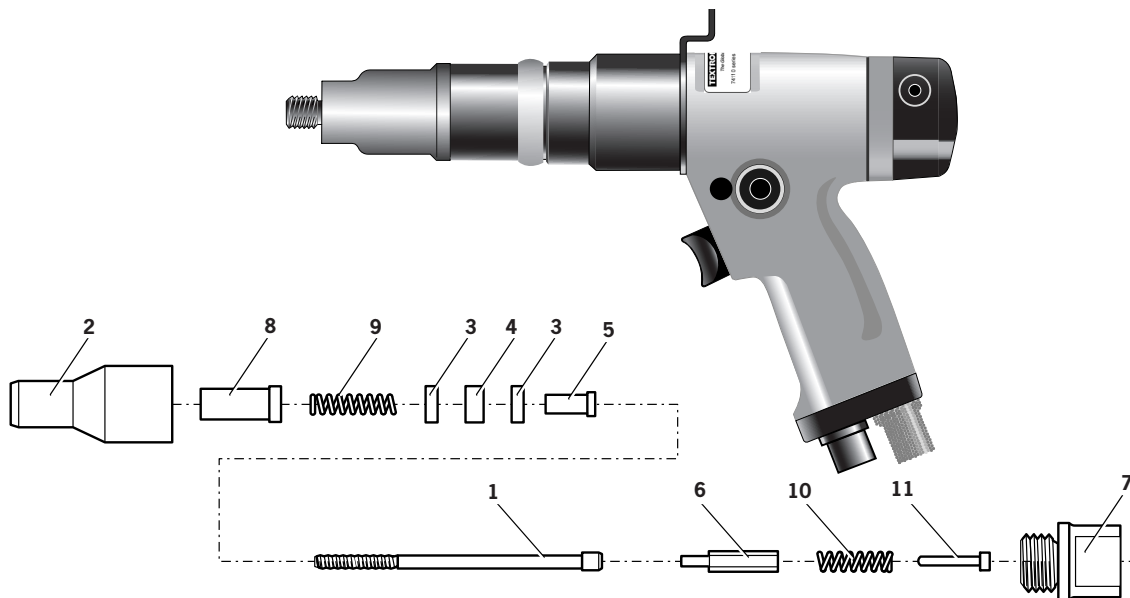
The air supply must be disconnected when fitting or removing nose assemblies unless specifically instructed otherwise.

### Fitting Instructions

**Note:** Before fitting the nose equipment, ensure the clutch on the tool is set to the correct torque for the insert being placed. It is also essential that the correct Nose Assembly is fitted prior to operating the tool. Torque Values and complete Nose Assembly part numbers can be found in the 74110 Instruction Manual sections Tool Selection and Nose Assemblies respectively.

Item numbers in **bold** refer to illustration below:

- Where applicable, insert Sleeve **8** and Thrust Spring **9** into Nose Housing **2**.
- Coat Thrust Washers **3** and Thrust Bearing **4** with high pressure grease (eg. Shell Alvania E.P.I.) and locate them in the order shown below into the Nose Housing **2**.
- Where applicable, fit Spacer **5** through Thrust Washers and Thrust Bearing.
- Insert Drive Screw **1** through the above assembly.
- Fit Drive Shaft **6** into the hexagonal hole in the Drive Screw head.
- Insert Stop **11** and Spring **10** into the front of the Base Tool.
- Screw Adaptor **7** into Clutch Housing of the Base Tool (left hand thread).
- Offer up the Nose Assembly to the Adaptor. It will be necessary to rotate the Drive Screw by hand to locate the hexagon on the Drive Shaft with the hexagonal hole in the front jaw of the Base Tool.
- Screw the Nose Housing onto the Adaptor and tighten with a suitable spanner (left hand thread).



### Servicing Instructions

Nose assemblies should be serviced at weekly intervals.

- Remove complete Nose Assembly using the reverse procedure to the 'Fitting Instructions'.
- Any worn or damaged part should be replaced.
- Particularly check wear on Drive Screw, Thrust Washers and Thrust Bearing.
- Lubricate Thrust Washers and Thrust Bearing with high pressure grease (eg Shell Alvania E.P.I.).
- Check Springs are not distorted. Replace if necessary.
- Reassemble according to fitting instructions.





Since 1922

**Avdel® iForm™**

Since 1936

2010



Our Technology, Your Success

**AUSTRALIA**

**Infastech (Australia) Pty Ltd.**

891 Wellington Road  
Rowville  
Victoria 3178  
Tel: +61 3 9765 6400  
Fax: +61 3 9765 6445  
info@infastech.com.au

**CANADA**

**Avdel Canada Limited**

1030 Lorimar Drive  
Mississauga  
Ontario L5S 1R8  
Tel: +1 905 364 0664  
Fax: +1 905 364 0678  
infoAvdel-Canada@infastech.com

**CHINA**

**Infastech (China) Ltd.**

RM 1708, 17/F., Nanyang Plaza,  
57 Hung To Rd., Kwun Tong  
Hong Kong  
Tel: +852 2950 0631  
Fax: +852 2950 0022  
infochina@infastech.com

**FRANCE**

**Avdel France S.A.S.**

33 bis, rue des Ardennes  
BP4  
75921 Paris Cedex 19  
Tel: +33 (0) 1 4040 8000  
Fax: +33 (0) 1 4208 2450  
AvdelFrance@infastech.com

**GERMANY**

**Avdel Deutschland GmbH**

Klusriede 24  
30851 Langenhagen  
Tel: +49 (0) 511 7288 0  
Fax: +49 (0) 511 7288 133  
AvdelDeutschland@infastech.com

**INDIA**

**Infastech Fastening Technologies**

**India Private Limited**

Plot No OZ-14, Hi Tech SEZ,  
SIPCOT Industrial Growth Center,  
Oragadam, Sriperumbudur Taluk,  
Kanchipuram District,  
602105 Tamilnadu  
Tel: +91 44 4711 8001  
Fax: +91 44 4711 8009  
info-in@infastech.com

**ITALY**

**Avdel Italia S.r.l.**

Viale Lombardia 51/53  
20047 Brugherio (MI)  
Tel: +39 039 289911  
Fax: +39 039 2873079  
vendite@infastech.com

**JAPAN**

**Infastech Kabushiki Kaisha**

Center Minami SKY,  
3-1 Chigasaki-Chuo, Tsuzuki-ku,  
Yokohama-city,  
Kanagawa Prefecture  
Japan 224-0032  
Tel: +81 45 947 1200  
Fax: +81 45 947 1205  
info@infastech.co.jp

**MALAYSIA**

**Infastech (Malaysia) Sdn Bhd**

Lot 63, Persiaran Bunga Tanjung 1,  
Senawang Industrial Park  
70400 Seremban  
Negeri Sembilan  
Tel: +606 676 7168  
Fax: +606 676 7101  
info-my@infastech.com

**SINGAPORE**

**Infastech (Singapore) Pte Ltd.**

31 Kaki Bukit Road 3  
#05-03/06 Techlink  
Singapore, 417818  
Tel: +65 6372 5653  
Fax: +65 6744 5643  
info-sg@infastech.com

**SOUTH KOREA**

**Infastech (Korea) Ltd.**

212-4, Suyang-Ri,  
Silchon-Eup, Kwangju-City,  
Kyunggi-Do, Korea, 464-874  
Tel: +82 31 798 6340  
Fax: +82 31 798 6342  
info@infastech.co.kr

**SPAIN**

**Avdel Spain S.A.**

C/ Puerto de la Morcuera, 14  
Poligono Industrial Prado Overa  
Ctra. de Toledo, km 7,8  
28919 Leganés (Madrid)  
Tel: +34 91 3416767  
Fax: +34 91 3416740  
ventas@infastech.com

**TAIWAN**

**Infastech/Tri-Star Limited**

No 269-7, Baodong Rd,  
Guanmiao Township,  
71841 Tainan County,  
Taiwan, R.O.C  
Tel: +886 6 596 5798 (ext 201)  
Fax: +886 6 596 5758  
info-tw@infastech.com

**UNITED KINGDOM**

**Avdel UK Limited**

Pacific House  
2 Swiftfields  
Watchmead Industrial Estate  
Welwyn Garden City  
Hertfordshire AL7 1LY  
Tel: +44 (0) 1707 292000  
Fax: +44 (0) 1707 292199  
enquiries@infastech.com

**USA**

**Avdel USA LLC**

614 NC Highway 200 South  
Stanfield, North Carolina 28163  
Tel: +1 704 888 7100  
Fax: +1 704 888 0258  
infoAvdel-USA@infastech.com

Manual No.	Issue	Change Note No.
07900-00812	A	07/176
	A2	11/072

[www.avdel-global.com](http://www.avdel-global.com)  
[www.infastech.com](http://www.infastech.com)

Autosert® (equipment), Avbolt®, Avdel®, Avdelmate®, Avdel TX2000®, Avdelok®, Avex®, Avibulb®, Avinox®, Avinut™, Avlug®, Avmatic®, Avplas®, Avseal®, Avsert®, Avtainer®, Avtronic®, Briv®, Bulbex®, Chobert®, Eurosert®, Fastriv®, Finsert®, Genesis®, Grovit®, Hemlok®, Hexsert®, Holding your world together®, Hydra®, Interlock®, Klamp-Tite®, KlampTite KTR®, Kvex®, Maxlok®, Monobolt®, Monobulb®, Neobolt®, Nutsert®, Nutsert SQ®, Portariv®, Rivmatic®, Rivscrew®, Speed Fastening®, Squaresert®, Stavex®, Supersert®, Thin Sheet Nutsert®, Titan®, T-Lok®, TLR®, TSN®, TX2000®, Versa-Nut®, Viking® and Viking 360® are trademarks of Avdel UK Limited. Infastech™ and Our Technology, Your Success™ are trademarks of Infastech Intellectual Properties Pte Ltd. The names and logos of other companies mentioned herein may be trademarks of their respective owners. This document is for informational purposes only. Infastech makes no warranties, expressed or implied, in this document. Data shown is subject to change without prior notice as a result of continuous product development and improvement policy. Your local Avdel representative is at your disposal should you need to confirm latest information.