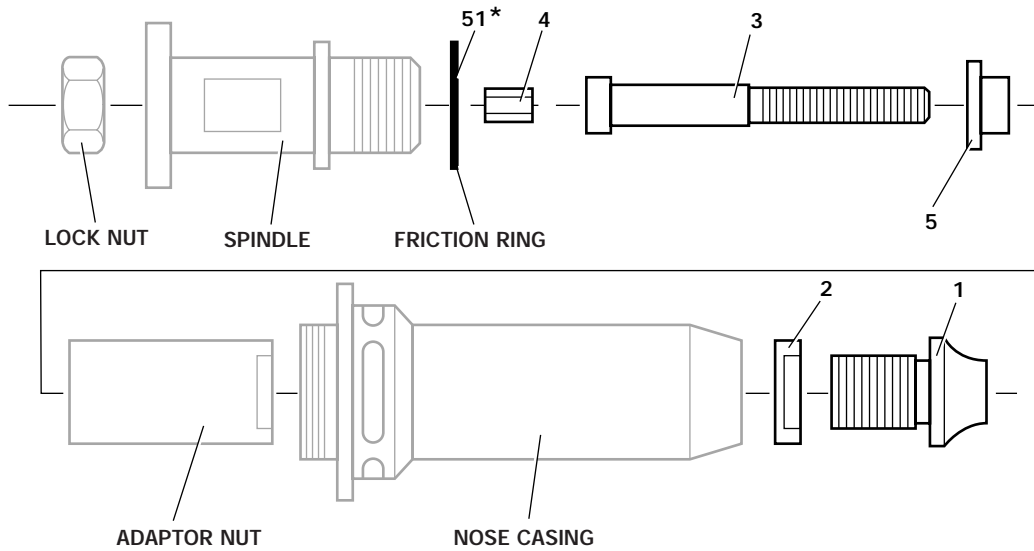


Versa-Nut® Nose Equipment Datasheet

74405 Tool



Items in grey are included in the base tool. The item numbers refer to the table in the 'Selecting a Nose Assembly' table below.

Item 51* is included in the base tool and the selected Nose Assembly.

Selecting a Nose Assembly

SELECTING A NOSE ASSEMBLY					
INSERT SIZE	NOSE ASSEMBLY	ITEM 1 & 2	ITEM 3	ITEM 4	ITEM 5
		Nose Tip	Drive Screw	Drive Shaft	Reducing Sleeve
M4	07555-10184	07555-00904	07555-10004	07555-01004	07555-09104
M5	07555-10185	07555-00915	07555-10005	07555-01005	07555-09105
M6	07555-10186	07555-00906	07555-10006	07555-01006	07555-09106
M8	07555-10188	07555-00908	07555-10008	07555-01008	07555-09108
M10	07555-10180	07555-00910	07555-10010	07555-01010	-

Fitting Instructions

I M P O R T A N T

The Nose Assembly must be fitted before operating the tool.

It is essential that the correct nose assembly is fitted prior to operating the tool. By knowing your original complete tool part number or the details of the fastener to be placed, you will be able to order a new complete nose assembly using the 'Selecting a Nose Assembly' table on page 1 of this datasheet.

I M P O R T A N T

The air supply must be disconnected when fitting or removing nose assemblies unless specifically instructed otherwise.

- If still fitted remove the nose casing and adaptor nut.
- Insert Drive Shaft **4** into spindle.
- Fit Drive Screw **3** onto Drive Shaft **4**.
- Insert Reducing Sleeve **5** (if required) into the adaptor nut.
- Position Friction Ring **51*** onto the spindle.
- Screw the adaptor nut onto the spindle.
- Hold the spindle with a spanner*, tighten the lock nut anti-clockwise, ensuring the friction ring is not caught between the faces of the spindle and the adaptor nut.
- Screw on the nose casing together with Nose Tip **1** and nose tip Lock Nut **2**.
- The reverse operation is carried out for equipment removal.
- With tool still disconnected from air supply, screw one insert onto the drive screw manually making sure the insert is flush with the end of the drive screw.
- Set nose tip in exact position and lock nose tip nut clockwise with a spanner*.
- Remove the insert from the drive screw.

(Item numbers in **bold** refer to the illustration on page 1 of this datasheet)

* Item included in the 74405 Service Kit, part number 74405-99990

Servicing Instructions

- Remove the nose equipment using the reverse procedure to the 'Fitting Instructions' (see above).
- Any worn or damaged part should be replaced.
- Particularly check wear on Drive Screw **3** and Drive Shaft **4**.
- Assemble according to fitting instructions.

(Item numbers in **bold** refer to illustration on page 1 of this datasheet)

Notes



Since 1922



Since 1936

2010



Our Technology, Your Success

AUSTRALIA

Infastech (Australia) Pty Ltd.

891 Wellington Road
Rowville
Victoria 3178
Tel: +61 3 9765 6400
Fax: +61 3 9765 6445
info@infastech.com.au

CANADA

Avdel Canada Limited

1030 Lorimar Drive
Mississauga
Ontario L5S 1R8
Tel: +1 905 364 0664
Fax: +1 905 364 0678
infoAvdel-Canada@infastech.com

CHINA

Infastech (China) Ltd.

RM 1708, 17/F., Nanyang Plaza,
57 Hung To Rd., Kwun Tong
Hong Kong
Tel: +852 2950 0631
Fax: +852 2950 0022
infochina@infastech.com

FRANCE

Avdel France S.A.S.

33 bis, rue des Ardennes
BP4
75921 Paris Cedex 19
Tel: +33 (0) 1 4040 8000
Fax: +33 (0) 1 4208 2450
AvdelFrance@infastech.com

GERMANY

Avdel Deutschland GmbH

Klusriede 24
30851 Langenhagen
Tel: +49 (0) 511 7288 0
Fax: +49 (0) 511 7288 133
AvdelDeutschland@infastech.com

INDIA

Infastech Fastening Technologies

India Private Limited

Plot No OZ-14, Hi Tech SEZ,
SIPCOT Industrial Growth Center,
Oragadam, Sriperumbudur Taluk,
Kanchipuram District,
602105 Tamilnadu
Tel: +91 44 4711 8001
Fax: +91 44 4711 8009
info-in@infastech.com

ITALY

Avdel Italia S.r.l.

Viale Lombardia 51/53
20047 Brugherio (MI)
Tel: +39 039 289911
Fax: +39 039 2873079
vendite@infastech.com

JAPAN

Infastech Kabushiki Kaisha

Center Minami SKY,
3-1 Chigasaki-Chuo, Tsuzuki-ku,
Yokohama-city,
Kanagawa Prefecture
Japan 224-0032
Tel: +81 45 947 1200
Fax: +81 45 947 1205
info@infastech.co.jp

MALAYSIA

Infastech (Malaysia) Sdn Bhd

Lot 63, Persiaran Bunga Tanjung 1,
Senawang Industrial Park
70400 Seremban
Negeri Sembilan
Tel: +606 676 7168
Fax: +606 676 7101
info-my@infastech.com

SINGAPORE

Infastech (Singapore) Pte Ltd.

31 Kaki Bukit Road 3
#05-03/06 Techlink
Singapore, 417818
Tel: +65 6372 5653
Fax: +65 6744 5643
info-sg@infastech.com

SOUTH KOREA

Infastech (Korea) Ltd.

212-4, Suyang-Ri,
Silchon-Eup, Kwangju-City,
Kyunggi-Do, Korea, 464-874
Tel: +82 31 798 6340
Fax: +82 31 798 6342
info@infastech.co.kr

SPAIN

Avdel Spain S.A.

C/ Puerto de la Morcuera, 14
Poligono Industrial Prado Overa
Ctra. de Toledo, km 7,8
28919 Leganés (Madrid)
Tel: +34 91 3416767
Fax: +34 91 3416740
ventas@infastech.com

TAIWAN

Infastech/Tri-Star Limited

No 269-7, Baodong Rd,
Guanmiao Township,
71841 Tainan County,
Taiwan, R.O.C
Tel: +886 6 596 5798 (ext 201)
Fax: +886 6 596 5758
info-tw@infastech.com

UNITED KINGDOM

Avdel UK Limited

Pacific House
2 Swiftfields
Watchmead Industrial Estate
Welwyn Garden City
Hertfordshire AL7 1LY
Tel: +44 (0) 1707 292000
Fax: +44 (0) 1707 292199
enquiries@infastech.com

USA

Avdel USA LLC

614 NC Highway 200 South
Stanfield, North Carolina 28163
Tel: +1 704 888 7100
Fax: +1 704 888 0258
infoAvdel-USA@infastech.com

Data Sheet No.	Issue	Change Note No.
07900-00857	A	05/531
	B	07/044
	B2	07/103
	B3	11/072

www.avdel-global.com
www.infastech.com

Autosert® (equipment), Avbolt®, Avdel®, Avdelmate®, Avdel TX2000®, Avdelok®, Avex®, Avibulb®, Avinox®, Avinut™, Avlug®, Avmatic®, Avplas®, Avseal®, Avsert®, Avtainer®, Avtronic®, Briv®, Bulbex®, Chobert®, Eurosert®, Fastriv®, Finsert®, Genesis®, Grovit®, Hemlok®, Hexsert®, Holding your world together®, Hydra®, Interlock®, Klamp-Tite®, KlampTite KTR®, Kvex®, Maxlok®, Monobolt®, Monobulb®, Neobolt®, Nutsert®, Nutsert SQ®, Portariv®, Rivmatic®, Rivscrew®, Speed Fastening®, Squaresert®, Stavex®, Supersert®, Thin Sheet Nutsert®, Titan®, T-Lok®, TLR®, TSN®, TX2000®, Versa-Nut®, Viking® and Viking 360® are trademarks of Avdel UK Limited. Infastech™ and Our Technology, Your Success™ are trademarks of Infastech Intellectual Properties Pte Ltd. The names and logos of other companies mentioned herein may be trademarks of their respective owners. This document is for informational purposes only. Infastech makes no warranties, expressed or implied, in this document. Data shown is subject to change without prior notice as a result of continuous product development and improvement policy. Your local Avdel representative is at your disposal should you need to confirm latest information.