

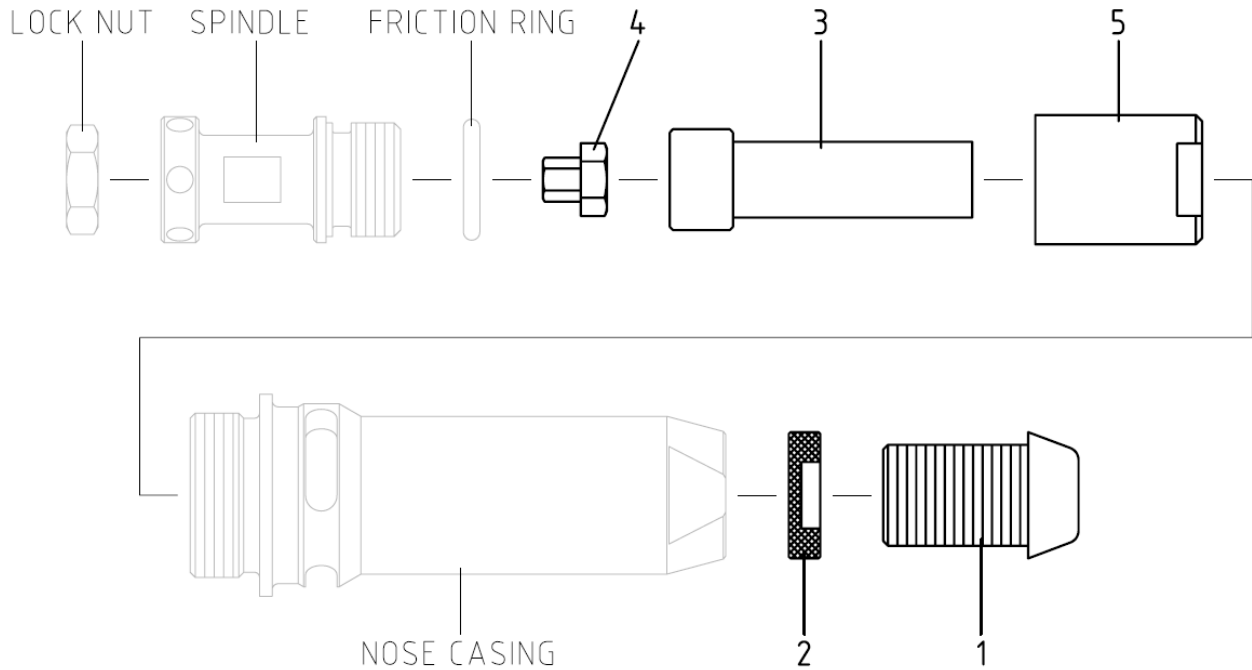
74200 Threaded Insert Power Tool

Stud Nose Equipment Fitting Instructions

IMPORTANT

The nose assembly must be fitted before operating the tool.

Nose Assembly



Items in grey are included in the Base Tool, part numbers can be found in the General Assembly of the Base Tool section of the 74200 Instruction Manual. Items in black make up the Nose Assembly. These parts will vary depending on Insert size. Refer to the Nose Assemblies section of the 74200 Instruction Manual.

Selecting a Nose Assembly

INSERT SIZE	NOSE ASSEMBLY	ITEM 1 NOSE TIP	ITEM 2 LOCK NUT	ITEM 3 DRIVE SCREW	ITEM 4 DRIVE SHAFT	ITEM 5 REDUCING SLEEVE
M4	07559-03044	07559-03047	07555-00901	07559-03050	07555-01012	74200-12119 *
M5	07559-03045	07559-03048	07555-00901	07559-03051	07555-01012	74200-12119 *
M6	07559-03046	07559-03049	07555-00901	07559-03052	07555-01012	74200-12119 *
M8	07559-03039	07559-03040	07555-00901	07559-03041	07555-01012	74200-12119 *
M10	74200-12222 **	74200-12220	07555-00901	74200-12221	-	-

* Reducing Sleeve 5 replaces Adaptor Nut fitted to Base Tool.

** Nose Assembly includes special Nose Casing 07555-00315. The standard Nose Casing 74200-12091 fitted to the Base Tool is not used for this type of M10 Nose Assembly.

Fitting Instructions

IMPORTANT

The air supply must be disconnected when fitting or removing nose assemblies unless specifically instructed otherwise.

Prior to fitting ensure that the Tool is set at zero stroke by turning Rear Casing clockwise until stop occurs.

Item numbers in **bold** refer to the illustration.

- Remove the Nose Casing.
- Remove the Adaptor Nut.
- Insert Drive Shaft **4** into Spindle.
- Fit Drive Screw **3** onto Drive Shaft **4**.
- Fit the Friction Ring onto the Spindle.
- Screw Reducing Sleeve **5** onto Spindle. Hold Spindle with a suitable spanner and tighten Lock Nut against Spindle.
- Screw Lock Nut **2** onto Nose Tip **1** and screw into Nose Casing.
- Screw Nose Casing onto Tool.
- The reverse operation is carried out for equipment removal.

- With Tool still disconnected from air supply, screw Nose Tip **1** into Nose Casing until it stops against Drive Screw **3**, then unscrew Nose Tip **1** one complete turn.
- Holding Nose Tip **1** in position, screw Lock Nut **2** onto front face of Nose Casing and tighten using a suitable spanner.
- Adjust Tool stroke as shown in the Stroke Adjustment section of 74200 Instruction Manual.

Servicing Instructions

IMPORTANT

The air supply must be disconnected when fitting or removing nose assemblies unless specifically instructed otherwise.

Nose assemblies should be serviced at weekly intervals.

- Remove the complete Nose Assembly using the reverse procedure to the Fitting Instructions.
- Any worn or damaged part should be replaced by a new part.
- Particularly check wear on Drive Screw **3** and Drive Shaft **4**.
- Assemble according to Fitting Instructions.

AUSTRALIA
Infastech (Australia) Pty Ltd.
 891 Wellington Road
 Rowville
 Victoria 3178
 Tel: +61 3 9765 6400
 Fax: +61 3 9765 6445
 info@infastech.com.au

CANADA
Avdel Canada Limited
 1030 Lorimar Drive
 Mississauga
 Ontario L5S 1R8
 Tel: +1 905 364 0664
 Fax: +1 905 364 0678
 infoAvdel-Canada@infastech.com

CHINA
Infastech (China) Ltd.
 RM 1708, 17/F., Nanyang Plaza,
 57 Hung To Rd., Kwun Tong
 Hong Kong
 Tel: +852 2950 0631
 Fax: +852 2950 0022
 infochina@infastech.com

FRANCE
Avdel France S.A.S.
 33 bis, rue des Ardennes
 BP4
 75921 Paris Cedex 19
 Tel: +33 (0) 1 4040 8000
 Fax: +33 (0) 1 4208 2450
 AvdelFrance@infastech.com

GERMANY
Avdel Deutschland GmbH
 Klusriede 24
 30851 Langenhagen
 Tel: +49 (0) 511 7288 0
 Fax: +49 (0) 511 7288 133
 AvdelDeutschland@infastech.com

INDIA
Infastech Fastening Technologies
India Private Limited
 Plot No OZ-14, Hi Tech SEZ,
 SIPCOT Industrial Growth Center,
 Oragadam, Sriperumbudur Taluk,
 Kanchipuram District,
 602105 Tamilnadu
 Tel: +91 44 4711 8001
 Fax: +91 44 4711 8009
 info-in@infastech.com

ITALY
Avdel Italia S.r.l.
 Viale Lombardia 51/53
 20047 Brugherio (MI)
 Tel: +39 039 289911
 Fax: +39 039 2873079
 vendite@infastech.com

JAPAN
Infastech Kabushiki Kaisha
 Center Minami SKY,
 3-1 Chigasaki-Chuo, Tsuzuki-ku,
 Yokohama-city,
 Kanagawa Prefecture
 Japan 224-0032
 Tel: +81 45 947 1200
 Fax: +81 45 947 1205
 info@infastech.co.jp

MALAYSIA
Infastech (Malaysia) Sdn Bhd
 Lot 63, Persiaran Bunga Tanjung 1,
 Senawang Industrial Park
 70400 Seremban
 Negeri Sembilan
 Tel: +606 676 7168
 Fax: +606 676 7101
 info-my@infastech.com

SINGAPORE
Infastech (Singapore) Pte Ltd.
 31 Kaki Bukit Road 3
 #05-03/06 Techlink
 Singapore, 417818
 Tel: +65 6372 5653
 Fax: +65 6744 5643
 info-sg@infastech.com

SOUTH KOREA
Infastech (Korea) Ltd.
 2124, Suyang-Ri,
 Silchon-Eup, Kwangju-City,
 Kyunggi-Do, Korea, 464-874
 Tel: +82 31 798 6340
 Fax: +82 31 798 6342
 info@infastech.co.kr

SPAIN
Avdel Spain S.A.
 C/ Puerto de la Morcuera, 14
 Poligono Industrial Prado Overa
 Ctra. de Toledo, km 7,8
 28919 Leganés (Madrid)
 Tel: +34 91 3416767
 Fax: +34 91 3416740
 ventas@infastech.com

TAIWAN
Infastech/Tri-Star Limited
 No 269-7, Baodong Rd,
 Guanmiao Township,
 71841 Tainan County,
 Taiwan, R.O.C
 Tel: +886 6 596 5798 (ext 201)
 Fax: +886 6 596 5758
 info-tw@infastech.com

UNITED KINGDOM
Avdel UK Limited
 Pacific House
 2 Swiftfields
 Watchmead Industrial Estate
 Welwyn Garden City
 Hertfordshire AL7 1LY
 Tel: +44 (0) 1707 292000
 Fax: +44 (0) 1707 292199
 enquiries@infastech.com

USA
Avdel USA LLC
 614 NC Highway 200 South
 Stanfield, North Carolina 28163
 Tel: +1 704 888 7100
 Fax: +1 704 888 0258
 infoAvdelUSA@infastech.com

Datasheet Number	Issue	Change Note No.	Date
07900-00920	A2	11/072	03-2011

www.avdel-global.com
www.infastech.com

Autosert® (equipment), Avbolt®, Avdel®, Avdelmate®, Avdel TX2000®, Avdelok®, Avex®, Avibulb®, Avinox®, Avinut™, Avlug®, Avmatic®, Avplas®, Avseal®, Avsert®, Avtainer®, Avtronic®, Briv®, Bulbex®, Chobert®, Eurosert®, Fastriv®, Finsert®, Genesis®, Grovit®, Hemlok®, Hexsert®, Holding your world together®, Hydra®, Interlock®, Klamp-Tite®, Klampite KTR®, Kvex®, Maxlok®, Monobolt®, Monobulb®, Neobolt®, Nutsert®, Nutsert SQ®, Portariv®, Rivmatic®, Rivscrew®, Speed Fastening®, Squaresert®, Stavex®, Supersert®, Thin Sheet Nutsert®, Titan®, T-Lok®, TLR®, TSN®, TX2000®, Versa-Nut®, Viking® and Viking 360® are trademarks of Avdel UK Limited. Infastech™ and Our Technology, Your Success™ are trademarks of Infastech Intellectual Properties Pte Ltd. The names and logos of other companies mentioned herein may be trademarks of their respective owners. This document is for informational purposes only. Infastech makes no warranties, expressed or implied, in this document. Data shown is subject to change without prior notice as a result of continuous product development and improvement policy. Your local Avdel representative is at your disposal should you need to confirm latest information.