

- EN Hydro-Pneumatic Power Module
- ESM Módulo hidroneumático
- ERC Module d'alimentation hydro-pneumatique
- PTB Módulo Eléctrico Hidropneumático



71501 Module for Blind Rivets

Hydro-Pneumatic Power Module

©2021 STANLEY Black & Decker
All rights reserved.

The information provided may not be reproduced and/or made public in any way and through any means (electronically or mechanically) without prior explicit and written permission from STANLEY Engineered Fastening. The information provided is based on the data known at the moment of the introduction of this product. STANLEY Engineered Fastening pursues a policy of continuous product improvement and therefore the products may be subject to change. The information provided is applicable to the product as delivered by STANLEY Engineered Fastening. Therefore, STANLEY Engineered Fastening cannot be held liable for any damage resulting from deviations from the original specifications of the product.

The information available has been composed with the utmost care. However, STANLEY Engineered Fastening will not accept any liability with respect to any faults in the information nor for the consequences thereof. STANLEY Engineered Fastening will not accept any liability for damage resulting from activities carried out by third parties. The working names, trade names, registered trademarks, etc. used by STANLEY Engineered Fastening should not be considered as being free, pursuant to the legislation with respect to the protection of trademarks.

CONTENT

1. SAFETY DEFINITIONS	4
1.1 GENERAL SAFETY RULES	4
1.2 PROJECTILE HAZARDS	4
1.3 OPERATING HAZARDS	5
1.4 REPETITIVE MOTIONS HAZARDS.....	5
1.5 ACCESSORY HAZARDS	5
1.6 WORKPLACE HAZARDS.....	5
1.7 NOISE HAZARDS.....	5
1.8 ADDITIONAL SAFETY INSTRUCTIONS FOR HYDRAULIC POWER TOOLS	5
2. SPECIFICATIONS.....	7
2.1 INTENT OF USE	7
2.2 TOOL SPECIFICATION.....	7
2.3 TOOL DIMENSIONS.....	7
3. PUTTING IN SERVICE.....	8
4. OPERATING INSTRUCTIONS	8
5. SERVICING THE TOOL.....	8
5.1 DAILY SERVICING.....	8
5.2 WEEKLY SERVICING.....	8
5.3 ANNUAL SERVICING / EVERY 500K OPERATIONS	8
5.4 SERVICE KIT	9
5.5 HYDRAULIC OIL	9
5.6 DISMANTLING INSTRUCTIONS	9
5.7 PROTECTING THE ENVIRONMENT	10
6. GENERAL ASSEMBLY AND PART LIST	11
6.1 GENERAL ASSEMBLY	11
6.2 PARTS LIST	11
7. SAFETY DATA	12
7.1 HYPIN VG32 OIL SAFETY DATA.....	12
7.2 MOLYLITHIUM GREASE EP 3753 - SAFETY DATA	12
7.3 MOLYKOTE® 111 GREASE - SAFETY DATA	13
8. EC DECLARATION OF INCORPORATION OF PARTLY COMPLETED MACHINERY	14
9. UK DECLARATION OF INCORPORATION OF PARTLY COMPLETED MACHINERY	15
10. PROTECT YOUR INVESTMENT!	16



This instruction manual must be read by any person installing or operating this tool with particular attention to the following safety rules.



Always wear impact-resistant eye protection during operation of the tool. The grade of protection required should be assessed for each use.



Use of the tool can expose the operator's hands to hazards, including crushing, impacts, cuts and abrasions and heat. Wear suitable gloves to protect hands.



Use hearing protection in accordance with employer's instructions and as required by occupational health and safety regulations.

1. SAFETY DEFINITIONS

The definitions below describe the level of severity for each signal word. Please read the manual and pay attention to these symbols.

⚠ DANGER: Indicates an imminently hazardous situation which, if not avoided, will result in death or serious injury.

⚠ WARNING: Indicates a potentially hazardous situation which, if not avoided, could result in death or serious injury.

⚠ CAUTION: Indicates a potentially hazardous situation which, if not avoided, may result in minor or moderate injury.

⚠ CAUTION: Used without the safety alert symbol indicates a potentially hazardous situation which, if not avoided, may result in property damage.

Improper operation or maintenance of this product could result in serious injury and property damage. Read and understand all warnings and operating instructions before using this equipment. When using power tools, basic safety precautions must always be followed to reduce the risk of personal injury.

SAVE ALL WARNINGS AND INSTRUCTIONS FOR FUTURE REFERENCE

1.1 GENERAL SAFETY RULES

- For multiple hazards, read and understand the safety instructions before installing, operating, repairing, maintaining, changing accessories on, or working near the tool. Failure to do so can result in serious bodily injury.
- Only qualified and trained operators must install, adjust or use the tool.
- DO NOT use outside the design intent of placing STANLEY Engineered Fastening Blind Rivets.
- Use only parts, fasteners, and accessories recommended by the manufacturer.
- DO NOT modify the tool. Modifications can reduce the effectiveness of safety measures and increase the risks to the operator. Any modification to the tool undertaken by the customer will be the customer's entire responsibility and void any applicable warranties.
- Do not discard the safety instructions; give them to the operator.
- Do not use the tool if it has been damaged.
- Prior to use, check for misalignment or binding of moving parts, breakage of parts, and any other condition that affects the tool's operation. If damaged, have the tool serviced before using. Remove any adjusting key or wrench before use.
- Tools shall be inspected periodically to verify that the ratings and markings required by this part of ISO 11148 are legibly marked on the tool. The employer/user shall contact the manufacturer to obtain replacement marking labels when necessary.
- The tool must be maintained in a safe working condition at all times and examined at regular intervals for damage and function by trained personnel. Any dismantling procedure will be undertaken only by trained personnel. Do not dismantle this tool without prior reference to the maintenance instructions.

1.2 PROJECTILE HAZARDS

- Disconnect the tool from the hydraulic supply unit before performing any maintenance, attempting to adjust, fit or remove a nose assembly or accessories.
- Be aware that failure of the workpiece or accessories, or even of the inserted tool itself can generate high-velocity projectiles.
- Always wear impact-resistant eye protection during operation of the tool. The grade of protection required should be assessed for each use.
- The risks to others should also be assessed at this time.
- Ensure that the workpiece is securely fixed.
- Check that the means of protection from ejection of fastener and/or mandrel is in place and is operative.
- Warn against the possible forcible ejection of mandrels from the front of the tool.
- DO NOT operate a tool that is directed towards any person(s).

1.3 OPERATING HAZARDS

- When the tool is operated it must not be held in the hand or be in contact with any part of the body. There is a possibility of a shear injury when the piston retracts.
- Use of the tool can expose the operator's hands to hazards, including crushing, impacts, cuts and abrasions and heat. Wear suitable gloves to protect hands.
- Release the start-and-stop device in the case of an interruption of the hydraulic supply.
- Use only lubricants recommended by the manufacturer.
- Contact with hydraulic fluid should be avoided. To minimise the possibility of rashes, care should be taken to wash thoroughly if contact occurs.
- Material Safety Data Sheets for all hydraulic oils and lubricants is available on request from your tool supplier.
- If the tool is fixed to a suspension device, make sure that the fixation is secure.
- Beware of the risk of crushing or pinching if nose equipment is not fitted.
- DO NOT operate tool with the nose casing removed.
- When carrying the tool from place to place keep hands away from the trigger to avoid inadvertent activation.
- DO NOT abuse the tool by dropping or using it as a hammer.
- Care should be taken to ensure that spent mandrels do not create a hazard.

1.4 REPETITIVE MOTIONS HAZARDS

- When using the tool, the operator can experience discomfort in the hands, arms, shoulders, neck or other parts of the body.
- While using the tool, the operator should adopt a comfortable posture whilst maintaining a secure footing and avoiding awkward or off -balance postures. The operator should change posture during extended tasks; this can help avoid discomfort and fatigue.
- If the operator experiences symptoms such as persistent or recurring discomfort, pain, throbbing, aching, tingling, numbness, burning sensations or stiff ness, these warning signs should not be ignored. The operator should tell the employer and consult a qualified health professional.

1.5 ACCESSORY HAZARDS

- Disconnect the tool from the hydraulic supply before fitting or removing the nose assembly or accessory.
- Use only sizes and types of accessories and consumables that are recommended by the manufacturer of the tool; do not use other types or sizes of accessories or consumables.

1.6 WORKPLACE HAZARDS

- Slips, trips and falls are major causes of workplace injury. Be aware of slippery surfaces caused by use of the tool and also of trip hazards caused by the air line or hydraulic hose.
- Proceed with care in unfamiliar surroundings. There can be hidden hazards, such as electricity or other utility lines.
- The tool is not intended for use in potentially explosive atmospheres and is not insulated against contact with electric power.
- Ensure that there are no electrical cables, gas pipes, etc., which can cause a hazard if damaged by use of the tool.
- Dress properly. Do not wear loose clothing or jewellery. Keep your hair, clothing and gloves away from moving parts. Loose clothes, jewellery or long hair can be caught in moving parts.
- Care should be taken to ensure that spent mandrels do not create a hazard.

1.7 NOISE HAZARDS

- Exposure to high noise levels can cause permanent, disabling hearing loss and other problems, such as tinnitus (ringing, buzzing, whistling or humming in the ears). Therefore, risk assessment and the implementation of appropriate controls for these hazards are essential.
- Appropriate controls to reduce the risk may include actions such as damping materials to prevent workpieces from "ringing".
- Use hearing protection in accordance with employer's instructions and as required by occupational health and safety regulations.
- Operate and maintain the tool as recommended in the instruction manual, to prevent an unnecessary increase in the noise level.

1.8 ADDITIONAL SAFETY INSTRUCTIONS FOR HYDRAULIC POWER TOOLS

- The operating hydraulic supply must not exceed 345 bar (5000 PSI).
- Oil under pressure can cause severe injury.
- Do not fit flexible hydraulic hoses rated at less than 700 bar (10,000 PSI) working pressure at a flow rate of 2.73 l/min (200 in 3/min).
- Disconnect hydraulic hoses from the pump unit when tool is not in use, before changing accessories or when making repairs.

- Whipping hoses can cause severe injury. Always check for damaged or loose hoses and fittings.
- Prior to use, inspect hydraulic hoses for damage, all hydraulic connections must be clean, fully engaged and tight before operation. Do not drop heavy objects on hoses. A sharp impact may cause internal damage and lead to premature hose failure.
- Whenever universal twist couplings (claw couplings) are used, lock pins shall be installed and whipcheck safety cables shall be used to safeguard against possible hose-to-tool or hose-to-hose connection failure.
- DO NOT lift the placing module by the hose. Always use the placing module body.
- Keep dirt and foreign matter out of the hydraulic system of the tool as this will cause the tool to malfunction.
- Use only clean oil and filling equipment.
- Only recommended hydraulic fluids may be used.
- Maximum temperature of the hydraulic fluid at the inlet is 110°C (230°F).

STANLEY Engineered Fastening policy is one of continuous product development and improvement and we reserve the right to change the specification of any product without prior notice.

2. SPECIFICATIONS

2.1 INTENT OF USE

The 71501 Module is principally a piston and cylinder assembly. When coupled hydraulically to a compatible hydraulic power source and the relevant nose assembly is attached, it is then used to install blind rivets up to 6.4mm (1/4") in diameter, in Industrial Environments.

The placing module may only be used in accordance with the operating instructions for placing Stanley Engineered Fastening structural rivets.

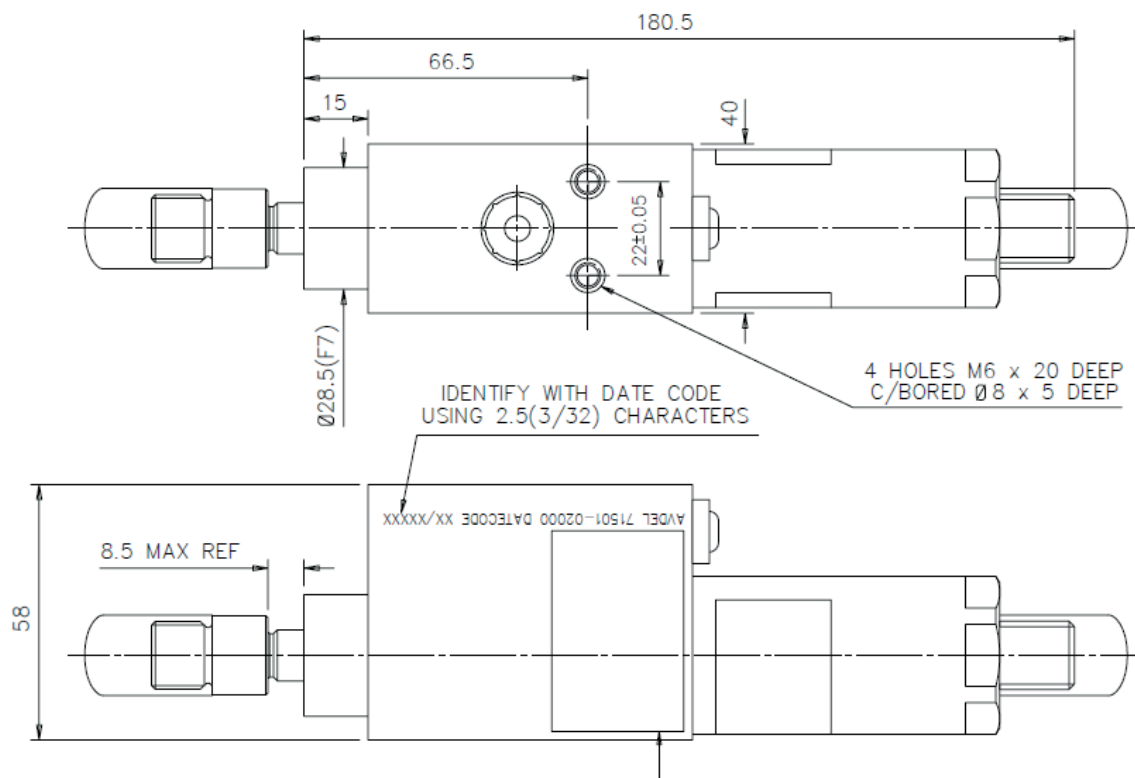
DO NOT use under wet conditions or in the presence of flammable liquids or gases.

The safety instructions must be followed at all times.

2.2 TOOL SPECIFICATION

SPECIFICATION	METRIC	IMPERIAL
Force: Pull at stated pull pressure	12.9 kN	2900 lbf
Pressure: Maximum	345 bar	5000 PSI
Stroke: Piston Stroke	31.75 mm	1.25 in
Piston Bore Diameter: Minimum	4.87 mm	0.19 in
Weight: Without nose equipment	0.77 kg	1.70 lbs

2.3 TOOL DIMENSIONS



All dimensions are shown in millimetres.

3. PUTTING IN SERVICE

IMPORTANT - READ THE SAFETY RULES ON PAGES 4 - 6 AND THE TECHNICAL MANUAL SUPPLIED WITH THE COMPLETE MACHINE CAREFULLY BEFORE PUTTING INTO SERVICE.

THE MODULE IS DESIGNED TO OPERATE AS PART OF A COMPLETE AUTOMATED OR SEMI-AUTOMATED MACHINE. WHEN THE TOOL IS CYCLED IT MUST NOT BE HELD IN THE HAND OR BE IN CONTACT WITH ANY PART OF THE BODY. THERE IS A POSSIBILITY OF A SHEAR INJURY WHEN THE PISTON RETRACTS.

Instructions on installing and removing the module from the machine frame will be included in the Technical Manual supplied with the machine. The Technical Manual will include full instructions on putting the module into service, together with instructions on the dismantling, maintenance and assembly of the Nose Equipment.

4. OPERATING INSTRUCTIONS

IMPORTANT - READ THE SAFETY RULES ON PAGES 4 - 6 AND THE TECHNICAL MANUAL SUPPLIED WITH THE COMPLETE MACHINE CAREFULLY BEFORE OPERATING THE TOOL.

Refer to the Technical Manual supplied with the machine for operating instructions.

5. SERVICING THE TOOL

IMPORTANT - READ THE SAFETY RULES ON PAGES 4 - 6 AND THE TECHNICAL MANUAL SUPPLIED WITH THE COMPLETE MACHINE.

THE EMPLOYER IS RESPONSIBLE FOR ENSURING THAT TOOL MAINTENANCE INSTRUCTIONS ARE GIVEN TO THE APPROPRIATE PERSONNEL. THE OPERATOR SHOULD NOT BE INVOLVED IN MAINTENANCE OR REPAIR OF THE TOOL UNLESS PROPERLY TRAINED. THE TOOL SHALL BE EXAMINED REGULARLY FOR DAMAGE AND MALFUNCTION.

Refer to the Technical Manual supplied with the machine for full service instructions.

5.1 DAILY SERVICING

- Check placing tool, hoses and connectors for oil leaks.
- Worn or damaged hoses and connectors should be replaced.
- Check that the stroke of tool meets the specification.
- Check that the supply pressure is correct and does not exceed 345 bar.

5.2 WEEKLY SERVICING

- Dismantle and clean the nose equipment, especially the jaws, as described in the Technical Manual for the Machine.
- Check for oil leaks in placing tool, hoses and quick couplers.

CAUTION – Never use solvents or other harsh chemicals for cleaning the non-metallic parts of the tool. These chemicals may weaken the materials used in these parts.

5.3 ANNUAL SERVICING / EVERY 500K OPERATIONS

- Every 500,000 cycles the tool should be completely dismantled and new components should be used where worn, damaged or as recommended. All O-rings, back-up rings and seals should be renewed and lubricated with MolyKote® 111 grease before assembling.

5.4 SERVICE KIT

For a complete service the following Service Kit is available:

SERVICE KIT: 71501-99990			
Part Number	Description	Part Number	Description
07900-00429	Assembly Spanner	07900-00393	Spanner 15mm x 14mm A/F
07900-00006	O Ring Assembly Tool	07900-00736	Spanner 34mm A/F
07900-00012	Spanner 9/16" x 5/8" A/F	07900-00735	Assembly Bullet
07900-00015	Spanner 5/8" x 11/16" A/F	07992-00020	Moly-lithium Grease
07900-00351	3mm A/F Allen Key		

5.5 HYDRAULIC OIL

The recommended oil for priming is Hypsin® VG32 available in 0.5l (part number 07992-00002) or one gallon containers (part number 07992-00006).

5.6 DISMANTLING INSTRUCTIONS

IMPORTANT – ENSURE THE MAINS POWER AND AIR SUPPLY TO THE MACHINE AND HYDRAULIC PUMP UNIT IS SWITCHED OFF BEFORE DISMANTLING THE TOOL.

Instructions on installing and removing the module from the machine frame will be included in the Technical Manual supplied with the machine. The Technical Manual will include full instructions on the dismantling, maintenance and assembly of the tool.

Before Dismantling:

- Remove the module from the machine.
- Remove the nose assembly from the module as per the instructions in the Technical Manual supplied with the machine.
- The potentially dangerous substances that could have deposited on the machine as a result of work processes must be removed before maintenance.

For a complete service of the tool, we advise that you proceed with dismantling the tool in the order shown on pages 8 to 10. After dismantling the tool we recommend that you replace all seals.

Dismantling Instructions:

- Using a 3mm Allen key remove the button head screw and the bonded seal on the bleed plug assembly (Item 19). If either of these parts are damaged the whole assembly must be replaced.
- Using a 15mm A/F spanner, unscrew the hexagon bleed screw assembly and remove the 1/8" bonded seal. If either of these parts are damaged the whole assembly must be replaced.
- Drain the remaining hydraulic oil from the tool.
- Grip the body of the tool (Item 13), in the soft jaws of a vice. Using a 34mm A/F spanner, unscrew the retaining sleeve (Item 15). Care should be taken with this operation as this part is under spring pressure (Item 12).
- Remove the O-Ring (Item 1) from the adaptor (Item 16), using spatula (07900-00006). Inspect for wear and replace as necessary.
- Remove the spring (Item 12) from the bore of the tool.
- Using the spanner for the piston (07900-00429), restrain the piston (Item 14). Remove the jaw spreader housing assembly (item 11) by unscrewing it with a 5/8" A/F spanner.
- Extract the piston (Item 14), from the rear of the tool. Care must be taken not to damage the internal bore of the body (Item 13).
- Using spatula (07900-00006), remove the seal (Item 4) from the piston (Item 14). Care must be taken not to damage the sealing surfaces of the piston (Item 14).
- Remove the bearing strip (Item 9). Inspect for wear and replace as necessary.
- Remove the wiper housing (Item 17) from the body (Item 13).
- Using spatula (07900-00006), remove the wiper (Item 3). Inspect for wear and replace as necessary.
- Using spatula (07900-00006), remove the seal (Item 5) from the body (Item 13). Care must be taken not to damage the sealing surfaces of the body (Item 13).
- Remove the bearing strip (Item 8) from the body (Item 13). Inspect for wear and replace as necessary.

Assembly Instructions:

- Clean all the parts thoroughly. Inspect and replace any parts that are worn or damaged.
- Assembly is the reverse procedure for dismantling.
- Ensure that the seals (Items 4 & 5) and the wiper (Item 3), are replaced in the correct orientation. Lubricate all seals and housings, with Molythium Grease (07992-00020).
- When fitting the piston (Item 14) into the body (Item 13), it is essential that the assembly bullet 07900-00735 is used to prevent seal damage.
- The jaw spreader housing assembly (Item 11) must be screwed onto the piston (Item 14) to a torque of 27 NM (20lbsf ft).

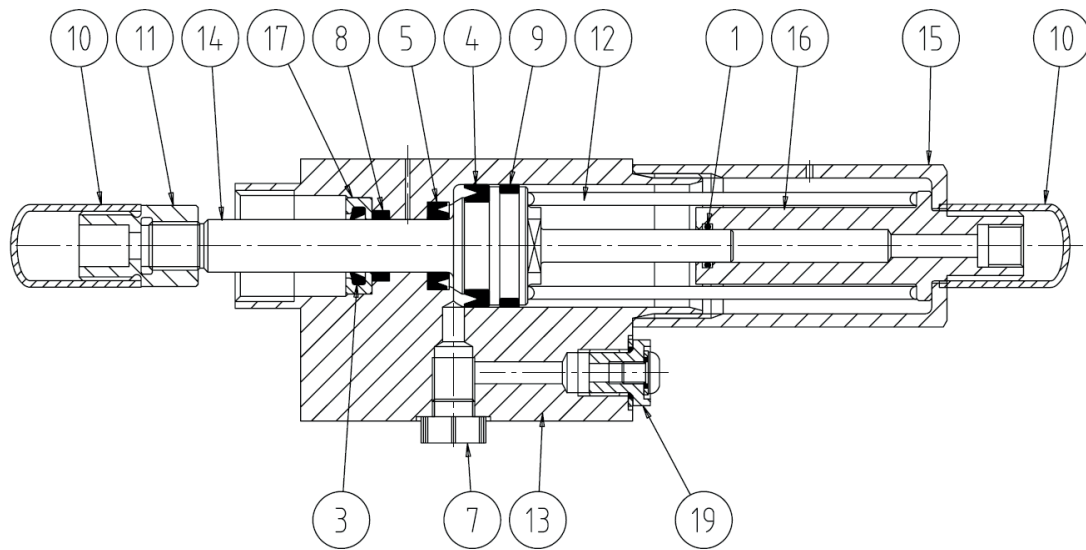
All item numbers refer to the General Assembly and Part List in section 6.0.

5.7 PROTECTING THE ENVIRONMENT

- Assure conformity with applicable disposal regulations. Dispose all waste products at an approved waste facility or site so as not to expose personnel and the environment to hazards.

6. GENERAL ASSEMBLY AND PART LIST

6.1 GENERAL ASSEMBLY



6.2 PARTS LIST

71501-02000 Parts List			
ITEM	PART NUMBER	DESCRIPTION	QTY.
1	07003-00190	O RING SEAL	1
2			
3	07003-00156	WIPER RING	1
4	07003-00244	PISTON SEAL	1
5	07003-00222	ROD SEAL	1
6	07007-02223	ADDRESS LABEL (NOT SHOWN)	1
7	07007-01045	PLASTIC PLUG	1
8	07007-01318	BEARING STRIP	1
9	07007-01320	BEARING STRIP	1
10	07007-01386	PLASTIC CAP	2
11	07490-00700	JAW SPREADER HOUSING ASSEMBLY	1
12	07651-00204	SPRING	1
13	71501-02001	BODY	1
14	71501-02002	PISTON	1
15	71501-02003	RETAINING SLEEVE	1
16	71501-02004	ADAPTOR	1
17	71501-02005	WIPER HOUSING	1
18	07273-00203	SAFETY LABEL (NOT SHOWN)	1
19	07530-00500	BLEED SCREW ASSEMBLY	1
20	73200-02022	SAFETY LABEL (NOT SHOWN)	1

7. SAFETY DATA

7.1 HYSPIN VG32 OIL SAFETY DATA

First Aid

SKIN:

Unlikely to cause harm to the skin on brief or occasional contact but prolonged or exposure may lead to dermatitis.

Wash skin thoroughly with soap and water as soon as reasonably practicable. Remove heavily contaminated clothing and wash underlying skin.

Launder contaminated clothing.

ORAL:

Unlikely to cause harm if accidentally swallowed in small doses, though larger quantities may cause nausea and diarrhoea. If contamination of the mouth occurs, wash out thoroughly with water.

Except as a deliberate act, the ingestion of large amounts of product is unlikely. If it should occur, do not induce vomiting; obtain medical advice.

Take person to nearest medical centre.

EYES:

Unlikely to cause more than transient stinging or redness if accidental eye contact occurs.

Wash eyes thoroughly with copious quantities of water, ensuring eyelids are held open. Obtain medical advice if any pain or redness develops or persists.

Disposal:

Remove all spills with inert absorbent material. Ventilate spill area. Place contaminated materials in a disposable container and dispose in a manner consistent with local regulations.

Protecting the Environment:

Separate collection. This product must not be disposed of with normal waste. Should you find one day that your product needs replacement, or if it is of no further use to you, do not dispose of it with regular waste.

Make this product available for separate collection. Separate collection of used products and packaging allows materials to be recycled and used again. Re-use of recycled materials helps prevent environmental pollution and reduces the demand for raw materials. Local regulations may provide for separate collection of electrical products, at municipal waste sites or by the retailer when you purchase a new product. You can check the location of your nearest authorized repair agent by contacting your local STANLEY Engineered Fastening office at the address indicated in this manual. Alternatively, a list of authorized repair agents and full details of our after-sales service and contacts are available on the Internet at: www.StanleyEngineeredFastening.com

Fire:

FLASH POINT: 200°C.

Extinguish with dry, chemical, foam or carbon dioxide. Do not enter confined space without self-contained breathing apparatus.

Handling:

Use barrier cream or oil resistant gloves.

Storage:

Undercover and consistent with local regulations for inflammable material.

7.2 MOLYLITHIUM GREASE EP 3753 - SAFETY DATA

Grease can be ordered as a single item, the part number is shown in the Service Kit page 9.

FIRST AID

SKIN:

As the grease is completely water resistant it is best removed with an approved emulsifying skin cleaner.

INGESTION:

Ensure the individual drinks 30ml Milk of Magnesia, preferably in a cup of milk.

EYES:

Irritant but not harmful. Irrigate with water and seek medical attention.

FIRE

FLASH POINT: Above 220°C.

Not classified as flammable.

Suitable extinguishing media: CO₂, Halon or water spray if applied by an experienced operator.

ENVIRONMENT

Scrape up for incineration or disposal on approved site.

HANDLING

Use barrier cream or oil resistant gloves

STORAGE

Away from heat and oxidising agent.

7.3 MOLYKOTE® 111 GREASE - SAFETY DATA

Grease can be ordered as a single item, the part number is shown in the Service Kit page 9.

FIRST AID

SKIN:

No first aid should be needed.

INGESTION:

No first aid should be needed.

EYES:

No first aid should be needed.

INHALATION:

No first aid should be needed.

FIRE

FLASH POINT: Above 101.1°C. (closed cup)

Explosive Properties: No

Suitable Extinguishing Media: Carbon Dioxide Foam, Dry Powder or fine water spray. Water can be used to cool fire exposed containers.

ENVIRONMENT

No adverse effects are predicted.

HANDLING

General ventilation is recommended. Avoid eye contact.

STORAGE

Do not store with oxidizing agents. Keep container closed and store away from water or moisture.

8. EC DECLARATION OF INCORPORATION OF PARTLY COMPLETED MACHINERY

We, **Stanley Engineered Fastening, Stanley House, Works Road, Letchworth Garden City, Hertfordshire, SG6 1JY UNITED KINGDOM**, declare under our sole responsibility that the product:

Description: 71501 Hydro-Pneumatic Module for Blind Rivets

Model: 71501

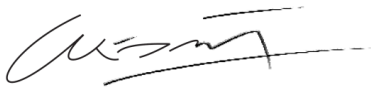
to which this declaration relates is in conformity with the following harmonized standards:

ISO 12100:2010	EN ISO 11148-1:2011
EN ISO 4413:2010	ES100118-rev 17:2017

Technical documentation is compiled in accordance with Annex VII section B, in accordance with the following Directive: **2006/42/EC The Machinery Directive** (Statutory Instruments 2008 No 1597 - The Supply of Machinery (Safety) Regulations refers).

All relevant basic safety and health protection requirements of Directive 2006/42/EC are complied with up to the interface cell described in the operating instructions, Section 3 and 4.

The undersigned makes this declaration on behalf of STANLEY Engineered Fastening



A. K. Seewraj
Director of Engineering, UK

Avdel UK Limited, Stanley House, Works Road, Letchworth Garden City, Hertfordshire,
SG6 1JY UNITED KINGDOM

Place of issue: Letchworth Garden City, UK

Date of issue: 01-01-2021

The undersigned is responsible for compilation of the technical file for products sold in the European Union and makes this declaration on behalf of Stanley Engineered Fastening.

Matthias Appel
Team Leader Technical Documentation

Stanley Engineered Fastening, Tucker GmbH, Max-Eyth-Str.1,
35394 Gießen, Germany

**This machinery is in conformity with
Machinery Directive 2006/42/EC**

9. UK DECLARATION OF INCORPORATION OF PARTLY COMPLETED MACHINERY

We, **Stanley Engineered Fastening, Stanley House, Works Road, Letchworth Garden City, Hertfordshire, SG6 1JY UNITED KINGDOM**, declare under our sole responsibility that the product:

Description: 71501 Hydro-Pneumatic Module for Blind Rivets

Model: 71501

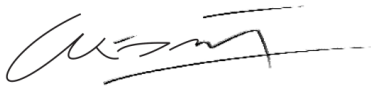
to which this declaration relates is in conformity with the following designated standards:

ISO 12100:2010	EN ISO 11148-1:2011
EN ISO 4413:2010	ES100118-rev 17:2017

Technical documentation is compiled in accordance with the Supply of Machinery (Safety) Regulations 2008, S.I. 2008/1597 (as amended).

All relevant basic safety and health protection requirements of the Supply of Machinery (Safety) Regulations 2008, S.I. 2008/1597 (as amended) are complied with up to the interface cell described in the operating instructions, Section 3 and 4.

The undersigned makes this declaration on behalf of STANLEY Engineered Fastening



A. K. Seewraj
Director of Engineering, UK

Avdel UK Limited, Stanley House, Works Road, Letchworth Garden City, Hertfordshire,
SG6 1JY UNITED KINGDOM

Place of issue: Letchworth Garden City, UK

Date of issue: 01-01-2021

**This machinery is in conformity with
Supply of Machinery (Safety) Regulations 2008,
S.I. 2008/1597 (as amended)**

10. PROTECT YOUR INVESTMENT!

Stanley® Engineered Fastening BLIND RIVET TOOL WARRANTY

STANLEY® Engineered Fastening warrants that all power tools have been carefully manufactured and that they will be free from defect in material and workmanship under normal use and service for a period of one (1) year.

This warranty applies to the first time purchaser of the tool for original use only.

Exclusions:

Normal wear and tear.

Periodic maintenance, repair and replacement parts due to normal wear and tear are excluded from coverage.

Abuse & Misuse.

Defect or damage that results from improper operation, storage, misuse or abuse, accident or neglect, such as physical damage are excluded from coverage.

Unauthorized Service or Modification.

Defects or damages resulting from service, testing adjustment, installation, maintenance, alteration or modification in any way by anyone other than STANLEY® Engineered Fastening, or its authorized service centres, are excluded from coverage.

All other warranties, whether expressed or implied, including any warranties of merchantability or fitness for purpose are hereby excluded.

Should this tool fail to meet the warranty, promptly return the tool to our factory authorized service centre location nearest you. For a list of STANLEY® Engineered Fastening Authorized Service Centres in the US or Canada, contact us at our toll free number (877)364 2781.

Outside the US and Canada, visit our website www.StanleyEngineeredFastening.com to find your nearest STANLEY Engineered Fastening location.

STANLEY Engineered Fastening will then replace, free of charge, any part or parts found by us to be defective due to faulty material or workmanship, and return the tool prepaid. This represents our sole obligation under this warranty.

In no event shall STANLEY Engineered Fastening be liable for any consequential or special damages arising out of the purchase or use of this tool.

Register Your Blind Rivet Tool online.

To register your warranty online, visit us at

<https://www.stanleyengineeredfastening.com/support/warranty-registration-form>

Thank you for choosing a STANLEY® Engineered Fastening's Stanley Assembly Technologies Brand tool.

©2021 STANLEY Black & Decker
 Todos los derechos reservados.

La información proporcionada no puede ser reproducida y/o hecha pública de ninguna manera y por ningún medio (electrónico o mecánico) sin el permiso explícito y por escrito previo de STANLEY Engineered Fastening. La información proporcionada se basa en los datos conocidos en el momento de la introducción de este producto. STANLEY Engineered Fastening sigue una política de mejora continua del producto y, por lo tanto, los productos pueden estar sujetos a cambios. La información proporcionada es aplicable al producto tal como lo entrega STANLEY Engineered Fastening. Por lo tanto, STANLEY Engineered Fastening no se responsabiliza por ningún daño que resulte de desviaciones de las especificaciones originales del producto.

La información disponible se redactó con el mayor cuidado. Sin embargo, STANLEY Engineered Fastening no aceptará ninguna responsabilidad con respecto a cualquier falta en la información ni por las consecuencias de la misma. STANLEY Engineered Fastening no aceptará ninguna responsabilidad por daños resultantes de actividades realizadas por terceros. Los nombres de trabajo, nombres comerciales, marcas registradas, etc. utilizados por STANLEY Engineered Fastening no deben considerarse como gratuitos, de conformidad con la legislación con respecto a la protección de marcas comerciales.

CONTENIDO

1. DEFINICIONES DE SEGURIDAD	18
1.1 REGLAS GENERALES DE SEGURIDAD	18
1.2 PELIGROS DE PROYECTILES	18
1.3 PELIGROS DE OPERACIÓN	19
1.4 RIESGOS DE MOVIMIENTOS REPETITIVOS	19
1.5 RIESGOS DE ACCESORIOS	19
1.6 RIESGOS DEL LUGAR DE TRABAJO	19
1.7 RIESGOS DE RUIDO	19
1.8 INSTRUCCIONES ADICIONALES DE SEGURIDAD PARA HERRAMIENTAS ELECTROHIDRÁULICAS	20
2. ESPECIFICACIONES	21
2.1 INTENCIÓN DE USO	21
2.2 ESPECIFICACIÓN DE HERRAMIENTA	21
2.3 DIMENSIONES DE HERRAMIENTA	21
3. PUESTA EN SERVICIO	22
4. INSTRUCCIONES DE OPERACIÓN	22
5. SERVICIO DE HERRAMIENTA	22
5.1 SERVICIO DIARIO	22
5.2 SERVICIO SEMANAL	22
5.3 SERVICIO ANUAL / CADA 500K OPERACIONES	22
5.4 JUEGO DE SERVICIO	23
5.5 ACEITE HIDRÁULICO	23
5.6 INSTRUCCIONES DE DESMANTELAMIENTO	23
5.7 PROTECCIÓN DEL AMBIENTE	24
6. ENSAMBLE GENERAL Y LISTA DE PARTES	25
6.1 ENSAMBLE GENERAL	25
6.2 LISTA DE PARTES	25
7. DATOS DE SEGURIDAD	26
7.1 DATOS DE SEGURIDAD DE ACEITE HYSPIN VG32	26
7.2 GRASA DE MOLIBDENO EP 3753 - DATOS DE SEGURIDAD	26
7.3 GRASA MOLYKOTE® 111 - DATOS DE SEGURIDAD	27
8. DECLARACIÓN DE INCORPORACIÓN DE LA UNIÓN EUROPEA DE MAQUINARIA PARCIALMENTE TERMINADA	28
9. DECLARACIÓN DE INCORPORACIÓN DEL REINO UNIDO DE MAQUINARIA PARCIALMENTE TERMINADA	29
10. ¡PROTEJA SU INVERSIÓN!	30



Cualquier persona que instale u opere esta herramienta debe leer este manual de instrucciones, prestando especial atención a las siguientes reglas de seguridad.



Siempre use protección ocular resistente a impactos durante el funcionamiento de la herramienta. El grado de protección requerido debe evaluarse para cada uso.



El uso de la herramienta puede exponer las manos del operador a riesgos, incluyendo aplastamiento, impacto, cortes, abrasiones y calor. Use guantes adecuados para protegerse las manos.



Use protección auditiva de acuerdo con las instrucciones del empleador y conforme lo exijan las normas de seguridad y salud ocupacional.

1. DEFINICIONES DE SEGURIDAD

Las siguientes definiciones describen el nivel de severidad para cada palabra de señal. Por favor lea el manual y ponga atención a estos símbolos.



PELIGRO: Indica una situación de peligro inminente que, si no se evita, causará la muerte o lesiones graves.



ADVERTENCIA: Indica una situación potencialmente peligrosa que, de no evitarse, podría causar la muerte o lesiones graves.



PRECAUCIÓN: Indica una situación potencialmente peligrosa que, si no se evita, puede resultar en lesiones menores o moderadas.



PRECAUCIÓN: Usado sin el símbolo de alerta de seguridad indica una situación potencialmente peligrosa que, si no se evita, puede resultar en daño a la propiedad.

La operación o el mantenimiento incorrectos de este producto podrían provocar lesiones graves y daños materiales. Lea y comprenda todas las advertencias e instrucciones de funcionamiento antes de usar este equipo. Al usar herramientas eléctricas, siempre se deben seguir las precauciones básicas de seguridad para reducir el riesgo de lesiones personales.

GUARDE TODAS LAS ADVERTENCIAS E INSTRUCCIONES PARA REFERENCIA FUTURA

1.1 REGLAS GENERALES DE SEGURIDAD

- Para riesgos múltiples, lea y comprenda las instrucciones de seguridad antes de instalar, operar, reparar, mantener, cambiar accesorios o trabajar cerca de la herramienta. De lo contrario, puede provocar lesiones corporales graves.
- Sólo operadores calificados y capacitados deben instalar, ajustar o usar la herramienta.
- NO la use fuera de la intención de diseño de colocar remaches ciegos de STANLEY Engineered Fastening.
- Use sólo partes, sujetadores y accesorios recomendados por el fabricante.
- NO modifique la herramienta. Las modificaciones pueden reducir la efectividad de las medidas de seguridad y aumentar los riesgos para el operador. Cualquier modificación a la herramienta realizada por el cliente será bajo su completa responsabilidad y anulará cualquier garantía aplicable.
- No deseche las instrucciones de seguridad; proporciónelas al operador.
- No use la herramienta si se ha dañado.
- Antes de usar, verifique la desalineación o atascamiento de las partes móviles, la ruptura de partes y cualquier otra condición que afecte la operación de la herramienta. Si está dañada, pida que reparen la herramienta antes de usarla. Retire cualquier llave de ajuste o llave inglesa antes de usar.
- Las herramientas se deberán revisar periódicamente para verificar que las clasificaciones y marcas requeridas por esta parte de ISO 11148 estén marcadas de manera legible en la herramienta. El empleador/usuario deberá ponerse en contacto con el fabricante para obtener etiquetas de marcado de reemplazo cuando sea necesario.
- La herramienta debe mantenerse en condiciones de trabajo seguras en todo momento y se debe revisar en intervalos regulares respecto a daños y funcionamiento por parte de personal capacitado. Cualquier procedimiento de desmantelamiento será realizado sólo por personal capacitado. No desmonte esta herramienta sin referencia previa a las instrucciones de mantenimiento.

1.2 PELIGROS DE PROYECTILES

- Desconecte la herramienta del suministro hidráulico antes de realizar cualquier mantenimiento, intentar ajustar, adaptar o retirar un ensamble de punta o accesorios.
- Tenga en cuenta que la falla de la pieza de trabajo o accesorios, o incluso de la herramienta insertada en sí, puede generar proyectiles de alta velocidad.
- Siempre use protección ocular resistente a impactos durante el funcionamiento de la herramienta. El grado de protección requerido debe evaluarse para cada uso.
- Los riesgos para otras personas también deben evaluarse en este momento.
- Asegúrese que la pieza de trabajo esté fija de forma segura.

- Verifique que los medios de protección contra la expulsión del sujetador y/o el mandril estén en su lugar y sean operativos.
- Advierta contra la posible expulsión forzada de mandriles desde el frente de la herramienta.
- NO opere una herramienta que esté dirigida hacia ninguna persona(s).

1.3 PELIGROS DE OPERACIÓN

- Cuando se opera la herramienta, no se debe sostener en la mano o estar en contacto con ninguna parte del cuerpo. Existe la posibilidad de una lesión de corte cuando el pistón se retrae.
- El uso de la herramienta puede exponer las manos del operador a riesgos, incluyendo aplastamiento, impacto, cortes, abrasiones y calor. Use guantes adecuados para protegerse las manos.
- Suelte el dispositivo de arranque y paro en caso de una interrupción del suministro hidráulico.
- Use sólo lubricantes recomendados por el fabricante.
- Debe evitarse el contacto con el fluido hidráulico. Para minimizar la posibilidad de irritación cutánea, se debe tener cuidado de lavar minuciosamente si se produce el contacto.
- Las hojas de datos de seguridad de materiales para todos los aceites y lubricantes hidráulicos están disponibles por solicitud en su proveedor de herramientas.
- Si la herramienta se fija a un dispositivo de suspensión, asegúrese que la fijación sea segura.
- Tenga cuidado con el riesgo de aplastamiento o pellizcarse si el equipo de punta no está instalado.
- NO opere la herramienta con la carcasa de la punta retirada.
- Cuando transporte la herramienta de un lugar a otro, mantenga las manos alejadas del gatillo para evitar la activación accidental.
- NO abuse de la herramienta dejándola caer o utilizándola como martillo.
- Se debe tener cuidado para garantizar que los mandriles gastados no creen un peligro.

1.4 RIESGOS DE MOVIMIENTOS REPETITIVOS

- Al usar la herramienta, el operador puede experimentar molestias en las manos, brazos, hombros, cuello u otras partes del cuerpo.
- Mientras usa la herramienta, el operador debe adoptar una postura cómoda mientras mantiene una posición segura y evita posturas incómodas o desequilibradas. El operador debe cambiar la postura durante las tareas extendidas; esto puede ayudar a evitar molestias y fatiga.
- Si el operador experimenta síntomas como molestias persistentes o recurrentes, dolor, latidos, dolor, hormigueo, entumecimiento, sensación de ardor o rigidez, estas señales de advertencia no deben ignorarse. El operador debe informar al empleador y consultar a un profesional de la salud calificado.

1.5 RIESGOS DE ACCESORIOS

- Desconecte la herramienta del suministro hidráulico antes de instalar o retirar el ensamble de punta o accesorio.
- Utilice sólo tamaños y tipos de accesorios y consumibles recomendados por el fabricante de la herramienta; no use otros tipos o tamaños de accesorios o consumibles.

1.6 RIESGOS DEL LUGAR DE TRABAJO

- Los resbalones, tropiezos y caídas son las principales causas de lesiones en el lugar de trabajo. Tenga en cuenta las superficies resbaladizas causadas por el uso de la herramienta y también los riesgos de tropiezos causados por la línea de aire o la manguera hidráulica.
- Continúe con cuidado en ambientes con los que no esté familiarizado. Puede haber riesgos ocultos, como electricidad u otras líneas de servicios públicos.
- La herramienta no está diseñada para usarse en atmósferas potencialmente explosivas y no está aislada contra el contacto con la energía eléctrica.
- Asegúrese que no haya cables eléctricos, tuberías de gas, etc., que puedan causar un peligro si se dañan con el uso de la herramienta.
- Vístase apropiadamente. No use ropa suelta o joyería. Mantenga su cabello, ropa y guantes lejos de las partes móviles. La ropa suelta, joyería o el cabello largo pueden quedar atrapados en las partes móviles.
- Se debe tener cuidado para garantizar que los mandriles gastados no creen un peligro.

1.7 RIESGOS DE RUIDO

- La exposición a altos niveles de ruido puede causar pérdida auditiva permanente e incapacitante y otros problemas, como tinnitus (ruido de timbre, zumbidos, silbidos o resonación en los oídos). Por lo tanto, la evaluación de riesgos y la implementación de controles apropiados para estos peligros son esenciales.
- Los controles apropiados para reducir el riesgo pueden incluir acciones tales como materiales de amortiguamiento para evitar que las piezas de trabajo "resuenen".
- Use protección auditiva de acuerdo con las instrucciones del empleador y conforme lo exijan las normas de seguridad y salud ocupacional.
- Opere y mantenga la herramienta como se recomienda en el manual de instrucciones, para evitar un aumento innecesario en el nivel de ruido.

1.8 INSTRUCCIONES ADICIONALES DE SEGURIDAD PARA HERRAMIENTAS ELECTROHIDRÁULICAS

- El suministro hidráulico operativo no debe exceder los 345 bar (5000 PSI).
- El aceite bajo presión puede causar lesiones graves.
- No instale mangueras hidráulicas flexibles con una presión de trabajo de menos de 700 bar (10,000 PSI) en un caudal de 2.73 l/min (200 pulg³/min).
- Desconecte las mangueras hidráulicas de la unidad de la bomba cuando la herramienta no esté en uso, antes de cambiar los accesorios o al realizar reparaciones.
- Las mangueras que se agitan puede causar lesiones graves. Siempre verifique si hay mangueras y accesorios dañados o sueltos.
- Antes del uso, revise las mangueras hidráulicas respecto a daño, todas las conexiones hidráulicas deben estar limpias, completamente conectadas y apretadas antes de la operación. No deje caer objetos pesados sobre las mangueras. Un impacto fuerte puede causar daños internos y provocar fallas prematuras en la manguera.
- Siempre que se utilicen acoplamientos de torsión universales (acoplamientos de garras), se instalarán pasadores de seguridad y se utilizarán cables de seguridad de protección contra latigazos para proteger contra posibles fallas de conexión de manguera a herramienta o de manguera a manguera.
- NO levante el módulo de colocación por la manguera. Siempre utilice el cuerpo del módulo de colocación.
- Mantenga la suciedad y materia extraña fuera del sistema hidráulico de la herramienta, ya que esto hará que la herramienta no funcione correctamente.
- Sólo use aceite y equipo de llenado limpios.
- Sólo se pueden usar fluidos hidráulicos recomendados.
- La temperatura máxima del fluido hidráulico en la entrada es 110°C (230°F).

La política de STANLEY Engineered Fastening es la mejora y desarrollo continuo del producto y nos reservamos el derecho de cambiar las especificaciones de cualquier producto sin previo aviso.

2. ESPECIFICACIONES

2.1 INTENCIÓN DE USO

El módulo 71501 es principalmente un ensamble de pistón y cilindro. Cuando se acopla hidráulicamente a una fuente de energía hidráulica compatible y se coloca el ensamble de punta correspondiente, se utiliza para instalar remaches ciegos de hasta 6.4mm (1/4") de diámetro, en entornos industriales.

El módulo de colocación sólo se puede usar de acuerdo con las instrucciones de operación para colocar remaches estructurales Stanley Engineered Fastening.

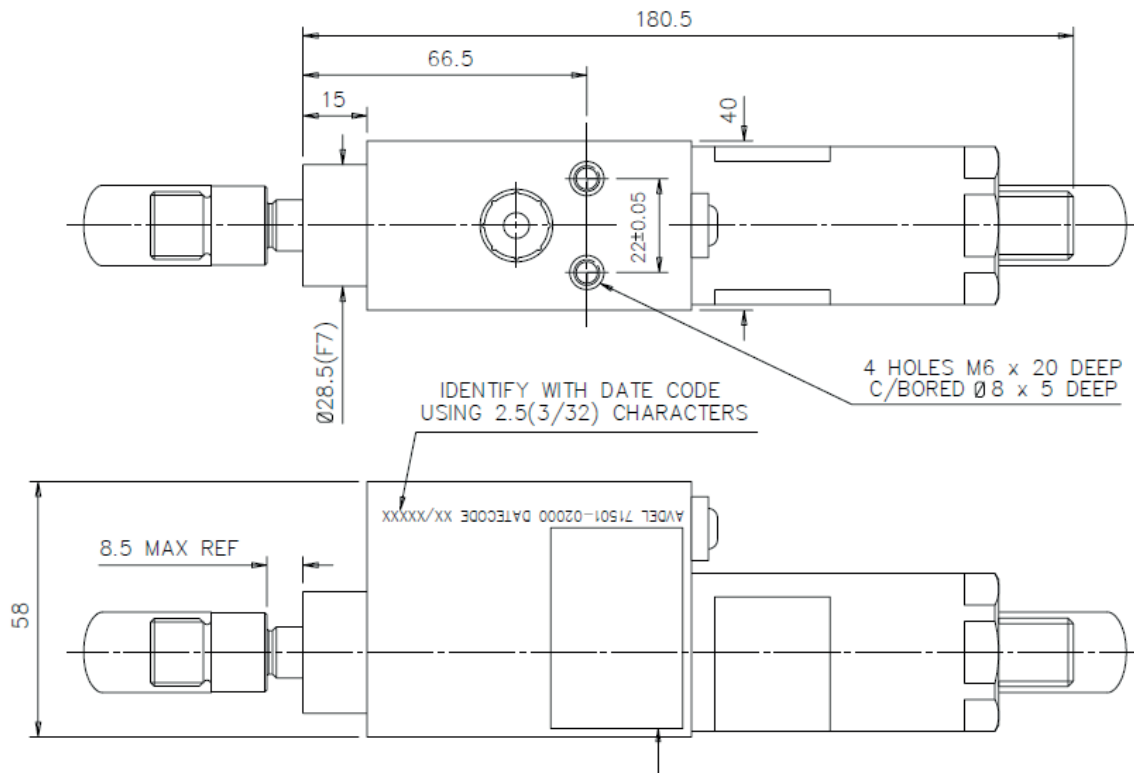
NO lo use en condiciones húmedas o en presencia de líquidos o gases inflamables.

Las instrucciones de seguridad deben seguirse en todo momento.

2.2 ESPECIFICACIÓN DE HERRAMIENTA

ESPECIFICACIÓN		MÉTRICA	IMPERIAL
Fuerza:	Tracción en presión de tracción indicada	12.9 kN	2900 lbf
Presión:	Máxima	345 bar	5000 PSI
Carrera:	Carrera de pistón	31.75mm	1.25 pulg
Diámetro de orificio de pistón:	Mínimo	4.87mm	0.19 pulg
Peso:	Sin equipo de punta	0.77 kg	1.70 lbs

2.3 DIMENSIONES DE HERRAMIENTA



Todas las dimensiones se muestran en milímetros.

3. PUESTA EN SERVICIO

IMPORTANTE - LEA LAS REGLAS DE SEGURIDAD EN LAS PÁGINAS 18 - 20 Y EL MANUAL TÉCNICO INCLUIDO CON LA MÁQUINA COMPLETA CUIDADOSAMENTE ANTES DE PONERLA EN SERVICIO.

EL MÓDULO ESTÁ DISEÑADO PARA FUNCIONAR COMO PARTE DE UNA MÁQUINA COMPLETA AUTOMATIZADA O SEMIAUTOMATIZADA. CUANDO SE ACTIVA LA HERRAMIENTA, NO DEBE SOSTENERSE EN LA MANO NI ESTAR EN CONTACTO CON NINGUNA PARTE DEL CUERPO. EXISTE LA POSIBILIDAD DE LESIÓN POR CORTE CUANDO EL PISTÓN SE RETRAGA.

Las instrucciones sobre la instalación y desinstalación del módulo del bastidor de la máquina se incluirán en el Manual técnico suministrado con la máquina. El Manual Técnico incluirá instrucciones completas sobre la puesta en servicio del módulo, junto con instrucciones sobre el desmontaje, mantenimiento y ensamble del Equipo de punta.

4. INSTRUCCIONES DE OPERACIÓN

IMPORTANTE - LEA LAS REGLAS DE SEGURIDAD EN LAS PÁGINAS 18 - 20 Y EL MANUAL TÉCNICO INCLUIDO CON LA MÁQUINA COMPLETA CUIDADOSAMENTE ANTES DE OPERAR LA HERRAMIENTA.

Consulte el Manual técnico incluido con la máquina respecto a las instrucciones de operación.

5. SERVICIO DE HERRAMIENTA

IMPORTANTE - LEA LAS REGLAS DE SEGURIDAD EN LAS PÁGINAS 18 - 20 Y EL MANUAL TÉCNICO INCLUIDO CON LA MÁQUINA COMPLETA.

EL EMPLEADOR ES RESPONSABLE DE GARANTIZAR QUE LAS INSTRUCCIONES DE MANTENIMIENTO DE LA HERRAMIENTA SE PROPORCIONEN AL PERSONAL APROPIADO. EL OPERADOR NO DEBE PARTICIPAR EN EL MANTENIMIENTO O REPARACIÓN DE LA HERRAMIENTA A MENOS QUE ESTÉ DEBIDAMENTE CAPACITADO. LA HERRAMIENTA SE DEBERÁ EXAMINAR REGULARMENTE RESPECTO A DAÑO Y FALLAS.

Consulte el Manual técnico incluido con la máquina respecto a las instrucciones de servicio completas.

5.1 SERVICIO DIARIO

- Revise la herramienta de colocación, mangueras y conectores para detectar fugas de aceite.
- Las mangueras y conectores desgastados o dañados deben reemplazarse.
- Verifique que la carrera de la herramienta cumpla con las especificaciones.
- Revise que la presión de suministro sea correcta y no exceda 345 bar.

5.2 SERVICIO SEMANAL

- Desmonte y limpie el equipo de punta, en especial de las mordazas, como se describe en el Manual técnico para la Máquina.
- Verifique si hay fugas de aceite en la herramienta de colocación, mangueras y acopladores rápidos.

PRECAUCIÓN – Nunca use solventes u otros productos químicos fuertes para limpiar las partes no metálicas de la herramienta. Estos productos químicos pueden debilitar los materiales utilizados en estas partes.

5.3 SERVICIO ANUAL / CADA 500K OPERACIONES

- Cada 500,000 ciclos la herramienta debe desensamblarse por completo y los componentes nuevos deben usarse cuando se encuentren componentes desgastados, dañados o conforme lo recomendado. Todas los anillos O, anillos de respaldo y sellos deben renovarse y lubricarse con grasa MolyKote® 111 antes del ensamble.

5.4 JUEGO DE SERVICIO

Para un servicio completo, está disponible el siguiente juego de servicio:

JUEGO DE SERVICIO: 71501-99990			
Número de parte	Descripción	Número de parte	Descripción
07900-00429	Llave hidráulica de ensamble	07900-00393	Llave hidráulica 15mm x 14mm A/F
07900-00006	Herramienta de ensamble de anillo O	07900-00736	Llave hidráulica 34mm A/F
07900-00012	Llave hidráulica 9/16" x 5/8" A/F	07900-00735	Bala de ensamble
07900-00015	Llave hidráulica 5/8" x 11/16" A/F	07992-00020	Grasa de litio de molibdeno
07900-00351	Llave Allen 3mm A/F		

5.5 ACEITE HIDRÁULICO

El aceite recomendado para cebado es Hyspin® VG32 disponible en contenedores de 0.5l (número de parte 07992-00002) o un galón (número de parte 07992-00006).

5.6 INSTRUCCIONES DE DESMANTELAMIENTO

IMPORTANTE – ASEGÚRESE QUE EL SUMINISTRO DE ENERGÍA Y AIRE A LA MÁQUINA Y BOMBA HIDRÁULICA ESTÉ APAGADO ANTES DE DESMONTAR LA HERRAMIENTA.

Las instrucciones sobre la instalación y desinstalación del módulo del bastidor de la máquina se incluirán en el Manual técnico suministrado con la máquina. El Manual Técnico incluirá instrucciones completas sobre el desmontaje, mantenimiento y ensamble de la herramienta.

Antes de desensamblar:

- Retire el módulo de la máquina.
- Retire el ensamble de punta del módulo conforme las instrucciones del Manual técnico suministrado con la máquina.
- Las sustancias potencialmente peligrosas que podrían haberse depositado en la máquina como resultado de los procesos de trabajo deben eliminarse antes del mantenimiento.

Para un servicio completo de la herramienta, le recomendamos que proceda a desensamblar la herramienta en el orden que se muestra en las páginas 22 a 24. Después de desensamblar la herramienta, le recomendamos que reemplace todos los sellos.

Instrucciones de desmontaje:

- Con una llave Allen de 3 mm, retire el tornillo de cabeza redonda y el sello adherido del ensamble del tapón de purga (elemento 19). Si alguna de estas partes está dañada, se debe reemplazar todo el ensamble.
- Con una llave A/F de 15mm, desatornille el ensamble del tornillo de purga hexagonal y retire el sello adherido de 1/8". Si alguna de estas partes está dañada, se debe reemplazar todo el ensamble.
- Drene el aceite hidráulico restante de la herramienta.
- Sujete el cuerpo de la herramienta (elemento 13), en las mordazas suaves de un tornillo de banco. Con una llave A/F de 34mm, desatornille la camisa de retención (elemento 15). Se debe tener cuidado con esta operación ya que esta pieza está bajo presión de resorte (elemento 12).
- Retire el anillo O (elemento 1) del adaptador (elemento 16), utilizando una espátula (07900-00006). Revise respecto a desgaste y reemplace conforme sea necesario.
- Retire el resorte (elemento 12) del orificio de la herramienta.
- Con la llave para el pistón (07900-00429), sujete el pistón (elemento 14). Retire el ensamble del alojamiento del esparcidor de mordaza (elemento 11) desatornillándolo con una llave A/F de 5/8".
- Extraiga el pistón (elemento 14), de la parte trasera de la herramienta. Se debe tener cuidado de no dañar el orificio interno del cuerpo (elemento 13).
- Con una espátula (07900-00006), retire el sello (elemento 4) del pistón (elemento 14). Se debe tener cuidado de no dañar las superficies de sellado del pistón (elemento 14).
- Retire la tira de cojinetes (elemento 9). Revise respecto a desgaste y reemplace conforme sea necesario.
- Retire el alojamiento del limpiador (elemento 17) del cuerpo (elemento 13).
- Utilizando la espátula (07900-00006), retire el limpiador (elemento 3). Revise respecto a desgaste y reemplace conforme sea necesario.
- Con una espátula (07900-00006), retire el sello (elemento 5) del cuerpo (elemento 13). Se debe tener cuidado de no dañar las superficies de sellado del cuerpo (elemento 13).

- Retire la tira de cojinetes (elemento 8) del cuerpo (elemento 13). Revise respecto a desgaste y reemplace conforme sea necesario.

Instrucciones de ensamble:

- Limpie todas las partes minuciosamente. Revise y reemplace cualquier parte que esté desgastada o dañada.
- El ensamble es el procedimiento inverso al desmontaje.
- Asegúrese que los sellos (elementos 4 y 5) y el limpiador (elemento 3) se reemplacen en la orientación correcta. Lubrique todos los sellos y alojamientos con grasa de molilitio (07992-00020).
- Al colocar el pistón (elemento 14) en el cuerpo (elemento 13), es esencial que se utilice la bala de ensamble 07900-00735 para evitar daños en el sello.
- El ensamble del alojamiento del separador de mordazas (elemento 11) debe atornillarse en el pistón (elemento 14) con un par de torsión de 27 NM (20 lbf pie).

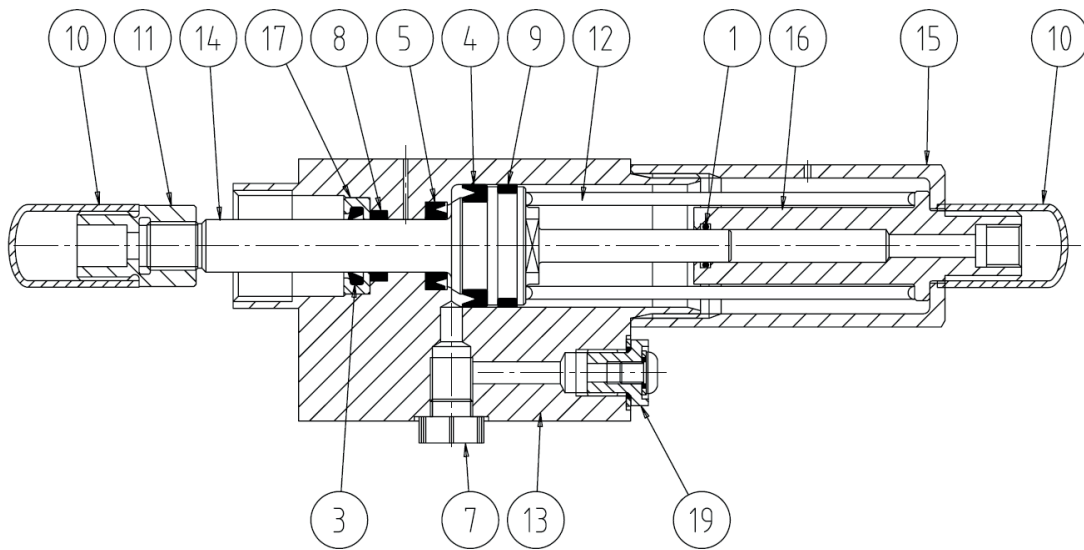
Todos los números de elemento se refieren al ensamble general y la lista de partes en la sección 6.0.

5.7 PROTECCIÓN DEL AMBIENTE

- Asegure la conformidad con las regulaciones de desecho aplicables. Deseche todos los productos de desecho en una instalación o sitio de desechos aprobado para no exponer al personal y al medio ambiente a riesgos.

6. ENSAMBLE GENERAL Y LISTA DE PARTES

6.1 ENSAMBLE GENERAL



6.2 LISTA DE PARTES

71501-02000 Lista de partes			
ELEMENTO	NÚMERO DE PARTE	DESCRIPCIÓN	CANT.
1	07003-00190	SELLO DE ANILLO O	1
2			
3	07003-00156	ANILLO LIMPIADOR	1
4	07003-00244	SELLO DE PISTÓN	1
5	07003-00222	SELLO DE VARILLA	1
6	07007-02223	ETIQUETA DE DIRECCIÓN (NO MOSTRADA)	1
7	07007-01045	TAPÓN DE PLÁSTICO	1
8	07007-01318	CINTA DE COJINETES	1
9	07007-01320	CINTA DE COJINETES	1
10	07007-01386	TAPA DE PLÁSTICO	2
11	07490-00700	ENSAMBLE DE ALOJAMIENTO DE SEPARADOR DE MORDAZAS	1
12	07651-00204	RESORTE	1
13	71501-02001	CUERPO	1
14	71501-02002	PISTÓN	1
15	71501-02003	CAMISA DE RETENCIÓN	1
16	71501-02004	ADAPTADOR	1
17	71501-02005	ALOJAMIENTO DE LIMPIADOR	1
18	07273-00203	ETIQUETA DE SEGURIDAD (NO MOSTRADA)	1
19	07530-00500	ENSAMBLE DE TORNILLO DE PURGA	1
20	73200-02022	ETIQUETA DE SEGURIDAD (NO MOSTRADA)	1

7. DATOS DE SEGURIDAD

7.1 DATOS DE SEGURIDAD DE ACEITE HYSPIV VG32

Primeros auxilios

PIEL:

Es poco probable que cause daño a la piel por contacto breve u ocasional, pero la exposición prolongada puede provocar dermatitis.

Lave la piel minuciosamente con agua y jabón tan pronto como sea razonablemente posible. Quítese la ropa muy contaminada y lave la piel subyacente.

Lave la ropa contaminada.

ORAL:

Es poco probable que cause daño si se ingiere accidentalmente en pequeñas dosis, aunque cantidades mayores pueden causar náuseas y diarrea.

Si se produce contaminación de la boca, lávese bien con agua.

A menos que sea un acto deliberado, es poco probable la ingestión de grandes cantidades de producto. Si ocurriera, no induzca el vómito; obtenga consejo médico.

Lleve a la persona al centro médico más cercano.

OJOS:

Es poco probable que cause más que un escozor o enrojecimiento transitorio si ocurre un contacto con los ojos accidental. Lávese bien los ojos con abundante agua, asegurándose que los párpados se mantengan abiertos. Obtenga asesoramiento médico si se desarrolla o persiste algún dolor o enrojecimiento.

Disposición:

Elimine todos los derrames con material absorbente inerte. Ventile el área del derrame. Coloque los materiales contaminados en un recipiente desechable y deséchelos de acuerdo con las regulaciones locales.

Protección del medio ambiente:

Recolección separada. Este producto no debe desecharse con la basura normal. Si un día descubre que su producto necesita ser reemplazado, o si ya no le sirve, no lo deseche con la basura regular.

Haga que este producto esté disponible para la recolección por separado. La recolección separada de productos usados y el empaque permite que los materiales sean reciclados y usados nuevamente. La reutilización de materiales reciclados ayuda a prevenir la contaminación ambiental y reduce la demanda de materias primas. Las regulaciones locales pueden prever la recolección separada de productos eléctricos, en los sitios de desechos municipales o por el minorista cuando compra un producto nuevo. Puede verificar la ubicación de su agente de reparaciones autorizado más cercano comunicándose con su oficina local de STANLEY Engineered Fastening en la dirección indicada en este manual. Alternativamente, una lista de agentes de reparación autorizados y detalles completos de nuestro servicio postventa y contactos están disponibles en Internet en: www.StanleyEngineeredFastening.com

Fuego:

PUNTO DE INFLAMABILIDAD: 200°C.

Extinga con dióxido de carbono, espuma, químico o seco. No entre en espacios confinados sin un aparato de respiración autónomo.

Manejo:

Use crema protectora o guantes resistentes al aceite.

Almacenamiento:

Cubierto y de acuerdo con las regulaciones locales para material inflamable.

7.2 GRASA DE MOLIBDENO EP 3753 - DATOS DE SEGURIDAD

La grasa se puede pedir como un artículo sencillo, el número de parte se muestra en la página 23 del juego de servicio.

PRIMEROS AUXILIOS

PIEL:

Como la grasa es completamente resistente al agua, es mejor eliminarla con un limpiador emulsionante aprobado para la piel.

INGESTIÓN:

Asegúrese que el individuo beba 30 ml de leche de magnesia, preferiblemente en una taza de leche.

OJOS:

Irritante pero no dañino. Aplique agua y busque atención médica.

FUEGO

PUNTO DE INFLAMABILIDAD: Mayor a 220°C.

No clasificado como inflamable.

Medios de extinción adecuados: CO₂, halón o agua pulverizada si lo aplica un operador experimentado.

MEDIO AMBIENTE

Deseche para la incineración o eliminación en un sitio aprobado.

MANEJO

Use crema de barrera o guantes resistentes al aceite

ALMACENAMIENTO

Lejos del calor y agentes oxidantes.

7.3 GRASA MOLYKOTE® 111 - DATOS DE SEGURIDAD

La grasa se puede pedir como un artículo sencillo, el número de parte se muestra en la página 23 del juego de servicio.

PRIMEROS AUXILIOS

PIEL:

No se necesitarían primeros auxilios.

INGESTIÓN:

No se necesitarían primeros auxilios.

OJOS:

No se necesitarían primeros auxilios.

INHALACIÓN:

No se necesitarían primeros auxilios.

FUEGO

PUNTO DE INFLAMABILIDAD: Mayor a 101.1°C. (taza cerrada)

Propiedades explosivas: No

Medios de extinción adecuados: Espuma de dióxido de carbono, polvo seco o rocío de agua fino. Se puede usar agua para enfriar contenedores expuestos al fuego.

MEDIO AMBIENTE

No se predicen efectos adversos.

MANEJO

Se recomienda ventilación general. Evite el contacto con los ojos.

ALMACENAMIENTO

No guarde con agentes oxidantes. Mantenga el contenedor cerrado y guarde lejos de agua o humedad.

8. DECLARACIÓN DE INCORPORACIÓN DE LA UNIÓN EUROPEA DE MAQUINARIA PARCIALMENTE TERMINADA

Nosotros, **Stanley Engineered Fastening, Stanley House, Works Road, Letchworth Garden City, Hertfordshire, SG6 1JY REINO UNIDO**, declaramos bajo nuestra exclusiva responsabilidad que el producto:

Descripción: 71501 Módulo hidroneumático para remaches ciegos

Modelo: 71501

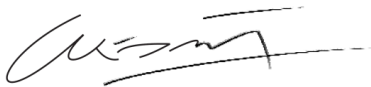
con el que se relaciona esta declaración cumple con las siguientes normas armonizadas:

ISO 12100:2010	EN ISO 11148-1:2011
EN ISO 4413:2010	ES100118-rev 17:2017

La documentación técnica se compila de acuerdo con el Anexo VII sección B, de acuerdo con la siguiente Directiva: **Directiva de Maquinaria 2006/42/EC** (Instrumentos Estatuarios 2008 No 1597 - Referido al Suministro de regulaciones de maquinaria (Seguridad)).

Se cumplen todos los requisitos básicos de protección de la salud y seguridad de la Directiva 2006/42/EC hasta la celda de interfaz descrita en las instrucciones de operación, secciones 3 y 4.

El abajo firmante hace esta declaración en nombre de STANLEY Engineered Fastening



A. K. Seewraj

Director de Ingeniería, Reino Unido

Avdel UK Limited, Stanley House, Works Road, Letchworth Garden City, Hertfordshire, SG6 1JY REINO UNIDO

Lugar de emisión: Letchworth Garden City, Reino Unido

Fecha de emisión: 01-01-2021

El abajo firmante es responsable de la recopilación del archivo técnico para los productos vendidos en la Unión Europea y realiza esta declaración en nombre de Stanley Engineered Fastening.

Matthias Appel

Documentación Técnica de Líder de Equipo

Stanley Engineered Fastening, Tucker GmbH, Max-Eyth-Str.1, 35394 Gießen, Alemania

Esta maquinaria cumple con Directiva de Maquinaria 2006/42/EC

9. DECLARACIÓN DE INCORPORACIÓN DEL REINO UNIDO DE MAQUINARIA PARCIALMENTE TERMINADA

Nosotros, **Stanley Engineered Fastening, Stanley House, Works Road, Letchworth Garden City, Hertfordshire, SG6 1JY REINO UNIDO**, declaramos bajo nuestra exclusiva responsabilidad que el producto:

Descripción: 71501 Módulo hidroneumático para remaches ciegos

Modelo: 71501

con el que se relaciona esta declaración cumple con las siguientes normas designadas:

ISO 12100:2010	EN ISO 11148-1:2011
EN ISO 4413:2010	ES100118-rev 17:2017

La documentación técnica se recopila de acuerdo con las Regulaciones de Suministro de Maquinaria (Seguridad) de 2008, S.I. 2008/1597 (conforme se modifiquen).

Se cumplen todos los requisitos básicos de protección de la salud y seguridad de las Regulaciones de Suministro de Maquinaria (Seguridad) 2008, S.I. 2008/1597 (conforme se modifiquen) hasta la celda de interfaz descrita en las instrucciones de operación, secciones 3 y 4.

El abajo firmante hace esta declaración en nombre de STANLEY Engineered Fastening



A. K. Seewraj

Director de Ingeniería, Reino Unido

Avdel UK Limited, Stanley House, Works Road, Letchworth Garden City, Hertfordshire, SG6 1JY REINO UNIDO

Lugar de emisión: Letchworth Garden City, Reino Unido

Fecha de emisión: 01-01-2021

Esta maquinaria cumple con Regulaciones de Suministro de Maquinaria (Seguridad) 2008, S.I. 2008/1597 (conforme se modifique)

10. ¡PROTEJA SU INVERSIÓN!

Stanley® Engineered Fastening GARANTÍA DE HERRAMIENTA DE REMACHE CIEGO

STANLEY® Engineered Fastening garantiza que todas las herramientas eléctricas se han fabricado cuidadosamente y que estarán libres de defectos de material y mano de obra en condiciones normales de uso y servicio por un período de un (1) año.

Esta garantía se aplica al comprador por primera vez de la herramienta sólo para uso original.

Exclusiones:

Uso y desgaste normal.

El mantenimiento periódico, la reparación y las partes de repuesto debido al desgaste normal se excluyen de la cobertura.

Abuso y mal uso.

Los defectos o daños que resultan de una operación, almacenamiento inadecuados, mal uso o abuso, accidente o negligencia, como daños físicos, están excluidos de la cobertura.

Servicio o modificación no autorizados.

Los defectos o daños resultantes del servicio, ajuste de prueba, instalación, mantenimiento, alteración o modificación de cualquier manera por parte de cualquier persona que no sea STANLEY® Engineered Fastening, o sus centros de servicio autorizados, están excluidos de la cobertura.

Se excluyen todas las demás garantías, ya sean expresas o implícitas, incluidas las garantías de comerciabilidad o idoneidad para un propósito.

Si esta herramienta no cumple con la garantía, devuélvala de inmediato a nuestro centro de servicio autorizado de fábrica más cercano. Para obtener una lista de los Centros de servicio autorizados de STANLEY® Engineered Fastening en los EUA o Canadá, contáctenos en nuestro número de larga distancia gratuito (877) 364 2781.

Fuera de los EUA y Canadá, visite nuestro sitio web **www.StanleyEngineeredFastening.com** para encontrar la ubicación de sujeción de STANLEY Engineered Fastening más cercana.

STANLEY Engineered Fastening entonces reemplazará, sin cargo, cualquier parte o partes que consideremos defectuosas debido a un material o mano de obra defectuosos, y devolverá la herramienta con envío prepago. Esto representa nuestra única obligación bajo esta garantía.

En ningún caso, STANLEY Engineered Fastening será responsable de ningún daño consecuente o especial que surja de la compra o uso de esta herramienta.

Registre su herramienta de remache ciego en línea.

Para registrar su garantía en línea, visítenos en

<https://www.stanleyengineeredfastening.com/support/warranty-registration-form>

Gracias por elegir una herramienta de la marca Stanley Assembly Technologies de STANLEY® Engineered Fastening.

©2021 STANLEY Black & Decker
Tous droits réservés.

Les renseignements fournis ne peuvent pas être reproduits et/ou rendus publics d'aucune façon et par aucun moyen (électronique ou mécanique) sans autorisation écrite et explicite préalable de STANLEY Engineered Fastening. Les renseignements fournis sont basés sur des données connues au moment de l'introduction de ce produit. STANLEY Engineered Fastening applique une politique d'amélioration en permanence des produits et par conséquent, les produits peuvent être modifiés. Les renseignements fournis sont applicables au produit tels que présentés par STANLEY Engineered Fastening. Par conséquent, STANLEY Engineered Fastening ne peut pas être tenu responsable des dommages résultant de différences par rapport aux caractéristiques initiales du produit.

Les renseignements disponibles ont été rédigés avec la plus grande attention. Cependant, STANLEY Engineered Fastening n'acceptera aucune responsabilité quant au respect de toute erreur dans ces renseignements ni les conséquences qui en découleraient. STANLEY Engineered Fastening n'acceptera aucune responsabilité quant aux dommages résultant d'activités effectuées par des tiers. Les noms de travail, les noms commerciaux, les marques déposées, etc. utilisés par STANLEY Engineered Fastening ne doivent pas être considérés comme étant libres, en vertu de la loi relative à la protection des marques de commerce.

TABLE DES MATIÈRES

1. DÉFINITIONS LIÉES À SÉCURITÉ.....	32
1.1 RÈGLES GÉNÉRALES DE SÉCURITÉ.....	32
1.2 RISQUES LIÉS AUX PROJECTILES.....	32
1.3 RISQUES LIÉS À L'UTILISATION.....	33
1.4 RISQUES LIÉS AUX MOUVEMENTS RÉPÉTITIFS	33
1.5 RISQUES LIÉS AUX ACCESSOIRES.....	33
1.6 RISQUES EN MILIEU DE TRAVAIL	33
1.7 RISQUES LIÉS AU BRUIT.....	33
1.8 CONSIGNES DE SÉCURITÉ SUPPLÉMENTAIRES POUR LES OUTILS HYDRAULIQUES	34
2. CARACTÉRISTIQUES	35
2.1 UTILISATION PRÉVUE	35
2.2 CARACTÉRISTIQUES DE L'OUTIL.....	35
2.3 DIMENSIONS DE L'OUTIL	35
3. MISE EN SERVICE.....	36
4. CONSIGNES D'UTILISATION	36
5. ENTRETIEN DE L'OUTIL	36
5.1 ENTRETIEN QUOTIDIEN.....	36
5.2 ENTRETIEN HEBDOMADAIRE	36
5.3 ENTRETIEN ANNUEL / TOUTES LES 500 000 UTILISATIONS	36
5.4 NÉCESSAIRE D'ENTRETIEN	37
5.5 HUILE HYDRAULIQUE	37
5.6 CONSIGNES DE DÉMONTAGE	37
5.7 PROTÉGER L'ENVIRONNEMENT	38
6. ASSEMBLAGE GÉNÉRAL ET LISTE DE PIÈCES	39
6.1 ASSEMBLAGE GÉNÉRAL.....	39
6.2 LISTE DES COMPOSANTS.....	39
7. DONNÉES LIÉES À LA SÉCURITÉ	40
7.1 DONNÉES DE SÉCURITÉ DE L'HUILE HYSPIV VG32	40
7.2 GRAISSE AU LITHIUM MOLY EP 3753 - DONNÉES LIÉES À LA SÉCURITÉ.....	40
7.3 GRAISSE MOLYKOTE® 111 - DONNÉES DE SÉCURITÉ.....	41
8. DÉCLARATION D'INCORPORATION DE QUASI-MACHINES DE LA CE.....	42
9. DÉCLARATION D'INCORPORATION DE QUASI-MACHINES AU ROYAUME-UNI.....	43
10. PROTÉGEZ VOTRE INVESTISSEMENT!.....	44



Ce guide d'utilisation doit être lu par toute personne qui installe ou utilise cet outil avec une attention particulière aux règles de sécurité suivantes.



Portez toujours une protection oculaire résistant aux impacts durant l'utilisation de l'outil. Le niveau de protection requis doit être évalué pour chaque utilisation.



L'utilisation de l'outil peut exposer les mains de l'utilisateur aux risques, incluant l'écrasement, les impacts, les coupes, les éraflures et la chaleur. Portez des gants appropriés pour protéger vos mains.



Utilisez une protection auditive conforme aux instructions de l'employeur et tel que requis par les réglementations liées à la santé et la sécurité au travail.

1. DÉFINITIONS LIÉES À SÉCURITÉ

Les définitions suivantes décrivent le niveau de sévérité pour chaque mot-indicateur. Veuillez lire le guide et porter attention à ces symboles.

⚠ DANGER : Indique une situation dangereuse imminente qui, si elle ne peut être évitée, entraînera la mort ou des blessures graves.

⚠ AVERTISSEMENT : Indique une situation potentiellement dangereuse qui, si elle ne peut être évitée, pourrait entraîner la mort ou des blessures graves.

⚠ ATTENTION : Indique une situation potentiellement dangereuse qui, si elle n'est pas évitée, peut entraîner une blessure légère ou modérée.

⚠ ATTENTION : Utilisé sans le symbole d'alerte de sécurité indique une situation potentiellement dangereuse qui, si elle n'est pas évitée, peut entraîner des dommages matériels.

Une utilisation ou un entretien inappropriés de ce produit pourrait entraîner une blessure grave ou des dommages matériels. Lisez et comprenez tous les avertissements et toutes les instructions d'utilisation avant d'utiliser cet équipement. Lorsque vous utilisez des outils électriques, des consignes de sécurité de base doivent être suivies afin de réduire le risque de blessures corporelles.

CONSERVEZ TOUS LES AVERTISSEMENTS ET LES INSTRUCTIONS POUR RÉFÉRENCE ULTÉRIEURE

1.1 RÈGLES GÉNÉRALES DE SÉCURITÉ

- Pour les risques multiples, lisez et comprenez les consignes de sécurité avant d'installer, d'utiliser, de réparer, d'entretenir, de changer les accessoires ou de travailler près de l'outil. Ne pas le faire peut entraîner une blessure corporelle grave.
- Seulement les utilisateurs formés et qualifiés doivent installer, ajuster ou utiliser l'outil.
- NE PAS utiliser dans un autre but que la mise en place des rivets aveugles de STANLEY Engineered Fastening.
- Utilisez seulement des pièces, des fixations et des accessoires recommandés par le fabricant.
- NE PAS modifier l'outil. Les modifications peuvent réduire l'efficacité des mesures de sécurité et augmenter les risques pour l'utilisateur. Toute modification de l'outil entreprise par le client sera l'entière responsabilité du client et annulera toute garantie applicable.
- Ne pas jeter les consignes de sécurité; donnez-les à l'utilisateur.
- Ne pas utiliser l'outil s'il a été endommagé.
- Avant d'utiliser, vérifiez si les pièces en mouvement sont mal alignées ou fixes, s'il y a des bris des pièces et tout autre état qui affecte l'utilisation de l'outil. S'il est endommagé, faites réparer l'outil avant de l'utiliser. Retirez toute clé de réglage avant de l'utiliser.
- Les outils doivent être inspectés régulièrement afin de vérifier les caractéristiques nominales et les inscriptions requises par cette partie de la norme ISO 11148 sont indiquées lisiblement sur l'outil. L'employeur/utilisateur doit contacter le fabricant pour obtenir des étiquettes de remplacement au besoin.
- L'outil doit être maintenu dans un état de fonctionnement sécuritaire en tout temps, vérifié régulièrement pour des dommages et utilisé par du personnel qualifié. Toute procédure de démontage sera entreprise seulement par du personnel qualifié. Ne pas démonter cet outil sans référence préalable aux instructions d'entretien.

1.2 RISQUES LIÉS AUX PROJECTILES

- Débranchez l'outil de l'alimentation hydraulique avant d'effectuer tout entretien, d'essayer de régler, d'installer ou de retirer un embout ou des accessoires.
- Sachez que la défaillance de la pièce de travail ou des accessoires ou même l'outil inséré lui-même peut générer des projectiles à haute vitesse.
- Portez toujours une protection oculaire résistant aux impacts durant l'utilisation de l'outil. Le niveau de protection requis doit être évalué pour chaque utilisation.

- Les risques pour autrui doivent aussi être évalués à ce moment.
- Assurez-vous que la pièce de travail est fixée solidement.
- Assurez-vous que le moyen de protection contre l'éjection de la fixation et/ou du mandrin est en place et fonctionnelle.
- Prémunissez-vous contre l'éjection puissante possible des mandrins à l'avant de l'outil.
- NE PAS utiliser un outil qui est dirigé vers toute personne.

1.3 RISQUES LIÉS À L'UTILISATION

- Lorsque l'outil fonctionne, il ne doit pas être tenu d'une main ni être en contact avec une partie du corps. Il existe un risque de cisaillement lorsque le piston se rétracte.
- L'utilisation de l'outil peut exposer les mains de l'utilisateur aux risques, incluant l'écrasement, les impacts, les coupes, les éraflures et la chaleur. Portez des gants appropriés pour protéger vos mains.
- Relâchez le dispositif de démarrage et d'arrêt en cas d'interruption de l'alimentation hydraulique.
- Utilisez seulement les lubrifiants recommandés par le fabricant.
- Le contact avec le liquide hydraulique doit être évité. Afin de minimiser la possibilité d'éruptions cutanées, des précautions doivent être prises pour laver en profondeur si un contact se produit.
- Les fiches signalétiques pour toutes les huiles hydrauliques et tous les lubrifiants sont disponibles sur demande chez votre fournisseur d'outils.
- Si l'outil est fixé à un dispositif de suspension, assurez-vous que la fixation est sécuritaire.
- Attention aux risques d'écrasement ou de pincement si l'équipement de l'embout n'est pas installé.
- NE PAS utiliser l'outil avec le boîtier de l'embout retiré.
- Lorsque vous transportez l'outil d'un endroit à l'autre, gardez vos mains loin de la gâchette afin d'éviter une activation par inadvertance.
- NE PAS abuser de l'outil en l'échappant ou en l'utilisant comme un marteau.
- Des précautions doivent être prises pour assurer que les mandrins usés ne constituent pas un danger.

1.4 RISQUES LIÉS AUX MOUVEMENTS RÉPÉTITIFS

- Lors de l'utilisation de l'outil, l'utilisateur peut ressentir un inconfort dans les mains, les bras, les épaules, le cou ou d'autres parties du corps.
- Pendant qu'il utilise l'outil, l'utilisateur doit adopter une posture confortable tout en maintenant un aplomb sécuritaire et en évitant des postures inconfortables ou déséquilibrées. L'utilisateur doit modifier sa posture durant les tâches prolongées; cela peut aider à éviter l'inconfort et la fatigue.
- Si l'utilisateur ressent des symptômes comme un inconfort persistant ou récurrent, de la douleur, des sensations de pulsations, de crampes, de picotements, d'engourdissements, de brûlures ou de raideur, ces avertissements ne doivent pas être ignorés. L'utilisateur doit le dire à l'employeur et consultez un professionnel de la santé.

1.5 RISQUES LIÉS AUX ACCESSOIRES

- Débranchez l'outil de l'alimentation hydraulique avant de monter ou de démonter l'embout ou un accessoire.
- Utilisez seulement les tailles et les types d'accessoires ou de produits consommables qui sont recommandés par le fabricant de l'outil; ne pas utiliser d'autres tailles ou types d'accessoires ou des produits consommables.

1.6 RISQUES EN MILIEU DE TRAVAIL

- Les glissements, trébucher et les chutes sont des causes majeures des blessures en milieu de travail. Tenez compte des surfaces glissantes causées par l'utilisation de l'outil et les risques de trébucher causés par les conduites d'air ou le tuyau hydraulique.
- Soyez prudent dans les environnements inconnus. Il peut y avoir des dangers cachés comme l'électricité ou d'autres câbles de services publics.
- L'outil n'est pas conçu pour une utilisation en atmosphères potentiellement explosives et il n'est pas isolé contre le contact avec l'électricité.
- Assurez-vous qu'il n'y a aucun câble électrique, tuyau de gaz, etc. qui peut causer un danger s'il est endommagé par l'utilisation de l'outil.
- Habillez-vous convenablement. Ne pas porter de vêtements amples ou des bijoux. Gardez vos cheveux, vos vêtements et vos gants hors de portée des pièces en mouvement. Les vêtements amples, les bijoux ou les cheveux longs peuvent se coincer dans les pièces en mouvement.
- Des précautions doivent être prises pour assurer que les mandrins usés ne constituent pas un danger.

1.7 RISQUES LIÉS AU BRUIT

- L'exposition à des niveaux élevés du bruit peut causer une perte de l'ouïe invalidante permanente et d'autres problèmes comme l'acouphène (tintements, bourdonnements, sifflements ou vrombissements dans les oreilles). Ainsi, l'évaluation des risques et la mise en œuvre des contrôles appropriés pour ces risques sont essentielles.
- Les contrôles appropriés pour réduire les risques peuvent comprendre des mesures comme des matériaux insonorisant afin d'empêcher le « tintement » des pièces de travail.

- Utilisez une protection auditive conforme aux instructions de l'employeur et tel que requis par les réglementations liées à la santé et la sécurité au travail.
- Utilisez et maintenez l'outil conformément aux recommandations du guide d'utilisation afin de prévenir une augmentation non nécessaire du niveau du bruit.

1.8 CONSIGNES DE SÉCURITÉ SUPPLÉMENTAIRES POUR LES OUTILS HYDRAULIQUES

- L'alimentation hydraulique opérationnelle ne doit pas excéder 345 bars (5000 PSI).
- L'huile sous pression peut causer une blessure grave.
- Ne pas installer des tuyaux hydrauliques flexibles de pression de service nominale inférieure à 700 bars (10 000 PSI) à un débit de 2,73 l/min (200 en 3/min).
- Déconnectez les tuyaux hydrauliques de l'unité de la pompe lorsque l'outil n'est pas utilisé avant de changer les accessoires ou lors de réparations.
- Frapper les tuyaux peut causer une blessure grave. Vérifiez toujours s'il y a des tuyaux et des raccords endommagés ou desserrés.
- Avant utilisation, inspectez les tuyaux hydrauliques en termes de dommages ; tous les raccords hydrauliques doivent être propres, entièrement engagés et serrés avant utilisation. Ne pas échapper des objets lourds sur les tuyaux. Un impact considérable peut causer des dommages internes et entraîner une défaillance prématurée des tuyaux.
- Lorsque des raccords tournants universels (raccords à griffes) sont utilisés, les goupilles de sécurité doivent être installées et les câbles de sécurité pour tuyaux doivent être utilisés contre une possible défaillance d'une connexion tuyau à outil ou tuyau à tuyau.
- NE PAS lever le module de mise en place par le tuyau. Utilisez le corps du module de mise en place en tout temps.
- Gardez la saleté et les corps étrangers hors du système hydraulique de l'outil puisque cela causera un mauvais fonctionnement de l'outil.
- Utiliser seulement de l'huile et de l'équipement de remplissage propres.
- Utiliser seulement les fluides hydrauliques recommandés.
- La température maximale du fluide hydraulique en entrée est de 110°C (230°F).

La politique STANLEY Engineered Fastening est une politique de développement et d'amélioration en permanence et nous nous réservons le droit de modifier les caractéristiques de tout produit sans préavis.

2. CARACTÉRISTIQUES

2.1 UTILISATION PRÉVUE

Le module 71501 se compose principalement d'un piston et d'un vérin. Lorsqu'il est raccordé par voie hydraulique à une source d'alimentation hydraulique compatible et que l'embout concerné est fixé, il sert à poser des rivets aveugles jusqu'à 6,4 mm (1/4 po) de diamètre, en environnement industriel.

Le module de mise en place doit être utilisé conformément aux instructions d'utilisation seulement, pour poser des rivets structurels Stanley Engineered Fastening.

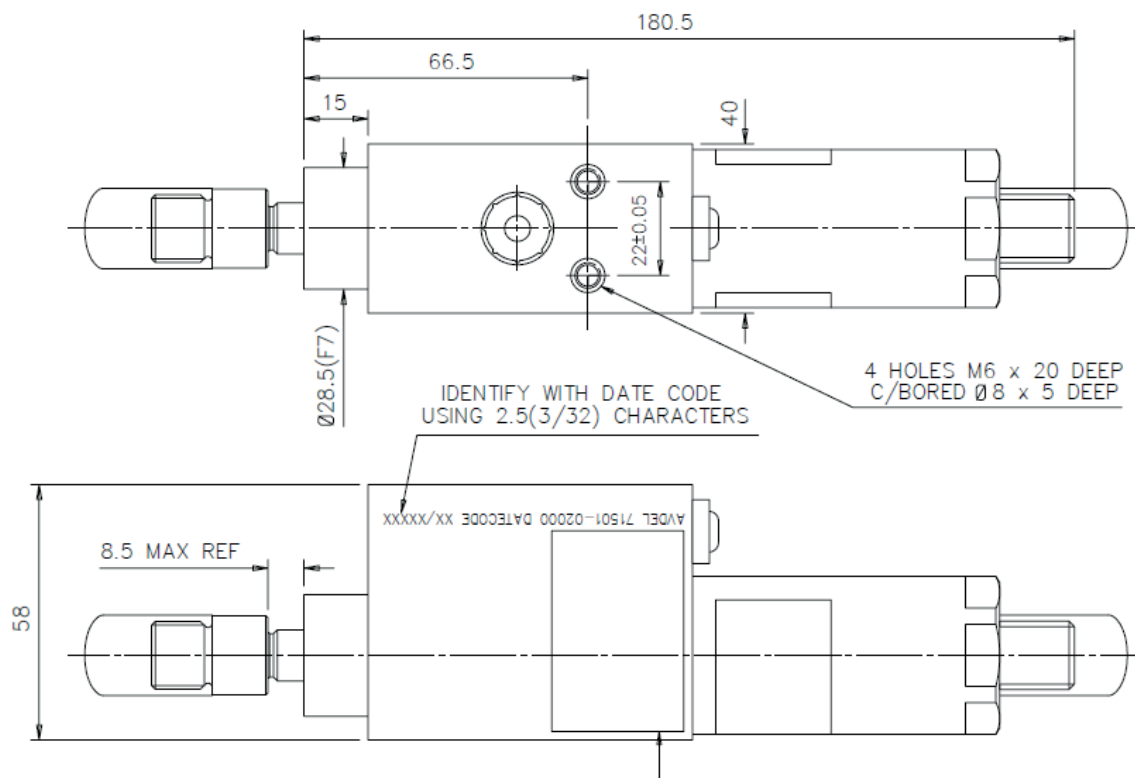
NE PAS utiliser en conditions mouillées ou en présence de liquides ou de gaz inflammables.

Les avertissements de sécurité doivent être suivis en tout temps.

2.2 CARACTÉRISTIQUES DE L'OUTIL

SPÉCIFICATION	MÉTRIQUE	IMPÉRIALE
Force : Tirer à pression de traction indiquée	12,9 kN	2900 lbf
Pression : Maximum	345 bars	5000 PSI
Course : Course du piston	31,75 mm	1,25 po
Diamètre d'alésage du piston : Minimum	4,87 mm	0,19 po
Poids : Sans équipement d'embout	0,77 kg	1,70 lbs

2.3 DIMENSIONS DE L'OUTIL



Toutes les dimensions sont indiquées en millimètres.

3. MISE EN SERVICE

IMPORTANT - LISEZ ATTENTIVEMENT LES RÈGLES DE SÉCURITÉ AUX PAGES 32 - 34 ET LE MANUEL TECHNIQUE FOURNI AVEC LA MACHINE COMPLÈTE AVANT DE LA METTRE EN SERVICE.

LE MODULE EST CONÇU POUR FONCTIONNER AVEC UNE MACHINE ENTIÈREMENT OU SEMI-AUTOMATISÉE. LORS DES CYCLES DE FONCTIONNEMENT DE L'OUTIL, IL NE DOIT PAS ÊTRE TENU D'UNE MAIN NI ÊTRE EN CONTACT AVEC UNE PARTIE DU CORPS. IL EXISTE UN RISQUE DE CISAILLEMENT LORSQUE LE PISTON SE RÉTRACTE.

Les instructions d'installation et de retrait du module du cadre de la machine sont présentées dans le manuel technique fourni avec cette dernière. Le manuel technique contient les instructions complètes de mise en service du module, ainsi que les instructions de démontage, d'entretien et d'assemblage de l'équipement d'embout.

4. CONSIGNES D'UTILISATION

IMPORTANT - LISEZ ATTENTIVEMENT LES RÈGLES DE SÉCURITÉ AUX PAGES 32 - 34 ET LE MANUEL TECHNIQUE FOURNI AVEC LA MACHINE COMPLÈTE AVANT D'UTILISER L'OUTIL.

Reportez-vous au manuel technique fourni avec la machine pour prendre connaissance des instructions.

5. ENTRETIEN DE L'OUTIL

IMPORTANT - LISEZ LES RÈGLES DE SÉCURITÉ AUX PAGES 32 - 34 ET LE MANUEL TECHNIQUE FOURNI AVEC LA MACHINE COMPLÈTE.

L'EMPLOYEUR EST RESPONSABLE D'ASSURER QUE LES INSTRUCTIONS D'ENTRETIEN SONT DONNÉES AU PERSONNEL APPROPRIÉ. L'UTILISATEUR DOIT NE PAS S'IMPLIQUER DANS L'ENTRETIEN OU LES RÉPARATIONS DE L'OUTIL À MOINS D'AVOIR ÉTÉ FORMÉ DE FAÇON APPROPRIÉE. L'OUTIL DOIT ÊTRE EXAMINÉ RÉGULIÈREMENT EN TERMES DE DOMMAGES ET DE DYSFONCTIONNEMENT.

Reportez-vous au manuel technique fourni avec la machine pour les instructions d'entretien complètes.

5.1 ENTRETIEN QUOTIDIEN

- Vérifiez s'il y a des fuites d'huile sur l'outil de mise en place, les tuyaux et les raccords.
- Les tuyaux et les raccords usés ou endommagés doivent être remplacés.
- Vérifiez si la course de l'outil respecte la spécification.
- Vérifiez que la pression d'alimentation est correcte et ne dépasse pas 345 bars.

5.2 ENTRETIEN HEBDOMADAIRE

- Démontez et nettoyez l'équipement de l'embout particulièrement les mâchoires, comme décrit dans le manuel technique de la machine.
- Vérifiez s'il y a des fuites d'huile sur l'outil de mise en place, les tuyaux et les raccords rapides.

ATTENTION : Ne jamais utiliser de solvant ou d'autres produits chimiques forts pour le nettoyage des pièces non métalliques de l'outil. Ces produits chimiques peuvent affaiblir les matériaux utilisés dans ces pièces.

5.3 ENTRETIEN ANNUEL / TOUTES LES 500 000 UTILISATIONS

- L'outil doit être complètement démonté tous les 500 000 cycles et des composants neufs doivent être utilisés s'ils sont usés, endommagés ou selon les recommandations. Tous les joints toriques, les bagues d'appui et les joints d'étanchéité doivent être renouvelés et lubrifiés avec de la graisse MolyKote® 111 avant d'assembler.

5.4 NÉCESSAIRE D'ENTRETIEN

Pour un entretien complet, le nécessaire d'entretien suivant est disponible :

NÉCESSAIRE D'ENTRETIEN : 71501-99990			
Numéro de pièce	Description	Numéro de pièce	Description
07900-00429	Clé d'assemblage	07900-00393	Clé de 15mm x 14mm A/F
07900-00006	Outil de pose de joint torique	07900-00736	Clé de 34mm A/F
07900-00012	Clé de 9/16" x 5/8" A/F	07900-00735	Bille d'assemblage
07900-00015	Clé de 5/8" x 11/16" A/F	07992-00020	Graisse au Moly-lithium
07900-00351	Clé Allen de 3mm A/F		

5.5 HUILE HYDRAULIQUE

L'huile d'amorçage recommandée est Hyspin® VG32, disponible en contenants de 0,5 l (référence 07992-00002) ou d'un gallon (référence 07992-00006).

5.6 CONSIGNES DE DÉMONTAGE

IMPORTANT – VÉRIFIEZ QUE L'ALIMENTATION DU SECTEUR ET D'AIR À LA MACHINE ET LA POMPE HYDRAULIQUE EST COUPÉE AVANT DE DÉMONTER L'OUTIL.

Les instructions d'installation et de retrait du module du cadre de la machine sont présentées dans le manuel technique fourni avec cette dernière. Le manuel technique contient des instructions complètes de démontage, d'entretien et d'assemblage de l'outil.

Avant le démontage :

- Retirez le module de la machine.
- Retirez l'embout du module conformément aux instructions du manuel technique fourni avec la machine.
- Les substances potentiellement dangereuses qui peuvent s'être déposées sur la machine à la suite de processus de travail doivent être éliminées avant l'entretien.

Pour un entretien complet de l'outil, nous conseillons de le démonter dans l'ordre indiqué dans les pages 36 à 38. Après le démontage de l'outil, nous vous recommandons de remplacer tous les joints d'étanchéité.

Instructions de démontage :

- Retirez la vis bouton à l'aide d'une clé Allen de 3 mm ainsi que le joint fixé sur le bouchon de purge (repère 19). Si l'une de ces pièces est endommagée, l'ensemble complet doit être changé.
- À l'aide d'une clé de 15 mm A/F, dévissez la vis de purge hexagonale et déposez le joint fixé de 1/8 po. Si l'une de ces pièces est endommagée, l'ensemble complet doit être changé.
- Purgez l'huile hydraulique restante de l'outil.
- Bloquez le corps de l'outil (repère 13), dans les mâchoires douces d'un étau. À l'aide d'une clé de 34 mm A/F, dévissez le manchon de retenue (repère 15). Cette opération doit être effectuée avec attention car cette pièce est sous pression à ressort (repère 12).
- Retirez le joint torique (repère 1) de l'adaptateur (repère 16), avec la spatule (07900-00006). Vérifiez l'usure et remplacez au besoin.
- Retirez le ressort (repère 12) de l'alésage de l'outil.
- À l'aide de la clé de piston (07900-00429), bloquez le piston (repère 14). Retirez le carter de déploiement de la mâchoire (repère 11) en le dévissant avec une clé de 5/8" A/F.
- Sortez le piston (repère 14) de l'arrière de l'outil. Prenez soin de ne pas endommager l'alésage intérieur du corps (repère 13).
- À l'aide de la spatule (07900-00006), déposez le joint (repère 4) du piston (repère 14). Prenez soin de ne pas endommager les surfaces d'étanchéité du piston (repère 14).
- Déposez la bande de roulement (repère 9). Vérifiez l'usure et remplacez au besoin.
- Déposez le carter du racleur (repère 17) du corps (repère 13).
- Déposez le racleur à l'aide de la spatule (07900-00006) (repère 3). Vérifiez l'usure et remplacez au besoin.
- À l'aide de la spatule (07900-00006), déposez le joint (repère 5) du corps (repère 13). Prenez soin de ne pas endommager les surfaces d'étanchéité du corps (repère 13).
- Déposez la bande de roulement (repère 8) du corps (repère 13). Vérifiez l'usure et remplacez au besoin.

Instructions d'assemblage :

- Nettoyez soigneusement toutes les pièces. Inspectez et remplacez toute pièce usée ou endommagée.
- L'assemblage est à l'inverse du démontage.
- Vérifiez que les joints d'étanchéité (repères 4 et 5) et que le racleur (repère 3) sont posés dans le bon sens. Lubrifiez tous les joints et carters avec de la graisse au Molythium (07992-00020).
- En posant le piston (repère 14) dans le corps (repère 13), il est essentiel d'utiliser la bille d'assemblage 07900-00735 pour éviter d'endommager le joint.
- L'ensemble du carter de déploiement de la mâchoire (repère 11) doit être vissé sur le piston (repère 14) selon un couple de 27 NM (20 lbf ft).

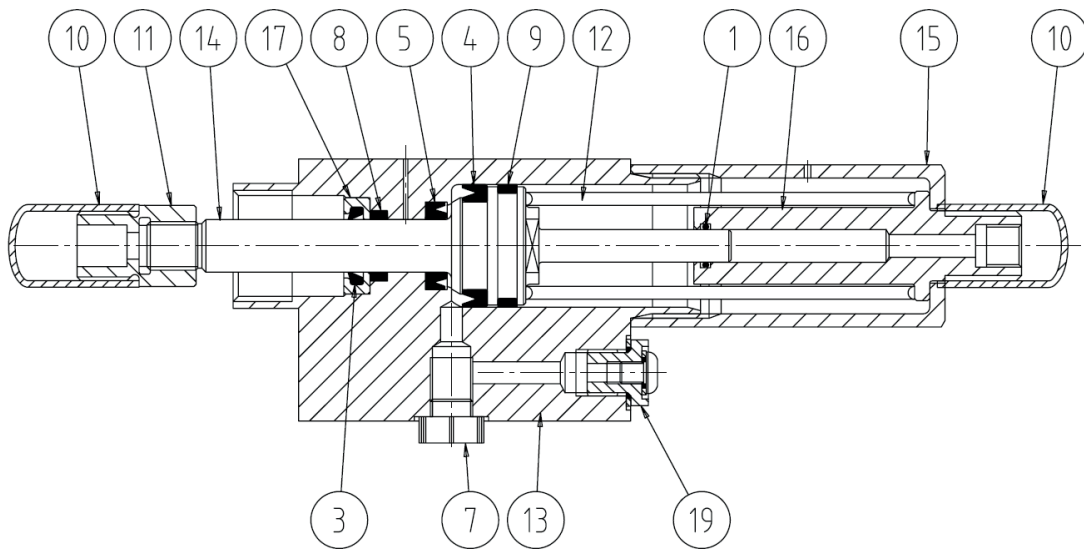
Tous les numéros de repère font référence à l'assemblage général et à la liste des pièces dans les pages de la section 6.0.

5.7 PROTÉGER L'ENVIRONNEMENT

- Vérifiez la conformité aux réglementations locales de mise au rebut. Éliminez tous les déchets dans une installation ou un site de gestion des déchets approuvé afin de ne pas exposer le personnel et l'environnement aux dangers.

6. ASSEMBLAGE GÉNÉRAL ET LISTE DE PIÈCES

6.1 ASSEMBLAGE GÉNÉRAL



6.2 LISTE DES COMPOSANTS

Liste des pièces 71501-02000			
ARTICLE	RÉFÉRENCE	DESCRIPTION	QTÉ
1	07003-00190	JOINT TORIQUE	1
2			
3	07003-00156	BAGUE DE RACLEUR	1
4	07003-00244	JOINT DE PISTON	1
5	07003-00222	JOINT DE TIGE	1
6	07007-02223	ÉTIQUETTE D'ADRESSE (NON ILLUSTRÉE)	1
7	07007-01045	BOUCHON EN PLASTIQUE	1
8	07007-01318	BANDE DE ROULEMENT	1
9	07007-01320	BANDE DE ROULEMENT	1
10	07007-01386	BOUCHON EN PLASTIQUE	2
11	07490-00700	ENSEMBLE DE CARTER DE DÉPLOIEMENT DE LA MÂCHOIRE	1
12	07651-00204	RESSORT	1
13	71501-02001	CORPS	1
14	71501-02002	PISTON	1
15	71501-02003	MANCHON DE RETENUE	1
16	71501-02004	ADAPTEUR	1
17	71501-02005	CARTER DE RACLEUR	1
18	07273-00203	ÉTIQUETTE DE SÉCURITÉ (NON ILLUSTRÉE)	1
19	07530-00500	ENSEMBLE DE VIS DE PURGE	1
20	73200-02022	ÉTIQUETTE DE SÉCURITÉ (NON ILLUSTRÉE)	1

7. DONNÉES LIÉES À LA SÉCURITÉ

7.1 DONNÉES DE SÉCURITÉ DE L'HUILE HYSPIV VG32

Premiers soins

PEAU :

Lésion cutanée peu probable lors d'un contact bref ou occasionnel mais un contact ou une exposition prolongée peut provoquer une dermatite.

Lavez soigneusement la peau à l'eau et au savon dès que possible. Retirez les vêtements très contaminés et lavez la peau qui était en contact avec eux.

Lavez les vêtements contaminés.

BUCCALE :

Lésion peu probable en cas d'ingestion accidentelle de petites doses, bien que des quantités plus importantes puisse provoquer des nausées et de la diarrhée.

En cas de contamination buccale, lavez soigneusement à l'eau.

Sauf en cas d'acte délibéré, l'ingestion de grandes quantités est improbable. Dans un tel cas, ne provoquez pas de vomissement ; obtenez un avis médical.

Emmenez la personne au centre médical le plus proche.

YEUX :

Peu probable de causer plus qu'un picotement passager ou une rougeur en cas de contact oculaire accidentel.

Lavez soigneusement les yeux avec une grande quantité d'eau en veillant à maintenir les paupières ouvertes. Obtenez un avis médical en cas de douleur ou de rougeur persistante.

Mise au rebut :

Éliminez toute matière renversée avec une matière absorbante inerte. Ventilez la surface de renversement. Placez les matières contaminées dans un contenant jetable et éliminez-le conformément aux réglementations locales.

Protection de l'environnement :

Collecte séparée. Ce produit ne doit pas être jeté avec les déchets ordinaires. Si vous trouvez que votre produit doit être remplacé ou si vous ne l'utilisez plus, ne le jetez pas dans les déchets ordinaires.

Rendez ce produit disponible pour une collecte séparée. La collecte séparée des produits usés et des emballages permet de recycler les matériaux et de les réutiliser. Réutiliser des matériaux recyclés aide à prévenir la pollution environnementale et à réduire la demande de matériaux bruts. Les réglementations locales peuvent prévoir des collectes séparées de produits électriques, sur des sites de déchets municipaux ou par le détaillant lorsque vous achetez un nouveau produit. Vous pouvez vérifier l'emplacement de votre réparateur autorisé le plus près en contactant votre bureau STANLEY Engineered Fastening à l'adresse indiquée dans ce guide. Sinon, une liste de réparateurs agréés et les détails complets de nos services après-vente et de nos contacts sont disponibles sur le site internet www.StanleyEngineeredFastening.com

Incendie :

POINT D'ÉCLAIR : 200°C.

Éteignez avec de la poudre, une substance chimique, de la mousse ou du dioxyde de carbone. N'entrez pas dans un espace confiné sans appareil de respiration autonome.

Manutention :

Utilisez une crème barrière ou des gants résistant à l'huile.

Entreposage :

À couvert et conformément aux réglementations locales concernant les matières inflammables.

7.2 GRAISSE AU LITHIUM MOLY EP 3753 - DONNÉES LIÉES À LA SÉCURITÉ

La graisse peut être commandée comme article séparé, la référence est indiquée sur la page du nécessaire d'entretien 37.

PREMIERS SOINS

PEAU :

Étant donné que la graisse est complètement résistante à l'eau, il vaut mieux l'enlever avec nettoyant émulsifiant pour la peau approuvé.

INGESTION :

Assurez-vous que la personne boive 30 ml de lait de magnésie, de préférence dans une tasse de lait.

YEUX :

Irritant, mais pas dangereux. Irriguez avec de l'eau et consultez un médecin.

INCENDIE

POINT D'ÉCLAIR : Au-dessus de 220 °C.

Non classé comme inflammable.

Moyens d'extinction appropriés : CO₂, halon ou jet d'eau si appliqué par un utilisateur expérimenté.

ENVIRONNEMENT

Rassemblez pour l'incinération ou l'élimination dans un site approuvé.

MANUTENTION

Utilisez une crème barrière ou des gants résistant à l'huile

ENTREPOSAGE

À l'écart de la chaleur et des oxydants.

7.3 GRAISSE MOLYKOTE® 111 - DONNÉES DE SÉCURITÉ

La graisse peut être commandée comme article séparé, la référence est indiquée sur la page du nécessaire d'entretien 37.

PREMIERS SOINS

PEAU :

Aucun premier soin nécessaire.

INGESTION :

Aucun premier soin nécessaire.

YEUX :

Aucun premier soin nécessaire.

INHALATION :

Aucun premier soin nécessaire.

INCENDIE

POINT D'ÉCLAIR : Au-dessus de 101,1 °C (en vase clos)

Propriétés d'explosion : Non

Moyens d'extinction appropriés : Mousse de dioxyde de carbone, poudre sèche ou jet d'eau fin. L'eau peut être utilisée pour refroidir les contenants exposés au feu.

ENVIRONNEMENT

Aucun effet indésirable n'est prévu.

MANUTENTION

Une ventilation générale est recommandée. Évitez le contact avec les yeux.

ENTREPOSAGE

Ne pas entreposer avec des oxydants. Gardez le contenant fermé et entreposé à l'abri de l'eau ou de l'humidité.

8. DÉCLARATION D'INCORPORATION DE QUASI-MACHINES DE LA CE

Nous, **STANLEY Engineered Fastening Stanley House, Works Road, Letchworth Garden City, Hertfordshire, SG6 1JY ROYAUME-UNI**, déclarons sous notre seule responsabilité que le produit :

Description : 71501 Module hydro-pneumatique pour rivets aveugles

Modèle : 71501

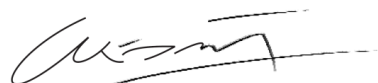
auquel cette déclaration est liée, est conforme aux normes harmonisées suivantes :

ISO 12100:2010	EN ISO 11148-1:2011
EN ISO 4413:2010	ES100118-rev 17:2017

La documentation technique est présentée conformément à l'Annexe VII, section B, conformément à la directive suivante : **2006/42/CE Directive sur les machines** (Instruments statutaires 2008 No 1597 - La fourniture de machines (sécurité) faisant référence à la réglementation).

Toutes les exigences de base pertinentes en matière de sécurité et de protection de la santé de la Directive 2006/42/CE sont respectées jusqu'à la cellule d'interface décrite dans les instructions d'utilisation, section 3 et 4.

Le signataire fait cette déclaration au nom de STANLEY Engineered Fastening



A. K. Seewraj

Directeur du génie, Royaume-Uni

Avdel UK Limited, Stanley House, Works Road, Letchworth Garden City, Hertfordshire,
SG6 1JY ROYAUME-UNI

Lieu d'émission : Letchworth Garden City, ROYAUME-UNI

Date d'émission : 01-01-2021

Le signataire est responsable de la compilation du fichier technique pour les produits vendus dans l'Union européenne et fait cette déclaration au nom de Stanley Engineered Fastening.

Matthias Appel

Chef d'équipe Documentation technique

Stanley Engineered Fastening, Tucker GmbH, Max-Eyth-Str.1,
35394 Gießen, Allemagne

**Cet équipement est conforme à
directive sur l'équipement 2006/42/CE**

9. DÉCLARATION D'INCORPORATION DE QUASI-MACHINES AU ROYAUME-UNI

Nous, **STANLEY Engineered Fastening Stanley House, Works Road, Letchworth Garden City, Hertfordshire, SG6 1JY ROYAUME-UNI**, déclarons sous notre seule responsabilité que le produit :

Description: 71501 Module hydro-pneumatique pour rivets aveugles

Modèle : 71501

auquel cette déclaration est liée, est conforme aux normes désignées suivantes :

ISO 12100:2010	EN ISO 11148-1:2011
EN ISO 4413:2010	ES100118-rev 17:2017

La documentation technique est compilée conformément aux réglementations sur la Fourniture de machines (sécurité) 2008, S.I. 2008/1597 (et leurs modifications).

Toutes les exigences de base pertinentes en matière de sécurité et de protection de la santé du Règlement sur la fourniture de machines (sécurité) 2008, S.I. 2008/1597 (tel que modifié) sont respectées jusqu'à la cellule d'interface décrite dans le mode d'utilisation, sections 3 et 4.

Le signataire fait cette déclaration au nom de STANLEY Engineered Fastening



A. K. Seewraj

Directeur du génie, Royaume-Uni

Avdel UK Limited, Stanley House, Works Road, Letchworth Garden City, Hertfordshire, SG6 1JY ROYAUME-UNI

Lieu d'émission : Letchworth Garden City, ROYAUME-UNI

Date d'émission : 01-01-2021

**Cet équipement est conforme à
Réglementations sur la Fourniture de machines (sécurité) 2008,
S.I. 2008/1597 (et leurs modifications)**

10. PROTÉGEZ VOTRE INVESTISSEMENT!

GARANTIE SUR LES OUTILS À RIVETS AVEUGLES Stanley® Engineered Fastening

STANLEY® Engineered Fastening garantit que tous les outils électriques ont été soigneusement fabriqués et qu'ils sont exempts de tout défaut de matériaux et de main-d'œuvre en utilisation normale et l'entretien pendant une période de un (1) an.

Cette garantie s'applique au premier acheteur de l'outil pour l'utilisation originale seulement.

Exclusions :

Usure normale.

L'entretien périodique, les réparations et les pièces de remplacement dus à l'usure normale sont exclus de la couverture.

Abus et mauvaise utilisation.

Une défektivité ou des dommages résultant d'une utilisation inappropriée, d'entreposage, d'une mauvaise utilisation, d'un abus ou d'une négligence, comme des dommages physiques sont exclus de la couverture.

Service ou modification non autorisé.

Les défektivités ou les dommages résultant d'un service, d'un ajustement de test, d'une installation, d'un entretien, d'une altération ou d'une modification de quelque façon et par quiconque autre STANLEY® Engineered Fastening ou ses centres de services autorisés, sont exclus de la couverture.

Toutes les autres garanties, qu'elles soient expresses ou implicites, incluant toute garantie de qualité marchande et d'adaptation sont par la présente exclues.

Si cet outil ne respecte pas la garantie, retournez rapidement l'outil à l'emplacement du centre de services autorisés le plus près. Pour une liste des centres de services autorisés STANLEY® Engineered Fastening aux États-Unis ou au Canada, contactez-nous à notre ligne sans frais au (877) 364-2781.

À l'extérieur des États-Unis et du Canada, visitez notre site Web **www.StanleyEngineeredFastening.com** pour trouver votre emplacement STANLEY Engineered Fastening le plus près.

STANLEY Engineered Fastening remplacera alors, sans aucuns frais, une ou des pièces trouvées par nous comme étant défectueuses en raison d'un défaut de fabrication et matériau ou de main-d'œuvre et retournera l'outil prépayé. Cela représente notre seule obligation sous cette garantie.

En aucun cas STANLEY Engineered Fastening ne sera tenu responsable de tout dommage consécutif ou spécial découlant de l'achat ou de l'utilisation de cet outil.

Enregistrez votre outil de rivets aveugles en ligne.

Pour enregistrer votre garantie en ligne, consultez notre site

<https://www.stanleyengineeredfastening.com/support/warranty-registration-form>

Merci d'avoir choisi un outil de la marque Stanley Assembly Technologies de STANLEY® Engineered Fastening.

©2021 STANLEY Black & Decker
 Todos os direitos reservados.

As informações fornecidas aqui não podem ser reproduzidas e/ou publicadas de qualquer forma e através de qualquer meio (eletrônica ou mecanicamente) sem a permissão prévia explícita e por escrito da STANLEY Engineered Fastening. As informações fornecidas baseiam-se em dados conhecidos no momento do lançamento de esse produto. A STANLEY Engineered Fastening segue uma política de melhoria contínua de produtos, por isso seus produtos podem sofrer alterações. As informações fornecidas se aplicam ao produto entregue pela STANLEY Engineered Fastening. Logo, a STANLEY Engineered Fastening não pode ser responsabilizada por qualquer dano resultante de desvios das especificações originais do produto.

As informações disponíveis foram elaboradas com o máximo cuidado. No entanto, a STANLEY Engineered Fastening não aceitará responsabilidade por quaisquer falhas de informação ou suas conseqüências resultantes disso. A STANLEY Engineered Fastening não aceitará qualquer responsabilidade por danos provenientes de atividades realizadas por terceiros. Os nomes de trabalho, nomes comerciais, marcas comerciais registradas etc. utilizadas pela STANLEY Engineered Fastening não devem ser considerados livres nos termos da legislação referentes à proteção das marcas.

ÍNDICE

1. DEFINIÇÕES DE SEGURANÇA	46
1.1 REGRAS GERAIS DE SEGURANÇA	46
1.2 PERIGOS DE PROJÉTEIS	46
1.3 PERIGOS OPERACIONAIS	47
1.4 PERIGOS DE MOVIMENTOS REPETITIVOS	47
1.5 PERIGOS DE ACESSÓRIOS	47
1.6 PERIGOS NO LOCAL DE TRABALHO	47
1.7 PERIGOS DE RUÍDO	47
1.8 INSTRUÇÕES ADICIONAIS DE SEGURANÇA PARA FERRAMENTAS HIDRÁULICAS	48
2. ESPECIFICAÇÕES	49
2.1 USO PRETENDIDO	49
2.2 ESPECIFICAÇÃO DA FERRAMENTA	49
2.3 DIMENSÕES DA FERRAMENTA	49
3. COLOCAR EM SERVIÇO	50
4. INSTRUÇÕES OPERACIONAIS	50
5. MANUTENÇÃO DA FERRAMENTA	50
5.1 MANUTENÇÃO DIÁRIA	50
5.2 MANUTENÇÃO SEMANAL	50
5.3 MANUTENÇÃO ANUAL / CADA 500.000 HORAS DE OPERAÇÃO	50
5.4 CONJUNTO DE MANUTENÇÃO	51
5.5 ÓLEO HIDRÁULICO	51
5.6 INSTRUÇÕES PARA DESMANTELAMENTO	51
5.7 PROTEÇÃO DO MEIO AMBIENTE	52
6. CONJUNTO GERAL E LISTA DE PEÇAS	53
6.1 CONJUNTO GERAL	53
6.2 LISTA DE PEÇAS	53
7. DADOS DE SEGURANÇA	54
7.1 DADOS DE SEGURANÇA DO ÓLEO HYSPIV VG32	54
7.2 GRAXA MOLILÍCIO EP 3753 - DADOS DE SEGURANÇA	54
7.3 GRAXA MOLYKOTE® 111 - DADOS DE SEGURANÇA	55
8. DECLARAÇÃO EC DE INCORPORAÇÃO DO MAQUINÁRIO PARCIALMENTE CONCLUÍDO	56
9. DECLARAÇÃO UK DE INCORPORAÇÃO DO MAQUINÁRIO PARCIALMENTE CONCLUÍDO	57
10. PROTEJA O SEU INVESTIMENTO!	58



Esse manual de instruções deve ser lido por qualquer pessoa que vai instalar ou operar essa ferramenta, e com atenção especial para as seguintes regras de segurança.



Sempre use óculos de proteção resistente a impacto durante a operação da ferramenta. O grau de proteção necessário deve ser avaliado antes de cada uso.



Uso da ferramenta pode expor as mãos do operador a perigos de esmagamento, impacto, cortes, abrasões e calor. Use luvas apropriadas para proteger suas mãos.



Use proteção auricular de acordo com as instruções do empregador e como exigido por as regulações de saúde e segurança no trabalho.

1. DEFINIÇÕES DE SEGURANÇA

As definições abaixo descrevem o nível de gravidade de cada palavra de sinalização. Por favor, leia o manual e preste atenção nestes símbolos.



PERIGO: Indica uma situação de perigo iminente que, se não for evitada, poderá resultar em morte ou ferimentos graves.



ATENÇÃO: Indica uma situação potencialmente perigosa que, se não for evitada, pode resultar em morte ou lesões corporais graves.



CUIDADO: Indica uma situação potencialmente perigosa que, se não for evitada, talvez resulte em ferimentos menores ou moderados.



CUIDADO: Usado sem o símbolo de alerta de segurança indica uma situação potencialmente perigosa que, se não for evitada, poderá resultar em danos materiais.

A operação ou manutenção inadequada deste produto pode resultar em ferimentos graves e danos materiais. Leia e entenda todos os avisos e instruções operacionais antes de utilizar este equipamento. Ao utilizar ferramentas elétricas, siga sempre as precauções básicas de segurança para reduzir o risco de lesões corporais.

GUARDE TODOS AS ADVERTÊNCIAS E INSTRUÇÕES PARA CONSULTA FUTURA

1.1 REGRAS GERAIS DE SEGURANÇA

- Para conhecer seus vários perigos, leia e compreenda as instruções de segurança antes de instalar, operar, reparar, manter, trocar acessórios ou trabalhar próximo da ferramenta. Seu não cumprimento pode resultar em danos corporais graves.
- Somente operadores qualificados e treinados podem instalar, ajustar ou usar a ferramenta.
- NÃO use o produto fora de sua aplicação prevista no projeto da Rebitadeiras de Rebite Cego da STANLEY Engineered Fastening.
- Use apenas peças, parafusos, e acessórios recomendados pelo fabricante.
- NÃO modifique a ferramenta. Modificações podem reduzir a eficiência das medidas de segurança e aumentar os riscos para o operador. Qualquer modificação na ferramenta realizada por o cliente será de sua inteira responsabilidade e invalida quaisquer garantias aplicáveis.
- Não descarte as instruções de segurança, as entregue ao operador.
- Não use a ferramenta se estiver danificada.
- Antes de usar, verifique se há desalinhamentos ou junções de peças móveis, quebra de peças e qualquer outras condições que afetem o funcionamento da ferramenta. Se ela estiver danificada, envie-a à manutenção antes de usá-la. Remova chaves de ajuste ou chaves fixa antes de usá-la.
- Inspeccione as ferramentas periodicamente para verificar se as classificações e marcações obrigatórias para essa peça por ISO 11148 estão visivelmente marcadas na ferramenta. O empregador/usuário deve contatar o fabricante para obter rótulos de marcação de reposição sempre que necessário.
- A ferramenta deve ser sempre mantida em condição operacional segura, e examinada por pessoal treinado em intervalos regulares quanto ao seu funcionamento e à presença de danos. Qualquer procedimento de desmontagem deve ser realizado apenas por pessoal treinado. Não desmonte esta ferramenta sem consultar antes as instruções de manutenção.

1.2 PERIGOS DE PROJÉTEIS

- Desconecte a ferramenta da alimentação hidráulica antes de executar qualquer manutenção, tentativa de ajuste, encaixe ou remoção do conjunto do nariz ou acessórios.
- Esteja atento que avaria na peça de trabalho ou acessórios, ou mesmo em a ferramenta pode gerar projéteis a alta velocidade.
- Sempre use óculos de proteção resistente a impacto durante a operação da ferramenta. O grau de proteção necessário deve ser avaliado antes de cada uso.

- Avalie ao mesmo tempo os riscos para os outros.
- Se certifique que a peça de trabalho está bem presa.
- Controle se os meios de proteção contra ejeção de os grampos e/ou mandril está em seu lugar e está operacional.
- Avise contra a possível ejeção forçada de mandris na parte frontal da ferramenta.
- NÃO opere uma ferramenta direcionada a uma pessoa(s).

1.3 PERIGOS OPERACIONAIS

- Quando a ferramenta é operada, não deve ser segurada na mão ou estar em contato com qualquer parte do corpo. Há uma possibilidade de lesão por cisalhamento quando o pistão é retraído.
- O uso da ferramenta pode expor as mãos do operador a perigos de esmagamento, impacto, cortes, abrasões e calor. Use luvas apropriadas para proteger suas mãos.
- Solte o mecanismo de partida-e-parada no caso de interrupção em a alimentação hidráulica.
- Use somente lubrificantes recomendados por o fabricante.
- Deve-se evitar o contato com o fluido hidráulico. Para minimizar a possibilidade de erupções, tome cuidado para lavar o local cuidadosamente se o contato ocorrer.
- As Fichas de Especificações de Segurança do Material para todos os óleos e lubrificantes hidráulicos estão disponíveis em seu fornecedor local da ferramenta a pedido.
- Se a ferramenta está fixa a um mecanismo de suspensão, se certifique que a fixação é segura.
- Tenha cuidado com o risco de esmagamento se o equipamento do nariz não estiver montado.
- NÃO OPERE a ferramenta sem o invólucro do nariz.
- Ao transportar a ferramenta de um lugar a outro, mantenha as mãos afastadas do gatilho para evitar um acionamento acidental.
- NÃO derrube a ferramenta ou a use como martelo.
- Tome cuidado para assegurar que os mandris gastos não se tornem um perigo.

1.4 PERIGOS DE MOVIMENTOS REPETITIVOS

- Quando estiver usando a ferramenta, o operador pode experimentar algum desconforto em suas mãos, braços, ombros, pescoço ou outras partes do corpo.
- Quando estiver usando a ferramenta, o operador deve adotar uma postura confortável ao mesmo tempo que tem os pés bem colocados e evitar posturas desajeitadas ou sem equilíbrio. O operador deve mudar sua postura durante tarefas longas; isso pode ajudar a evitar desconforto e fadiga.
- Se o operador sente sintomas como desconforto, dor, dor latejante, zumbido, dormência, sensação de queimadura ou rigidez, persistente ou recorrente, não deve ignorar esses sinais de aviso. O operador deve informar o empregador e consultar um profissional de saúde.

1.5 PERIGOS DE ACESSÓRIOS

- Desconecte a ferramenta da alimentação hidráulica antes de instalar ou remover o conjunto do nariz ou o acessório.
- Use somente tamanhos e tipos de acessórios e consumíveis recomendados por o fabricante da ferramenta; não use outros tipos ou tamanhos de acessórios ou consumíveis.

1.6 PERIGOS NO LOCAL DE TRABALHO

- Escorregar, tropeçar e quedas são as causas principais de ferimentos no local de trabalho. Tenha cuidado com superfícies deslizantes causadas por o uso da ferramenta e também de perigo de tropeçar causado por as linhas de ar e tubos hidráulicos.
- Em ambientes que não conhece proceda com cuidado. Pode ter perigos escondidos, como linhas de eletricidade e outros serviços.
- A ferramenta não serve para usar em ambientes potencialmente explosivos e não está isolada contra contato com energia elétrica.
- Se certifique que não tem cabos elétricos, tubos de gás, etc. que possam causar um perigo se danificado por a ferramenta.
- Vista-se adequadamente. Não use roupas largas ou jóias. Mantenha cabelos, roupas e luvas longe das peças móveis. Roupas largas, jóias ou cabelos longos podem ficar presos nas peças móveis.
- Tome cuidado para assegurar que os mandris gastos não se tornem um perigo.

1.7 PERIGOS DE RUÍDO

- Exposição a altos níveis de ruído pode causar perda de audição permanente e outros problemas, como tinnitus (sons ressoantes, zumbidos, assobios ou zunidos nos ouvidos). Por isso, a avaliação de risco e implementação de controles apropriados para esses perigos é essencial.
- Controles apropriados para reduzir esse risco podem incluir ações como materiais silenciadores para prevenir ruído sonante das peças de trabalho.
- Use proteção auricular de acordo com as instruções do empregador e como exigido por as regulações de saúde e segurança no trabalho.

- Opere e mantenha a ferramenta como recomendado em o Manual de Instruções, para evitar um aumento desnecessário do nível de ruído.

1.8 INSTRUÇÕES ADICIONAIS DE SEGURANÇA PARA FERRAMENTAS HIDRÁULICAS

- O ar de alimentação operacional não deve exceder 345 bar (5000 PSI).
- Óleo sob pressão pode causar ferimentos graves.
- Não monte tubos hidráulicos flexíveis com classificação inferior a 700 bar (10.000 PSI) de pressão operacional a uma taxa de fluxo de 2,73 l/min (200 gal 3/min).
- Desconecte as mangueiras hidráulicas da unidade da bomba quando a ferramenta não está sendo usada, antes de trocar acessórios ou antes de começar reparações.
- Tubos chicoteando pode causar ferimentos graves. Sempre verifique se os tubos ou fixações têm danos ou estão frouxos.
- Antes do uso, inspecione as mangueiras hidráulicas por danos, todas as conexões hidráulicas devem estar limpas, totalmente engatadas e fixadas antes da operação. Não deixe cair objetos pesados nas mangueiras. Um forte impacto pode causar danos internos e levar a avarias precoces da mangueira.
- Sempre que sejam usados acoplamentos de flexão-torção (acoplamento de garra), deve instalar pinos de trava e controle se é necessário usar cabos de segurança para proteger contra possíveis falhas de conexão entre tubo-ferramenta ou tubo-tubo.
- NÃO levante o módulo pelas mangueiras. Sempre utilize o corpo do módulo.
- Não deixe que o sistema hidráulico da ferramenta fique sujo ou com outros materiais, pois isso pode causar um funcionamento incorreto.
- Use apenas óleo e equipamento de abastecimento limpo.
- Apenas os fluidos hidráulicos recomendados podem ser usados.
- Temperatura máxima do fluido hidráulico na entrada é de 110°C (230°F).

A política da STANLEY Engineered Fastening tem como objetivo a melhoria e o desenvolvimento contínuos dos produtos. Assim, reservamo o direito de alterar as especificações de qualquer produto sem aviso prévio.

2. ESPECIFICAÇÕES

2.1 USO PRETENDIDO

O Módulo 71501 é principalmente um conjunto de pistão e cilindro. Quando acoplado hidráulicamente a uma fonte de energia hidráulica compatível e o conjunto do nariz relevante, é usada para instalar rebites cegos de até 6,4mm (1/4") de diâmetro, em ambientes industriais.

O módulo de posicionamento pode ser usado somente de acordo com as instruções operacionais para aplicação de rebites estruturais Stanley Engineered Fastening.

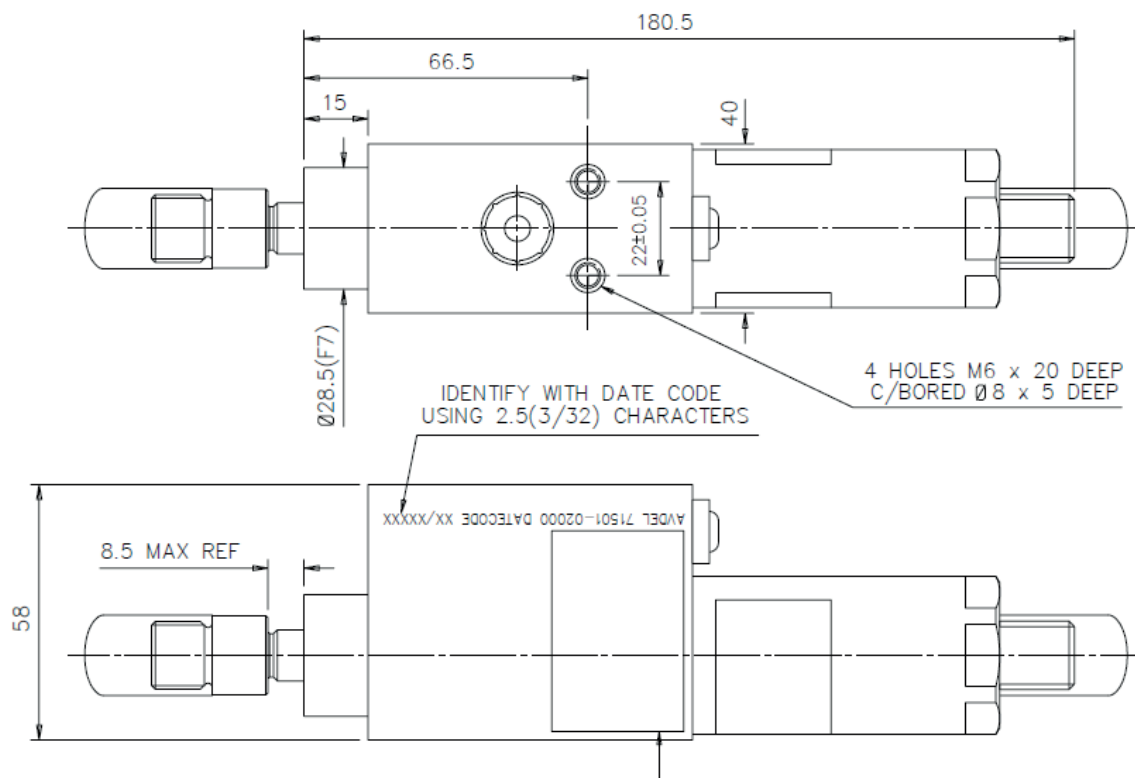
NÃO use na presença de umidade ou de gases e líquidos inflamáveis.

As instruções de segurança têm de ser sempre seguidas.

2.2 ESPECIFICAÇÃO DA FERRAMENTA

ESPECIFICAÇÃO		MÉTRICO	IMPERIAL
Força:	Tração na pressão de tração declarada	12,9kN	2900 lbf
Pressão:	Máxima	345 bar	5000 PSI
Curso:	Curso do pistão	31,75 mm	1.25 in
Diâmetro do núcleo do pistão:	Mínimo	4,87 mm	0.19 in
Peso:	Sem o nariz	0,77 kg	1,70 lbs

2.3 DIMENSÕES DA FERRAMENTA



Todas as dimensões são mostradas em milímetros.

3. COLOCAR EM SERVIÇO

IMPORTANTE - LEIA AS REGRAS DE SEGURANÇA NAS PÁGINAS 46 - 48 E O MANUAL TÉCNICO FORNECIDO COM A MÁQUINA COMPLETA ANTES DE COLOCAR EM SERVIÇO.

O MÓDULO É PROJETADO PARA OPERAR COMO PARTE DE UMA MÁQUINA AUTOMÁTICA OU SEMIAUTOMÁTICA COMPLETA. QUANDO A FERRAMENTA É OPERADA, NÃO DEVE SER SEGURADA NA MÃO OU ESTAR EM CONTATO COM QUALQUER PARTE DO CORPO. HÁ UMA POSSIBILIDADE DE LESÃO POR CISALHAMENTO QUANDO O PISTÃO É RETRAÍDO.

As instruções sobre como instalar e remover o módulo da estrutura da máquina serão incluídas no Manual Técnico fornecido com a máquina. O Manual Técnico incluirá instruções completas sobre como colocar o módulo em serviço, junto com as instruções sobre desmontagem, manutenção e montagem do Nariz.

4. INSTRUÇÕES OPERACIONAIS

IMPORTANTE - LEIA AS REGRAS DE SEGURANÇA NAS PÁGINAS 46 - 48 E O MANUAL TÉCNICO FORNECIDO COM A MÁQUINA COMPLETA ANTES DE OPERAR A FERRAMENTA.

Consulte o Manual Técnico fornecido com a máquina para obter as instruções de operação.

5. MANUTENÇÃO DA FERRAMENTA

IMPORTANTE - LEIA AS REGRAS DE SEGURANÇA NAS PÁGINAS 46 - 48 E O MANUAL TÉCNICO FORNECIDO COM A MÁQUINA COMPLETA.

O EMPREGADOR É RESPONSÁVEL POR CERTIFICAR QUE AS INSTRUÇÕES DE MANUTENÇÃO DA FERRAMENTA SÃO ENTREGUES AO PESSOAL APROPRIADO. O OPERADOR NÃO DEVE ESTAR ENVOLVIDO EM A MANUTENÇÃO OU REPARAÇÃO DA FERRAMENTA, EXCETO SE TEM O TREINAMENTO ADEQUADO. A FERRAMENTA DEVE SER EXAMINADA REGULARMENTE POR DANOS E MAU FUNCIONAMENTO.

Consulte o Manual Técnico fornecido com a máquina para obter as instruções de serviço completo.

5.1 MANUTENÇÃO DIÁRIA

- Verifique se a ferramenta de colocação, tubos e conectores tem vazamento de óleo.
- Se deve substituir tubos e conectores com dano ou gasto.
- Verifique se o curso da ferramenta atende à especificação.
- Verifique se a pressão de suprimento está correta e não exceda 345 bar.

5.2 MANUTENÇÃO SEMANAL

- Desmonte e limpe o equipamento do nariz, especialmente as mandíbulas, como descrito no Manual Técnico da Máquina.
- Verifique se tem vazamento de óleo em a ferramenta de colocação, tubos e acoplamentos rápidos.

CUIDADO - Nunca use solventes ou outros produtos químicos para a limpeza das partes não metálicas da ferramenta. Esses produtos químicos podem enfraquecer os materiais utilizados nestas partes.

5.3 MANUTENÇÃO ANUAL / CADA 500.000 HORAS DE OPERAÇÃO

- A cada 500.000 ciclos a ferramenta deve ser totalmente desmontada e usar novos componentes para substituir os gastos, danificados ou conforme recomendado. Todos os anéis O, anéis de reserva e vedantes devem ser substituídos e lubrificados com graxa MolyKote® 111 antes de montar.

5.4 CONJUNTO DE MANUTENÇÃO

Para ter um serviço completo, tem o seguinte Conjunto de Manutenção disponível:

CONJUNTO DE MANUTENÇÃO: 71501-99990			
Número de Peça	Descrição	Número de Peça	Descrição
07900-00429	Chave de montagem	07900-00393	Chave 15mm x 14mm A/F
07900-00006	Ferramenta do conjunto do anel em O	07900-00736	Chave 34mm A/F
07900-00012	Chave 9/16" x 5/8" A/F	07900-00735	Boletim de montagem
07900-00015	Chave 5/8" x 11/16" A/F	07992-00020	Graxa Molíltio
07900-00351	Chave Allen de 3mm A/F		

5.5 ÓLEO HIDRÁULICO

O óleo recomendado para escorva é o Hyspin® VG32 disponível em 0,5 l (número de peça 07992-00002) ou contêineres de um galão (número de peça 07992-00006).

5.6 INSTRUÇÕES PARA DESMANTELAMENTO

IMPORTANTE – GARANTA QUE AS TOMADAS E O FORNECIMENTO DE AR PARA A MÁQUINA E UNIDADE DE BOMBA HIDRÁULICA SEJA DESLIGADA ANTES DE DESMONTAR A FERRAMENTA.

As instruções sobre como instalar e remover o módulo da estrutura da máquina serão incluídas no Manual Técnico fornecido com a máquina. O Manual Técnico incluirá instruções completas sobre a desmontagem, manutenção e montagem da ferramenta.

Antes de Desmantelar:

- Remova o módulo da máquina.
- Remova o conjunto do nariz do módulo conforme as instruções no Manual Técnico fornecido com a máquina.
- Substâncias possivelmente perigosas que podem ser depositadas na máquina como resultado dos processos de trabalho devem ser removidas antes da manutenção.

Para manutenção completa da ferramenta, aconselhamos que você proceda com o desmantelamento da ferramenta seguindo a ordem descrita nas páginas da seção 50 a 52. Depois de desmantelar a ferramenta, recomendamos que substitua os vedantes.

Instruções de desmontagem:

- Usando uma chave Allen de 3mm, remova o parafuso e a vedação vinculada no conjunto do plugue de sangria (Item 19). Se uma dessas partes for danificada, todo o conjunto deve ser substituído.
- Usando uma chave 15mm A/F, desaparafuse o conjunto do parafuso de sangria sextavado e remova a vedação vinculada de 1/8". Se uma dessas partes for danificada, todo o conjunto deve ser substituído.
- Drene o óleo hidráulico restante da ferramenta.
- Segure o corpo da ferramenta (Item 13), nas mandíbulas macias de um torno. Usando uma chave 34mm A/F, desaparafuse a luva de retenção (Item 15). Deve-se ter cuidado com esta operação, pois esta peça está sob pressão da mola (Item 12).
- Remova o anel em O (Item 1) do adaptador (Item 16), usando a espátula (07900-00006). Inspeção por desgaste e substitua, conforme necessário.
- Remova a mola (Item 12) do núcleo da ferramenta.
- Usando a chave para o pistão (07900-00429), aperte o pistão (Item 14). Remova o conjunto da carcaça do espaçador de mandíbulas (item 11) desaparafusando com uma chave 5/8" A/F.
- Extraia o pistão (Item 14) da traseira da ferramenta. Tome cuidado para não danificar o núcleo interno do corpo (Item 13).
- Usando a espátula (07900-00006), remova a vedação (Item 4) do pistão (Item 14). Tome cuidado para não danificar as superfícies de vedação do pistão (Item 14).
- Remova a faixa do rolamento (Item 9). Inspeção por desgaste e substitua, conforme necessário.
- Remova a carcaça do limpador (Item 17) do corpo (Item 13).
- Usando a espátula (07900-00006), remova o limpador (Item 3). Inspeção por desgaste e substitua, conforme necessário.
- Usando a espátula (07900-00006), remova a vedação (Item 5) do corpo (Item 13). Tome cuidado para não danificar as superfícies de vedação do corpo (Item 13).
- Remova a faixa do rolamento (Item 8) do corpo (Item 13). Inspeção por desgaste e substitua, conforme necessário.

Instruções de montagem:

- Limpe completamente todas as peças. Inspecione e substitua as peças desgastadas ou danificadas.
- A montagem é realizada pela ordem inversa desse procedimento.
- Garanta que as vedações (Itens 4 e 5) e o limpador (Item 3), foram substituídos na orientação correta. Lubrifique todas as vedações e carcaças com graxa de molibdtio (07992-00020).
- Quando ajustar o pistão (Item 14) no corpo (Item 13), é fundamental que o marcador de montagem 07900-00735 seja usado para impedir danos à vedação.
- O conjunto da carcaça do distribuidor de mandíbulas (Item 11) deve ser aparafusado no pistão (Item 14) a um torque de 27 NM (20lbsf pés).

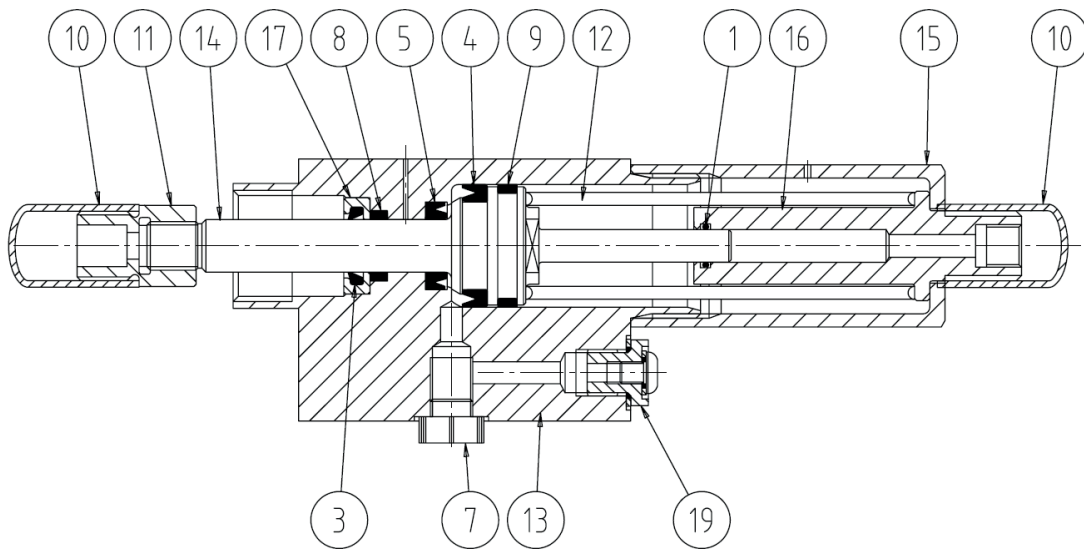
Todos os números em negrito se referem ao Conjunto Geral e Lista de Peças na seção 6.0.

5.7 PROTEÇÃO DO MEIO AMBIENTE

- Assegure conformidade com as regras aplicáveis de descarte. Descarte todos os produtos resíduo em uma estação ou local aprovado de resíduos para não expor o pessoal e o meio-ambiente a perigos.

6. CONJUNTO GERAL E LISTA DE PEÇAS

6.1 CONJUNTO GERAL



6.2 LISTA DE PEÇAS

71501-02000 Lista de peças			
ÍTEM	NÚMERO DE PEÇA	DESCRIÇÃO	QTD.
1	07003-00190	VEDAÇÃO DO ANEL O	1
2			
3	07003-00156	ANEL DO LIMPADOR	1
4	07003-00244	VEDAÇÃO DO PISTÃO	1
5	07003-00222	VEDAÇÃO DA HASTE	1
6	07007-02223	RÓTULO DE ENDEREÇO (NÃO MOSTRADA)	1
7	07007-01045	BUJÃO PLÁSTICO	1
8	07007-01318	FAIXA DO ROLAMENTO	1
9	07007-01320	FAIXA DO ROLAMENTO	1
10	07007-01386	TAMPA PLÁSTICA	2
11	07490-00700	CONJUNTO DA CARÇAÇA DO DISTRIBUIDOR DE MANDÍBULAS	1
12	07651-00204	MOLA	1
13	71501-02001	CAIXA	1
14	71501-02002	PISTÃO	1
15	71501-02003	LUVA DE RETENÇÃO	1
16	71501-02004	ADAPTADOR	1
17	71501-02005	CARÇAÇA DO LIMPADOR	1
18	07273-00203	ETIQUETA DE SEGURANÇA (NÃO MOSTRADA)	1
19	07530-00500	CONJUNTO DO PARAFUSO DE SANGRIA	1
20	73200-02022	RÓTULO DE SEGURANÇA (NÃO MOSTRADA)	1

7. DADOS DE SEGURANÇA

7.1 DADOS DE SEGURANÇA DO ÓLEO HYSPIN VG32

Primeiros Socorros

PELE:

É improvável que cause lesões na pele por contato rápido ou ocasional, mas a exposição prolongada pode levar a dermatite. Lave a pele cuidadosamente com água e sabão, assim que razoavelmente possível. Remova as roupas muito contaminadas e lave sob a pele.

Lave roupas contaminadas.

ORAL:

É improvável que cause lesões se engolido acidentalmente em pequenas doses, embora grandes quantidades possam causar náusea e diarreia.

Se ocorrer contaminação da boca, lave completamente com água.

Exceto como uma ação deliberada, a ingestão de grandes quantidades de produto é improvável. Se isso ocorrer, não induza o vômito. Obtenha aconselhamento médico.

Leve a pessoa para o centro médico mais próximo.

OLHOS:

É improvável que cause mais do que uma vermelhidão ou um incômodo temporário se ocorrer contato acidental com os olhos.

Lave os olhos com cuidado com água em abundância, garantindo que as pálpebras sejam mantidas abertas. Obtenha aconselhamento médico se ocorrer ou em caso de persistência de vermelhidão ou dor.

Descarte:

Remova todos os derramamentos com material absorvente. Ventile a área com derramamento. Coloque o material contaminado em um recipiente descartável e descarte de forma consistente com os regulamentos locais.

Proteção ao meio ambiente:

Coleta seletiva. Esse produto não pode ser descartado no lixo comum. Se desejar um dia substituir o seu produto ou não quiser mais usá-lo futuramente, então não o descarte no lixo comum.

Leve-o a um posto de coleta seletiva. Coleta seletiva de produtos e embalagens usadas permite que materiais sejam reciclados e reutilizados novamente. A reutilização de materiais reciclados ajuda a prevenir a poluição ambiental e reduzir a demanda de matéria-prima. Os órgãos de regulamentações locais podem fornecer a coleta seletiva de produtos elétricos, em lixeiras municipais ou pelo vendedor ao comprar um produto novo. Você pode encontrar um representante autorizado de assistência técnica mais próximo de vosso local, contactando a sede mais próxima da STANLEY Engineered Fastening no endereço indicado neste manual. Em alternativa, acesse a página da internet para obter uma lista de representantes autorizados de assistência técnica da e detalhes completos de assistência pós-venda e contatos em: www.StanleyEngineeredFastening.com

Fogo:

PONTO DE IGNIÇÃO: 200°C.

Extintuir com pó seco, químico, espuma ou dióxido de carbono. Não entre em espaço confinado sem o equipamento respiratório individual.

Manuseio:

Use creme de proteção ou luvas resistentes a óleo.

Armazenamento:

Coberto e consistente com os regulamentos locais para material inflamável.

7.2 GRAXA MOLÍLÍCIO EP 3753 - DADOS DE SEGURANÇA

Pode encomendar a graxa como um artigo único, o número de peça se encontra no Conjunto de Manutenção na página 51.

PRIMEIROS SOCORROS

PELE:

Como a graxa é completamente resistente a água, é melhor remover com um creme de limpeza de pele emulsionante aprovado.

INGESTÃO:

Se certifique que tem bebidas individuais 30ml de Leite de Magnésio, preferencialmente em um copo de leite.

OLHOS:

Irritante mas não prejudicial. Irrigue com água e procure um médico.

FOGO

PONTO DE IGNIÇÃO: Acima de 220°C.

Não classificado como inflamável.

Agente de extinção apropriado: CO₂, Halon ou pulverização de água se aplicado por um operador experiente.

MEIO-AMBIENTE

Recolha para incineração ou descarte em local aprovado.

MANUSEIO

Use creme de proteção ou luvas resistentes a óleo

ARMAZENAMENTO

Afastado de agentes de calor e oxidação.

7.3 GRAXA MOLYKOTE® 111 - DADOS DE SEGURANÇA

Pode encomendar a graxa como um artigo único, o número de peça se encontra no Conjunto de Manutenção na página 51.

PRIMEIROS SOCORROS

PELE:

Não é necessário primeiros socorros.

INGESTÃO:

Não é necessário primeiros socorros.

OLHOS:

Não é necessário primeiros socorros.

INALAÇÃO:

Não é necessário primeiros socorros.

FOGO

PONTO DE IGNIÇÃO: Superior a 101.1°C. (Tampa fechada)

Propriedades Explosivas: Não

Agente de extinção apropriado: Espuma de Dióxido de Carbono, Pó Seco ou pulverizador fino de água. Se pode usar água para resfriar contêineres expostos a fogo.

MEIO-AMBIENTE

Não se prevê efeitos adversos.

MANUSEIO

Se recomenda ventilação geral. Evite contato com os olhos.

ARMAZENAMENTO

Não guarde junto com agentes oxidantes. Mantenha o contêiner fechado e guarde afastado de água ou umidade.

8. DECLARAÇÃO EC DE INCORPORAÇÃO DO MAQUINÁRIO PARCIALMENTE CONCLUÍDO

Nós da **Stanley House, Works Road, Letchworth Garden City, Hertfordshire, SG6 1JY UNITED KINGDOM**, declaramos por nossa completa responsabilidade, que o produto:

Descrição: 71501 Módulo hidropneumático para rebites cegos

Modelo: 71501

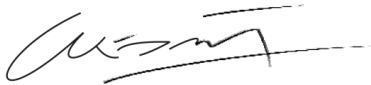
ao qual esta declaração se refere, está em conformidade com as seguintes normas harmonizadas:

ISO 12100:2010	EN ISO 11148-1:2011
EN ISO 4413:2010	ES100118-rev 17:2017

Documentação técnica está compilada em conformidade com o Anexo VII, seção B, em acordo com a seguinte diretriz: **2006/42/CE A Diretiva de Máquinas** (Instrumentos do Estatuto 2008 No. 1597 - Regulações de Fornecimento de Máquinas (Segurança)).

Todos os requisitos básicos de segurança e proteção da saúde da Diretriz 2006/42/EC são atendidos até a célula de interface descrita nas instruções operacionais, Seção 3 e 4.

O abaixo assinado faz essa declaração em representação da STANLEY Engineered Fastening



A. K. Seewraj

Diretor de Engenharia, Reino Unido

Avdel UK Limited, Stanley House, Works Road, Letchworth Garden City, Hertfordshire, SG6 1JY UNITED KINGDOM

Local de publicação: Letchworth Garden City, UK

Data de publicação: 01-01-2021

O abaixo assinado é responsável pelo preenchimento do arquivo técnico para produtos vendidos na União Europeia e faz essa declaração em nome da Stanley Engineered Fastening.

Matthias Appel

Líder da Equipe de Documentação Técnica

Stanley Engineered Fastening, Tucker GmbH, Max-Eyth-Str.1, 35394 Gießen, Alemanha

Essa maquinaria está em conformidade com a Diretiva de Máquinas 2006/42/CE

9. DECLARAÇÃO UK DE INCORPORAÇÃO DO MAQUINÁRIO PARCIALMENTE CONCLUÍDO

Nós da **Stanley House, Works Road, Letchworth Garden City, Hertfordshire, SG6 1JY UNITED KINGDOM**, declaramos por nossa completa responsabilidade, que o produto:

Descrição: 71501 Módulo hidropneumático para rebites cegos

Modelo: 71501

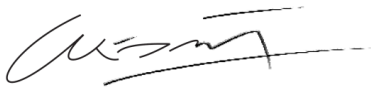
ao qual esta declaração se refere, está em conformidade com as seguintes normas indicadas:

ISO 12100:2010	EN ISO 11148-1:2011
EN ISO 4413:2010	ES100118-rev 17:2017

A documentação técnica é preenchida de acordo com os Regulamentos de Fornecimento de Equipamentos (Segurança) 2008, S.I. 2008/1597 (e alterações).

Todos os requisitos básicos de segurança e proteção da saúde do Regulamento de Fornecimento de Maquinário (Segurança) 2008, S.I. 2008/1597 (conforme alterações) são atendidos até a célula de interface descrita nas instruções operacionais, Seção 3 e 4.

O abaixo assinado faz essa declaração em representação da STANLEY Engineered Fastening



A. K. Seewraj

Diretor de Engenharia, Reino Unido

Avdel UK Limited, Stanley House, Works Road, Letchworth Garden City, Hertfordshire, SG6 1JY UNITED KINGDOM

Local de publicação: Letchworth Garden City, UK

Data de publicação: 01-01-2021

Essa maquinaria está em conformidade com Regulamentos do Suprimento de Máquinas (Segurança) 2008, S.I. 2008/1597 (e alterações)

10. PROTEJA O SEU INVESTIMENTO!

Stanley® Engineered Fastening GARANTIA DE FERRAMENTA DE REBITES CEGOS

STANLEY® Engineered Fastening garante que todas as máquinas elétricas foram cuidadosamente fabricadas e não apresentarão defeitos de material nem de fabricação no seu uso normal e para serviços por um período de um (1) ano.

Esta garantia aplica-se ao primeiro comprador da máquina e apenas ao seu uso original.

Exclusões:

Uso e desgaste normal.

Manutenções periódicas, reparos e reposições de peças devido ao uso e ao desgaste normal estão excluídos da cobertura da garantia.

Abuso & Uso Indevido.

Defeitos ou danos resultados de operação incorreta, armazenamento e uso indevidos ou abuso, acidente ou negligência, como danos físicos, estão excluídos da cobertura da garantia.

Modificação ou Manutenção Não Autorizada.

Defeitos ou danos resultantes de operações, testes, ajustes, instalações, manutenções, alterações ou modificações de qualquer forma não realizadas pelo pessoal da STANLEY® Engineered Fastening, ou de seus centros de serviços autorizados, estão excluídos da cobertura da garantia.

Todas as outras garantias, explícitas ou implícitas, incluindo quaisquer garantias de comercialização ou adequação para qualquer propósito, estão excluídas.

Se a máquina não atende aos requisitos de garantia, devolva-a imediatamente ao nosso centro de serviços autorizados de fábrica mais próximo. Para uma lista de postos de assistências técnica autorizados da STANLEY® nos EUA ou Canadá, entre em contato conosco pelo número gratuito (877)364 2781.

Fora dos EUA e Canada, visite o nosso website **www.StanleyEngineeredFastening.com** para encontrar o centro de serviços STANLEY Engineered Fastening mais próximo.

A STANLEY Engineered Fastening trocará então, gratuitamente, qualquer peça ou peças, as quais apresentam defeitos devido a uma falha de material ou de fabricação e, devolverá a máquina pré-paga. Isto representa nossa obrigação única sob esta garantia.

Em nenhuma circunstância a STANLEY Engineered Fastening deverá ser responsabilizada por quaisquer danos resultantes ou especiais oriundos da compra ou uso desta máquina.

Registre sua Rebitadeira on-line.

Para registrar a sua garantia on-line, acesse:

<https://www.stanleyengineeredfastening.com/support/warranty-registration-form>

Agradecemos por escolher uma ferramenta da marca STANLEY® Engineered Fastening de tecnologias Stanley.

STANLEY
Engineered Fastening

STANLEY Engineered Fastening

STANLEY House, Works Road
Letchworth Garden City
Hertfordshire, United Kingdom
SG6 1JY
Tel: +44 1582 900 000
Fax: +44 1582 900 001



Holding your world together®

Find your closest STANLEY Engineered Fastening location on
www.stanleyEngineeredFastening.com/contact
For an authorized distributor nearby please check
www.stanleyEngineeredFastening.com/econtact/distributors

Manual Number	Issue	C/N
07900-09701_NA	A	21/099

STANLEY
Assembly Technologies

Stanley Engineered Fastening — a division of Stanley Black and Decker — is the global leader in precision fastening and assembly solutions. Our industry-leading brands, Avdel®, Integra™, Nelson®, Optia™, POP®, Stanley® Assembly Technologies, and Tucker®, elevate what our customers create. Backed by a team of passionate and responsive problem-solvers, we empower engineers who are changing the world.

STANLEY ENGINEERED FASTENING FAMILY OF BRANDS

AVDEL

INTEGRA

NELSON

OPTIA

POP

STANLEY
Assembly Technologies

TUCKER